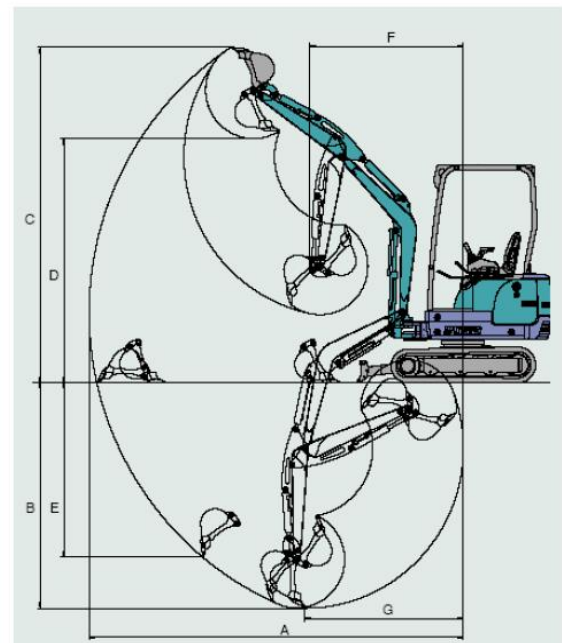


GEHLMAX Mini Excavator IHI 16 NXT

ENGINE	3 TNE68-EIK
Manufacturer	YANMAR
Cylinder/Displacement (cm³)	3/784
Power output (hp/ kW)	13.2/9.7
Fuel Reservoir (L)	20
HYDRAULICS	
Flow Rate (L/min)	2 x 17.2 + 12
System Pressure (bar)	210
Drive Hydraulics (bar)	210
Aux. Hydraulics (L/min)	29.2
WEIGHT	
with Canopy (kg)	1.640
with Cabin (kg)	1.800
MISC	
Groundpressure (kg/cm²)	0.29
Gradability % (°)	58 (30)
Slewing Speed (rpm/min)	9.4
Slewing Radius (left/right °)	55/80
Travel Speed (km/h)	2.1/4.2
Break-out Force (kN)	15.7



Measurements 16N	
A.	3.940 mm*
B.	2.360 mm*
C.	3.500 mm*
D.	2.520 mm*
E.	1.810 mm*
F.	1.573 mm*