

FIAT-HITACHI

COMPACT LINE



NET FLYWHEEL POWER

17 kW / 23 HP

OPERATING WEIGHT (max)

2980 Kg

BUCKET CAPACITY

0.055 - 0.13 m³

EX29U

MAIN DATA

Net flywheel power (SAE J 1349)	17 kW / 23 HP
Net flywheel power (DIN 6271)	17 kW
Net flywheel power (ISO 9249)	17 kW
Net flywheel power (CEE 80/1269)	17 kW
Rated engine speed	2450 rpm
Operating weight (with rubber shoes):	
- with canopy	2850 kg
- with cab	2980 kg
Maximum digging depth	2650 mm
Transport length	4260 mm
Transport width	1550 mm
Transport height:	
- with canopy	2510 mm
- with cab	2600 mm

ENGINE

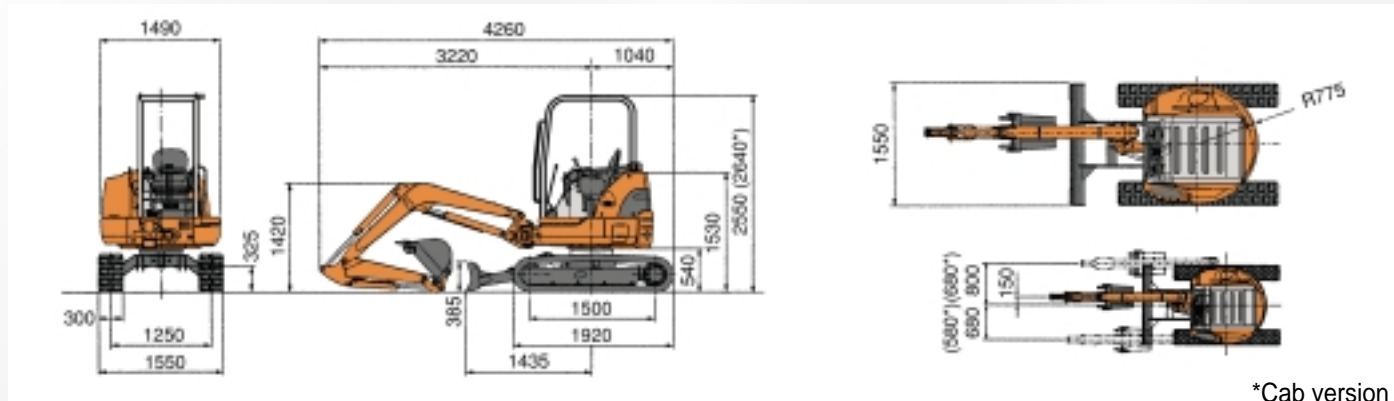
Make	ISUZU
Model	3LD1
Type	4 cycle, diesel
Cylinders	3
Displacement	1.496 litres

ELECTRICAL SYSTEM

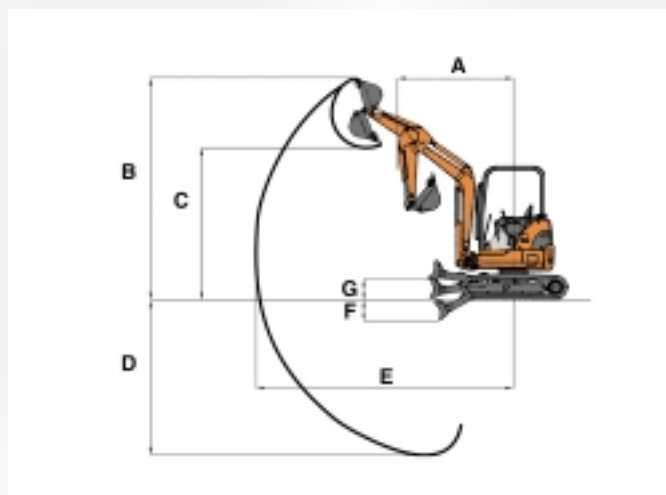
Voltage	12 V
Batteries	1 x 52 Ah

DIMENSIONS (mm)

(with 1170 mm dipperstick)



*Cab version



DIGGING PERFORMANCE

Dipperstick	mm	1170	
		cab	canopy
A	mm	2040	2040
B	mm	4240	4240
C	mm	3000	3000
D	mm	2650	2650
E	mm	4700	4700
F	mm	370	370
G	mm	330	330
Breakout force:			
- bucket	kN	22.6	
- dipperstick	kN	14.8	

BACKHOES

ISO 7451 capacity	Width	Width with side bits	Weight
m ³	mm	mm	Kg
0.055	300	350	61
0.065	350	400	64
0.08	400	450	67
0.09	450	500	71
0.10	500	550	74
0.11	550	600	78
0.13	600	650	82