

MT1530

SCP TURBO ULTRA

- Lifting height : 15 metres
 - Capacity : 3000 kg
- Maximum reach : 10.95 metres
 - Engine : 106 hp TURBO
- 4 wheel drive all - wheel steer
 - Torque convertor
 - Hydraulic stabilizers



MT 1530 S CP TURBO ULTRA

Reach at maximum height : 1.90 m



Lifting capacity : 3000 kg
at 500 mm from forks heel,
Tipping load at max reach
stab. retracted : 280 kg
stab. extended : 1140 kg



Lifting height : 15 m
Speed : (in m/mn)
lifting - unladen/loaded : 30.8/28.6
lowering - unladen/loaded : 44.3/51.6
1st boom
extension - unladen/loaded : 14.1/13.9
retraction - unladen/loaded : 23/22.5
2nd boom
extension - unladen/loaded : 16/15.3
retraction - unladen/loaded : 20.5/20
3rd boom
extension - unladen/loaded : 14/13.8
retraction - unladen/loaded : 15/14.5
Simultaneous extension of 1st and 2nd boom
unladen/loaded : 28/27.5
Simultaneous retraction of 1st and 2nd boom
unladen/loaded : 40.4/40



Tires
front : 18 x 19,5 Stabilarge T35 Dunlop
rear : 18 x 19,5 Stabilarge T35 Dunlop



Forks (in mm)
Length : 1 200
Width/thickness : 125 x 45
Max distance between forks : 1030
Total carriage tilting : 113°



Brakes with hydraulic assistance
on both axes



PERKINS Engine
Type : 1004.4 Turbo*
Capacity : 4 cyl. - 3990 cm³
Bore and stroke (mm) : 100 x 127
Power to DIN 70020 : 106 cv - 78 kw
to DIN 6270 B : 106 cv - 78 kw
Rated speed : 2 300 r.p.m
Max. torque : 349 N/m at 1800 r.p.m
Direct injection
Water cooling



Transmission : torque convertor
4 speed fwd and reverse
Hydraulic reversing shift
Maximum travel speed : 25 km/h.



Hydrostatic steering
Turn radius (centre of tyre) : 3.53 m
Outside turn radius (with forks) : 5.00 m



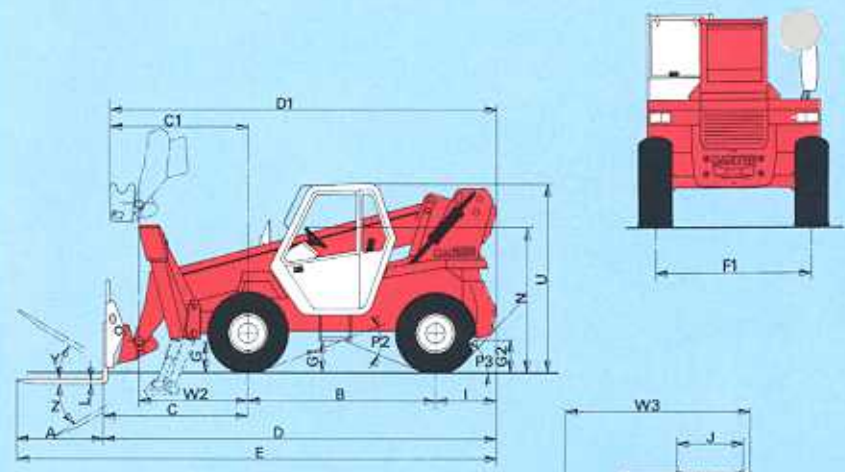
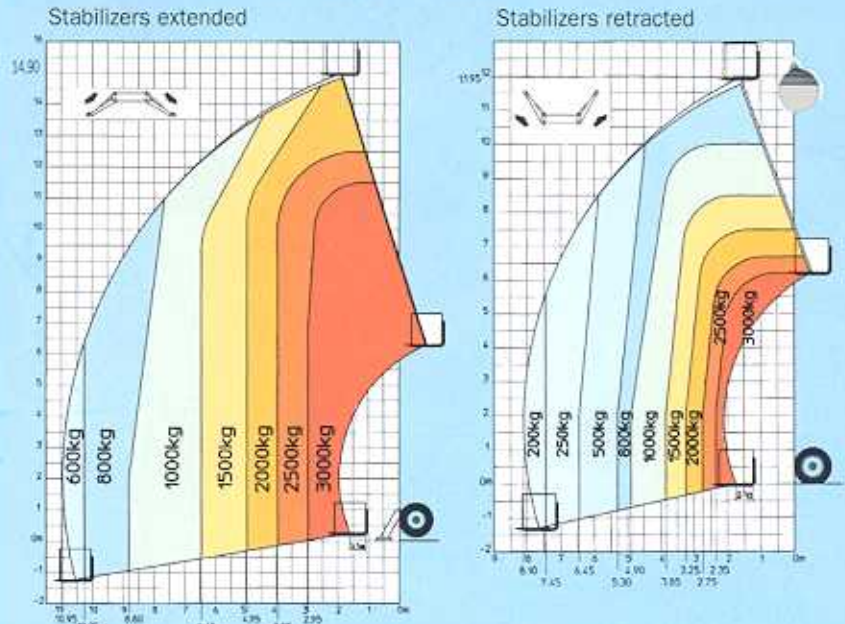
Hydraulics
Main pumps (lifting/tilting) 1st
gear type : 250 bars/230 bars / 83 l/mn
Steering pump
gear type : 175 bars / 50 l/mn



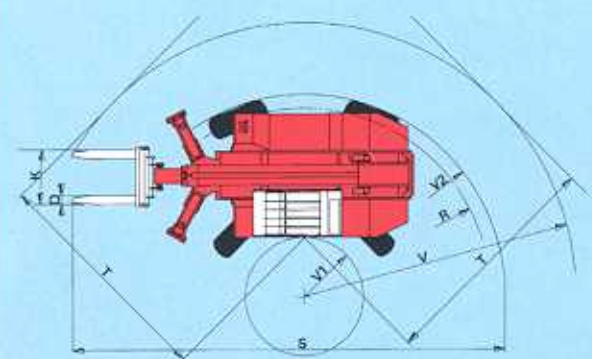
Capacities
Cooling system : 15 l.
Engine oil : 7.6 l.
Hydraulic oil : 195 l.
Transmission oil : 16 l.
Fuel tank : 85 l.



Total weight (unladen with forks) : 10 255 kg



	mm		mm
A	1200	N	1880
B	2500	O	125
C	1723	P ₂	38°
C ₁	1613	P ₃	45°
D	5243	R	3535
D ₁	5133	S	8075
E	6443	T	4150
F	1980	U	2600
F ₁	1980	V	5000
G	370	V ₁	1200
G ₁	480	V ₂	3775
G ₂	455	W	2450
G ₃	150	W ₁	4000
I	1020	W ₂	1250
J	750	W ₃	2450
K	1030	Y	11°
L	45	Z	102°



* Available without turbo.

Zeppelin Baumaschinen GmbH
Geschäftsbereich Gabelstapler
Niederlassung Mülheim
Rheinstraße 46 - Tel. 02 08 - 5 80 09-0
45478 Mülheim a. d. Ruhr



The power of imagination
B.P. 249 - 44158 ANCENIS CEDEX FRANCE
TEL. 40 09 10 11
EXPORT DEPARTMENT FAX 40 09 10 97
SPARE PARTS FAX 40 09 10 99
TELEX 710 521