

MANISCOPIC


■ MT 940 LT


- Lifting height : 8.97 m
- Capacity : 4000 kg
- Maximum forward reach : 5.32 m
- Torque convertor
- FRAME LEVELLING 10°/10°





 **MANITOU**

MT 940 LT


 **Lift capacity**4000 kg
 at 500 mm from forks heels
 Tipping load
 at maximum reach1342 kg
 Tear out force with toothed digging bucket
 to ISO 8313 with tilting ram7000 daN


 **Lift height**8.97 m
Times : unladen/laden (in s)
 Lifting12/12.5
 Lowering8.5/8
 Boom extension13/13
 Boom retraction7.2/6.7
 Time unladen (in s)
 Crowd4.6
 Dump3.7


 **Tyres**
 15,5/80 - 24 16PR SGI

 **Forks** (mm)
 Length1200
 Width x thickness125 x 50
 Maximum distance between forks1040
 Carriage rotation141°


 **Multidisc brakes hydraulically assisted on both axles**

 **Perkins engine**
 Type : 1104 C - 44 T4 cyl. 4400 cm³
 Power (ISO TR 14396)101 HP/74,5 kw
 Maximum torque412 Nm at 1400 rpm
 Direct injection
 Water cooling

 **Transmission**Torque convertor
 Electro - hydraulic reversing shift
 4 speeds forward and reverse
 Maximum travel speed25 km/h

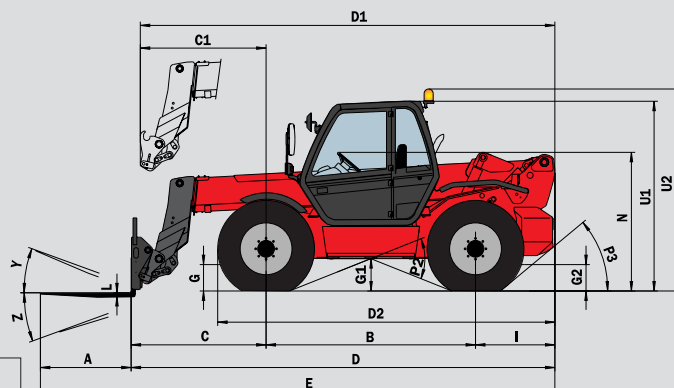
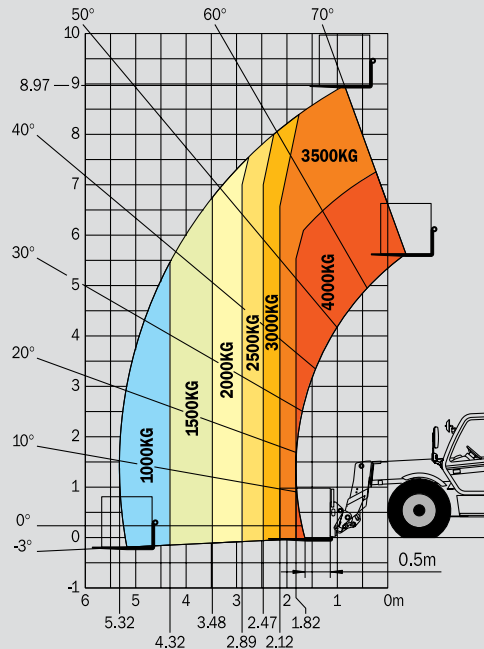
 **Hydraulics**
 Lifting/tilting pump
 Gear type96 l./mn - 250 bars
 Flow divider with loadsensing device driving and braking

 **Capacities**
 Cooling system18.5 l.
 Engine oil11 l.
 Equipment hydraulic oil120 l.
 Transmission oil16 l.
 Fuel tank135 l.

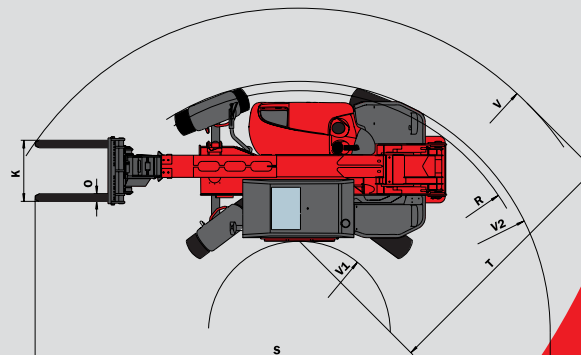
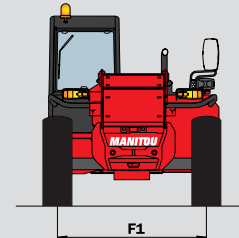
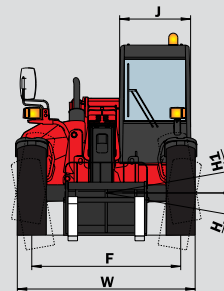
 **Weight unladen** (with forks)8970 kg
Overall width2.39 m
Overall height2.59 m
Turning radius (outside wheels)4.15 m
Overall length5.64 m
Ground clearance0.46 m
Drawbar pull8600 daN

Reach at maximum height : 0,65 m

Under
 EN 1459
 annexe B



MT 940 LT	
A	1200
B	2770
C	1819
C1	1893
D	5639
D1	5713
D2	4420
E	6839
F	1990
F1	1990
G	465
G1	460
G2	465
H	10°
H1	10°
I	1050
J	950
K	1040
L	50
N	1865
O	125
P2	43,5°
P3	40°
R	3950
S	8554
T	3960
U1	2590
U2	2770
V	5430
V1	1470
V2	4150
W	2390
Y	11°
Z	130°



This publication in no way constitutes an offer and the company reserves the right to alter specification without prior notice.
 The MANITOU models presented in this brochure can be supplied complete with optional equipment attachments.
 PATENTS FR 93 14367 - EP 0 656 315 - US PENDING

