

# MANISCOPIC

## ■ MT 523



- Maximum lifting height : 4,97 m
- Capacity : 2300 kg
- Maximum forward reach : 2,82 m
- Hydrostatic transmission

# MT 523

**Lifting capacity** .....2300 kg  
 at 500 mm from forks heels.  
 Tipping load  
 at maximum reach : .....1535 kg  
 Tear out force with bucket  
 to ISO 8313.....4050 daN

**Lifting height** : .....4.97 m  
 Times : unladen/loaded (in s)  
 Lifting .....6/6.7  
 Lowering .....4/4  
 Boom extension.....4.5/4.6  
 Boom retraction .....3/2.4  
 Time unladen (in s)  
 Crowd .....2.7  
 Dump .....2.3

**Tyres**  
 12.0 - 18 T86 12 PR

**Forks (mm)**  
 Length.....1200  
 Width x thickness.....125 x 40

**Oil bath multidisc brakes**

**Perkins engine**  
 Type .....1103C 33 3/3300 cm<sup>3</sup>  
 Power (ISO/TR 14396) .....58 HP/43 kw  
 Maximum torque.....222 Nm at 1400 tr/mn  
 Direct injection  
 Water cooling

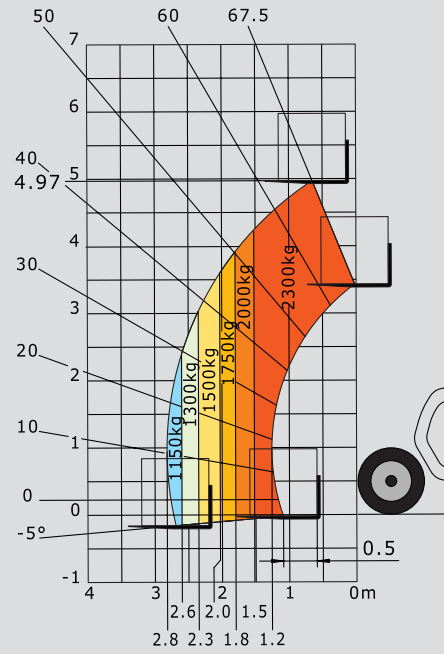
**Transmission** .....hydrostatic  
 Electro - hydraulic reversing shift  
 One speed forward and reverse

**Hydraulics**  
 Lifting/tilting pump :  
 gear type .....87 l./mn - 230 bars  
 Flow divider with priority to steering

**Capacities**  
 Cooling system.....24 l.  
 Transmission oil.....123 l.  
 Engine oil .....6.9 l.  
 Fuel tank.....94 l.

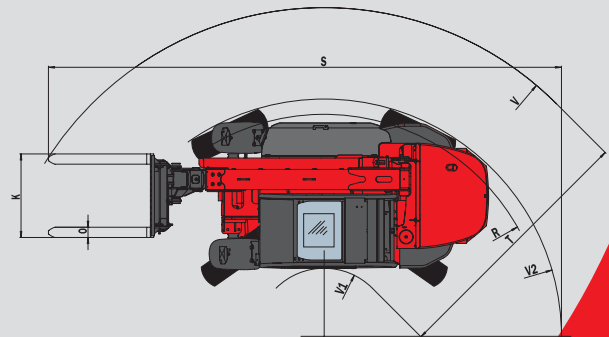
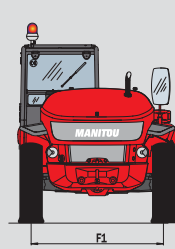
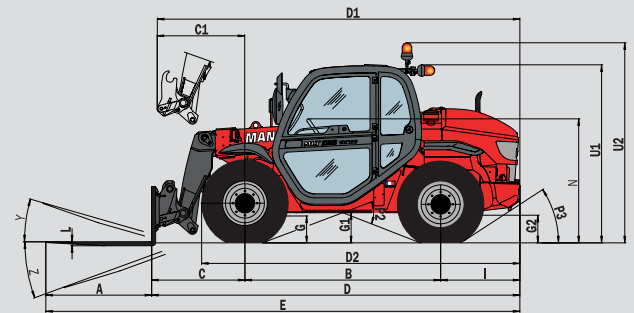
**Weight unladen (with forks)**.....5020 kg  
**Overall width** .....1.81 m  
**Overall height** .....1.99 m  
**Turning radius (outside wheels)** .....3.10 m  
**Length up to carriage**.....4.20 m  
**Ground clearance**.....0.30 m  
**Drawbar pull**.....3400 daN

## Reach at maximum height : 0,64 m



Under EN 1459 annexe B

MT 523	
Atmo	
A	1200
B	2230
C	1066
C1	1005
D	4201
D1	4140
D2	3604
E	5401
F	1500
F1	1500
G	290
G1	335
G2	305
I	905
J	865
K	1040
L	40
N	1390
O	125
P2	39°
P3	31°
R	2875
S	6470
T	3125
U1	1990
U2	2280
V	4130
V1	1005
V2	3090
W	1815
Y	12°
Z	120.2°



(mm)

This publication in no way constitutes an offer and the company reserves the right to alter specification without prior notice. The MANITOU models presented in this brochure can be supplied complete with optional equipment attachments.

