

# MANISCOPIC


■ MRT 1842  
*M Series*




- Lift height : 17.80 m
- Max. reach : 14.50 m
- Engine : 101 HP - 74.5 kw
- 4 wheel drive - 4 wheel steer
- Hydrostatic transmission


 **MANITOU**


## MRT 1842 *M Series*


 Lift capacity (on stabilisers) .....4200 kg  
at 500 mm from forks heels


 Lift height : .....17.80 m


 Tyres  
18 - 22,5 16 PR


 Forks (mm)  
Length.....1200  
Width x thickness .....125 X 50


 Multidisc brakes : hydraulically assisted on both axes  
Negative parking brake

 Engine PERKI NS  
Type .....1104 C 44 T  
Capacity.....4 cyl. 4400 cm  
Power (ISO/TR 1439 6) .....101 HP/74.5 kw  
at 2300 rpm  
Water cooling  
Direct injection


 Transmission .....hydrostatic  
With automatic power regulation (hydraulic variable displacement pump and motor)  
Reversing shift.....electromagnetic  
2 speed forward and reverse  
Travel speed .....32 km/h\*  
\* This speed may be limited by local regulations

 Rear axle  
Automatic rear axle locking system  
over 15° rotation


 4 stabilisers  
simultaneous or individually controlled


 Rotation through 400°  
Turret mounted on a double slew ring

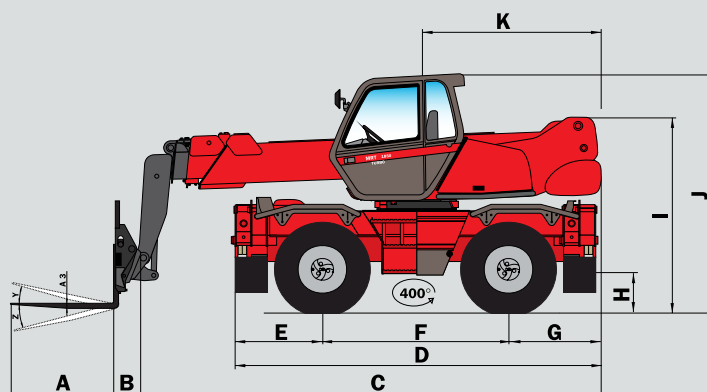
 Hydraulics  
2 pumps gear type .....270 bars/115 l/mn

 Control : 2 electro proportional control joysticks for all hydraulic movements

 Capacities  
Cooling system .....15 l.  
Engine oil .....8.1 l.  
Hydraulic oil .....140 l.  
Fuel tank .....130 l.

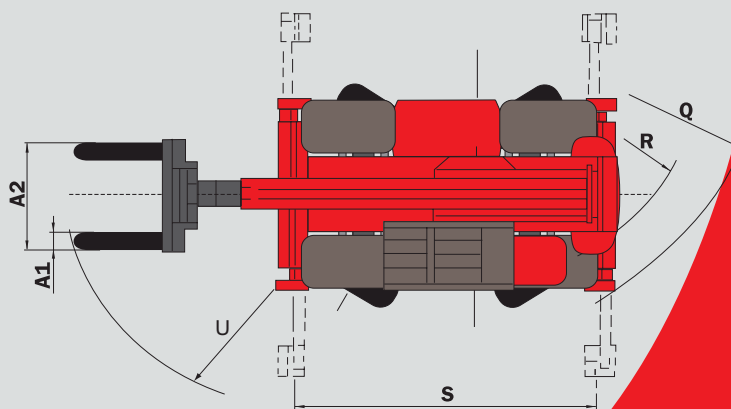
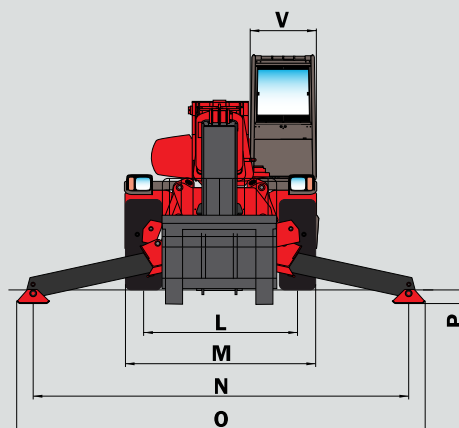
 Weight unladen (with forks) .....14600 kg  
Overall width.....2.43 m  
Overall height .....3.02 m  
Overall length.....6.07 m  
Ground clearance .....0.46 m  
Draw bar pull .....8600 daN

 Standard load moment indicator  
(mobile crane standards)



A	1200
A1	150
A2	1320
A3	50
B	290
C	5785
D	4630
E	1155
F	2320
G	1155
H	460
I	2410
J	3025
K	2040
L	1930
M	2425
N	4100
O	4500
P	200
Q	4000
R	3410
S	4100
U	5720
V	950
Y	12°
Z	105°

mm



This publication in no way constitutes an offer and the company reserves the right to alter specification without prior notice.

The MANITOU models presented in this brochure can be supplied complete with optional equipment attachments.



MANITOU BF

B.P. 249 - 44158 Ancenis Cedex France - Tél. : 33 (0) 2 40 09 10 11  
Fax commercial france : 02 40 09 10 96 / Export : 33 2 40 09 10 97  
www.manitou.com

02/2009

