

# KOBELCO®

*Your competitive edge.*

<b>35SR-2</b>	
<b>WT</b>	8,046 lbs
<b>HP</b>	23.7 SAE NET @ 2400 RPM
<b>BKT CAP</b>	2.13-6.6 cu ft.



**35SR-2**

**SHORT RADIUS** Compact Excavator

# FEATURES

## SPECIFICATIONS

Engine Make and Model	Yanmar		3TNE82A
Displacement	in <sup>3</sup> (l)	81.2	(1.33)
Hydraulic Pump	no & type	4	2VP+2FG
Hydraulic System Oil Capacity	gal (l)	12.7	(48)
Rated Oil Flow	gpm (lpm)	2x9.2+6.7+3.2	(2x34.8+25.4+12.1)
Auxiliary Flow	gpm (lpm)	15.9	(60.2)
Operating Pressures:			
Implement/Travel/Dozer/Swing psi (mPa)		3,278	(22.6)
Bucket Digging Force - SAE	lbf (kN)	5,745	(52.9)
	- ISO lbf (kN)	6,383	(58.8)
Arm Crowding Force - SAE	lbf (kN)	4,002	(34.3)
	- ISO lbf (kN)	4,084	(35.0)
Drawbar Pull	lbf (kN)	8,820	(39.2)
Travel Speed - high/low	mph (kmh)	2.5/1.6	(4.0/2.5)
Gradeability	% (deg)	58%	(30)
Swing Speed	rev/min	8.6	
Fuel Tank Capacity	gal (l)	10	(38)

## DIMENSIONS

ARM LENGTH		4' 4"	(1.32 m)
A	Overall length	15' 6"	(4.72 m)
B	Overall width	5' 7"	(1.7 m)
C	Overall height (to top of canopy)	8' 3"	(2.50 m)
D	Basic machine length	8' 6"	(2.58 m)
E	Ground clearance of rear end*	1' 10"	(.57 m)
F	Center distance of tumbler	5' 7"	(1.70 m)
G	Overall length of crawler	7' 1"	(2.15 m)
H	Track gauge	4' 7"	(1.40 m)
I	Width of crawler shoe (rubber)	11.81"	(.30 m)
J	Ground clearance of undercarriage	12.6"	(.32 m)
K	Tail swing radius	2' 9"	(.85 m)
L	Tail swing overhang (not shown)	0' 0"	(0 m)

\* Excludes height of grouser bar.



### Versatility

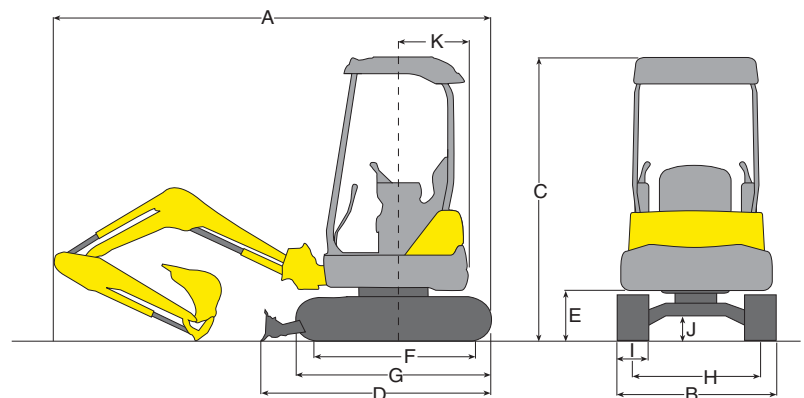
Kobelco's "zero tail swing" feature, shown to the left, allows the 35SR-2 to easily move, and work, in tight places without damaging the machine or the job site. Combined single or bi-directional auxiliary hydraulics and piping allow use of attachments such as hammers, thumbs and augers. The boom's ability to swing 60 degrees to the right and 70 degrees to the left helps in digging around obstacles

and against walls. Rubber tracks minimize damage to paved sidewalks and driveways, as well as decrease noise levels. The dozer blade easily handles back-filling and grading tasks, and the hydraulic system allows you to multi-function while operating. With all of these features, the 35SR-2 is ready for any job, be it construction, landscaping or demolition.

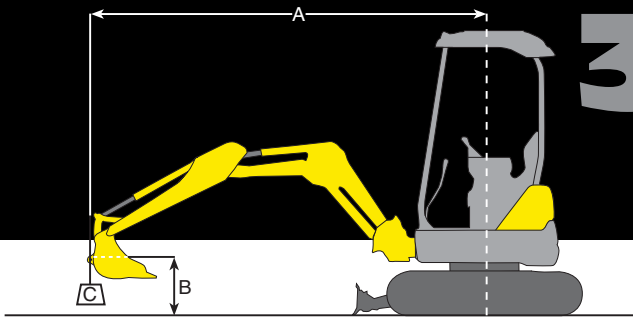


### Operator Friendly

Kobelco has gone to great lengths to offer a smooth operating machine by providing features such as tandem in-line pumps and collared arm bushings. An exclusive third button on the left-hand joystick controls the boom centerswing, and a hand or foot pedal controls the auxiliary hydraulic port for use with a variety of attachments. A control pattern changer lets the operator easily switch from the ISO to TLB pattern. A sturdy ROPS/FOPS four post canopy is provided as standard equipment to protect the operator from the elements, as well as jobsite hazards. Armrests, as well as raised, semi-long control levers provide for low-effort operation, and all major components are accessible by hinged panels located throughout the machine, making service quick and easy.



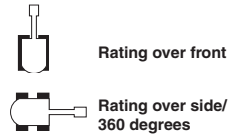
# 35SR-2



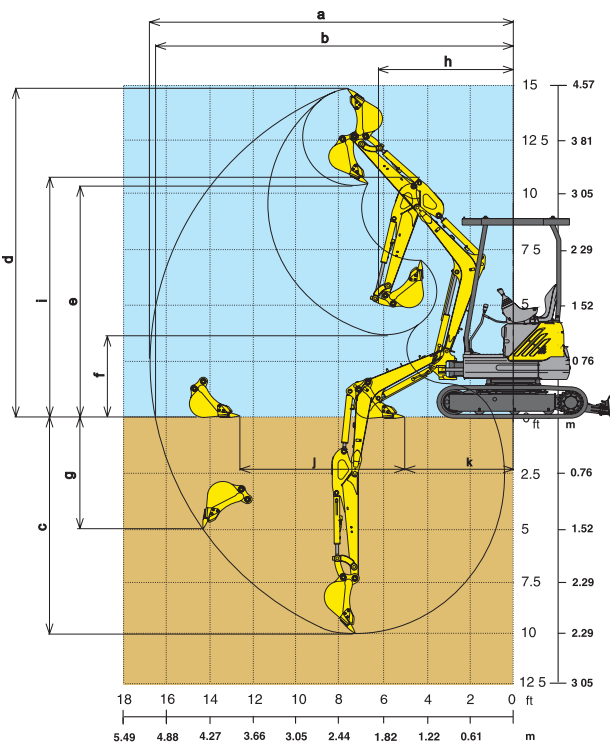
## LIFTING CAPACITIES

Blade Down with Canopy

A		35SR-2 Arm: 4' 4" (1.32 m) Bucket: 3.9 cu. ft. (0.11 m <sup>3</sup> ) 200 lb (91 kg)							
		5.0' (1.5 m)		7.5' (2.3 m)		10' (3.0 m)		12.5' (3.8 m)	
B									
	10'	lb							*1,310
(3.0 m)	kg							*590	510
7.5'	lb							*1,390	1,120
(2.3 m)	kg							*630	500
5'	lb			*2,880	2,470	*1,940	1,550	*1,590	1,070
(1.5 m)	kg			*1,300	1,120	*880	700	*720	480
2.5'	lb			*3,950	2,260	*2,410	1,450	*1,800	1,020
(0.8 m)	kg			*1,790	1,020	*1,090	660	*820	460
Ground Level	lb	*2,570	*2,570	*4,240	2,190	*2,680	1,390	*1,950	990
	kg	*1,160	*1,160	*1,920	990	*1,210	630	*880	450
-2.5'	lb	*4,060	*4,060	*4,060	2,190	*2,680	1,380	*1,930	980
(-0.8 m)	kg	*1,840	*1,840	*1,840	990	*1,210	620	*870	440
-5'	lb	*5,680	4,830	*3,500	2,220	*2,360	1,400		
(-1.5 m)	kg	*2,570	2,190	*1,580	1,010	*1,070	630		
-7.5'	lb	*3,690	*3,690	*2,270	*2,270				
(-2.3 m)	kg	*1,670	*1,670	*1,030	*1,030				



- A Reach swing centerline to bucket hook
  - B Bucket hook height above/below ground
  - C Lifting capacities in pounds and kilograms
  - Max discharge pressure: 3,278 psi (22.6 mPa)
  - Track shoe: 11.81" (.30 m) Rubber
  - Boom: 8' 2" (2.50 m)
- Notes:**
- Do not attempt to lift or hold any load that exceeds these rated values at their specified load radii and heights.
  - Lifting capacities assume a machine standing on a level, firm, and uniform supporting surface. Operator must make allowance for job conditions such as soft or uneven ground, out of level conditions, side loads, sudden stopping of loads, hazardous conditions, inexperienced personnel, weight of various other buckets, lifting slings, attachments, etc.
  - Ratings at bucket lift hook.
  - The previous rated loads are in compliance with SAE Hydraulic Excavator Lift Capacity Standard J 1097. They do not exceed 87% of hydraulic lifting capacity or 75% of tipping load. Rated loads marked with an asterisk (\*) are limited by hydraulic capacity rather than tipping load.
  - Operator should be fully acquainted with the operator's manual before operating this machine. Rules for safe operation of equipment should be followed at all times.
  - Capacities apply only to the machine as originally manufactured and normally equipped by KOBELCO Construction Machinery America LLC.



## WORKING RANGES

ATTACHMENT	4' 4" (1.32 m)
A Max digging reach	17' 0" (5.19 m)
B Max digging reach at ground level	16' 7" (5.06 m)
C Max digging depth*	10' 2" (3.11 m)
D Max digging height*	14' 5" (4.40 m)
E Max dumping clearance*	10' 7" (3.21 m)
F Min dumping clearance*	4' 0" (1.22 m)
G Max vertical wall digging depth*	4' 11" (1.51 m)
H Min front swing radius	7' 7" (2.31 m)
I Height at min. front swing radius	11' 7" (3.54 m)
J Horizontal digging distance - stroke	7' 10" (2.39 m)
K Horizontal digging distance - min	5' 5" (1.66 m)

\* Excludes height of grouser bar.

# 35SR-2

## STANDARD EQUIPMENT

- "Zero tail swing" counterweight does not extend beyond track width
- Rubber-tracks
- Combined single or bi-directional auxiliary hydraulics with piping & control
- Swing boom - 60° right 70° left
- Yanmar 3TNE82A 4 cycle, 3 cylinder water cooled swirl chamber diesel engine
- ROPS/FOPS 4 post canopy
- Arm rests
- Adjustable, cushioned and weatherproof operator seat
- Glow plugs starting aid
- 4' 4" arm
- Two axial piston type hydraulic pumps 2 x 9.2 gal/min
- Dozer/swing pump: fixed gear 1 x 6.7 gal/min
- Pilot pump: fixed gear 1 x 3.2 gal/min
- Two speed travel 2.8/1.6 mph. Switch on travel lever
- Full hydrostatic drive system (2 axial piston motors)
- Track tension adjustment (grease type)
- 12V electrical starting system. Includes heavy duty battery and starting motor
- Air cleaner (dry type) with indicator for replacement
- Hydraulic oil filter
- One touch engine decel
- Parking brake, automatically applied and released
- Two level control for arm, boom, bucket and swing
- Operator control pattern charger (ISO/TLB)
- Pilot operated wrist controls and foot pedals
- Fuel tank: 10 gal
- Display includes: engine oil pressure lamp, water temperature gauge, fuel gauge, hour meter, battery charge lamp, travel speed indicator lamp, air restrictor indicator lamp
- Hydraulic dozer blade with collapsible end sections.
- Operator's manual storage compartment
- Hinged engine cover
- Removable engine access cover below operator seat
- Right and left hinged access covers
- Sealed and lubricated track rollers
- Electric horn

## OPTIONAL EQUIPMENT

- ROPS/FOPS cab w/ heater
- Steel tracks
- Buckets
- Travel alarm

NOTE: Due to our policy of continual product improvement, all designs and specifications are subject to change without advance notice.

**KOBELCO®**  
*Your competitive edge.*

**Kobelco Construction Machinery America LLC**

245 E. North Avenue

Carol Stream, IL 60188-2021

866-726-3396 Toll Free

630-260-4000

630-260-4304 Fax

E-mail: [digin@kobelcoamerica.com](mailto:digin@kobelcoamerica.com)

Website: [www.kobelcoamerica.com](http://www.kobelcoamerica.com)



# 35SR-2