

Technical Description Hydraulic Excavator

A 900 C
Litronic®

Operating Weight 16,0 - 18,3 t
Engine Output 88 kW (120 HP)
Bucket Capacity 0,25 - 0,85 m³



LIEBHERR

Technical Data



Engine

Rating per ISO 9249	88 kW (120 HP) at 1800 RPM
Model	Liebherr D 924 TI-E
Type	4 cylinder in-line
Bore/Stroke	122/142 mm
Displacement	6,6 l
Engine operation	4-stroke diesel direct injection turbo-charged after-cooled reduced emissions
Cooling system	water-cooled and integrated motor oil cooler
Air cleaner	dry-type air cleaner with pre-cleaner, primary and safety elements
Fuel tank	300 l
Engine idling	sensor controlled
Electrical system	
Voltage	24 V
Batteries	2 x 92 Ah/12 V
Alternator	24 V/55 A



Hydraulic System

Hydraulic pump	Liebherr, variable displacement, swash-plate pump
Max. flow	270 l/min.
Max. hydr. pressure	350 bar
Hydraulic pump regulation and control	Liebherr-Synchro-Comfort-system (LSC) with electronic engine speed sensing regulation, pressure and flow compensation, load sensing and torque controlled swing drive priority
Hydraulic tank capacity	175 l
Hydraulic system capacity	max. 320 l
Filtration	one main return filter with integrated partial micro filtration (5 µm)
Cooling system	compact cooler, consisting of a water cooler, sandwiched with hydraulic oil cooler and after-cooler cores and hydrostatically driven fan
Modes	can also be adjusted by the operator to adjust engine and hydraulic performance to match job conditions (Note: All modes provide full max. power)
LIFT	for precise lifting tasks
FINE	for precision work at high speed i.e. grading
ECO	for most economic performance at best environmental conditions
POWER	for max. output
Super-Finish	additional operator adjustable work speed function for further increased feathering. Applies to all modes and all control functions
R.P.M. adjustment	stepless adjustment of engine output via the r.p.m.
Optional add on circuits	four preadjustable pump flows for add on tools



Hydraulic Controls

Power distribution	via control valve with integrated safety valves, simultaneous and independent operation of travel drive, swing drive and work
Control type	
Attachment and swing	proportional via joystick levers
Travel	proportional via foot pedal
Additional functions	via switch and/or proportional foot pedals



Swing Drive

Drive	Liebherr swashplate motor with torque control and integrated brake valve
Transmission	Liebherr compact planetary reduction gear
Swing ring	Liebherr sealed single race ball bearing swing ring, internal teeth
Swing speed	0–9,0 RPM
Swing torque	42 kNm
Holding brake	wet discs (spring applied – pressure released)
Option	pedal controlled positioning brake



Operator's Cab

Cab	resiliently mounted, sound insulated, tinted windows, front window stores overhead, door with sliding window
Operator's seat	fully adjustable, shockabsorbing suspension, adjustable to operator's weight and size, 6-way adjustable Liebherr seat
Joysticks	integrated into adjustable seat consoles
Monitoring	menu driven query of current operating conditions via the LCD display. Automatic monitoring, display, warning (acoustical and optical signal) and saving machine data, for example, engine overheating, low engine oil pressure or low hydraulic oil level
Air conditioning	standard air conditioning, combined cooler/heater, additional dust filter in fresh air/recirculated
Noise emission	
ISO 6396	L_{pA} (inside cab) = 72 dB(A)
2000/14/EC	L_{wA} (surround noise) = 98 dB(A)



Undercarriage

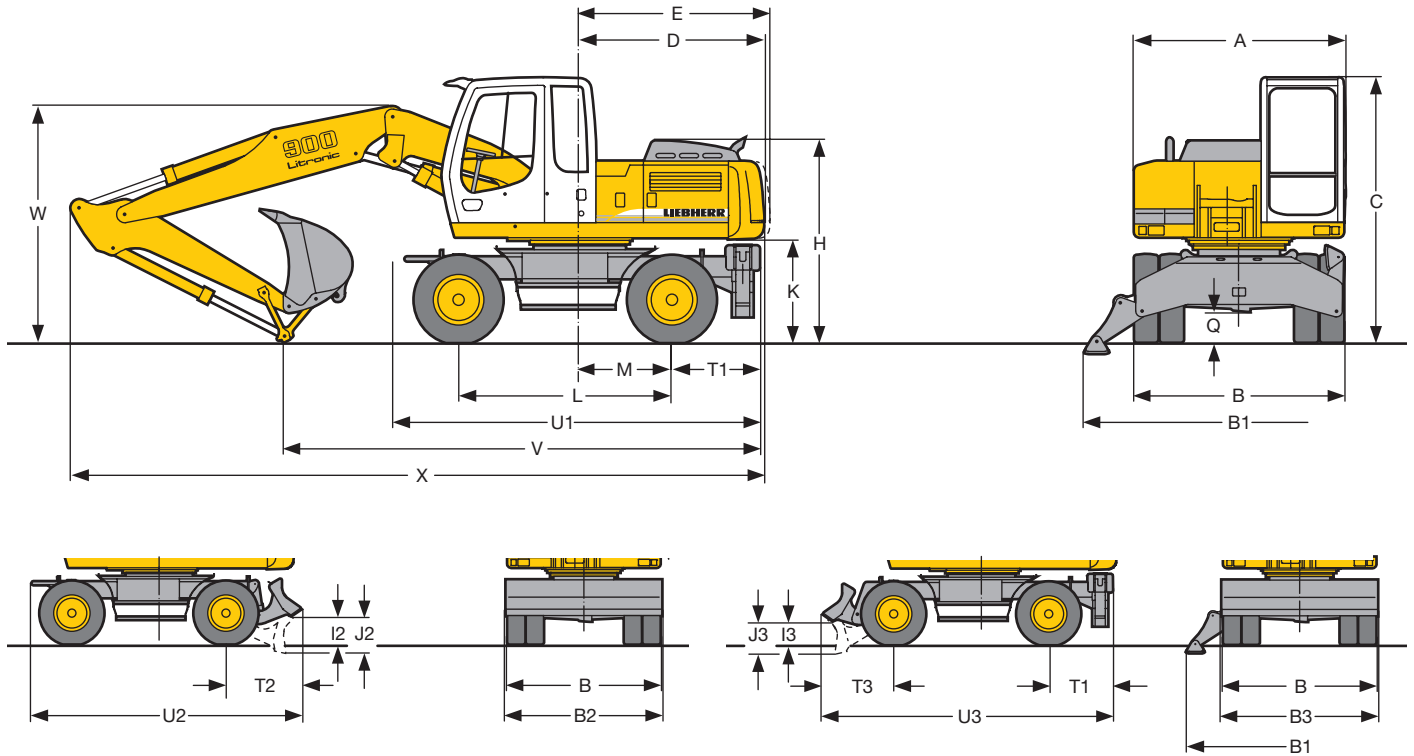
Drive	variable flow swashplate motor with automatic brake valve
Transmission	oversized two speed power shift transmission with additional creeper speed
Travel speed	0– 2,5 km/h (creeper speed off road) 0– 5,0 km/h (off road) 0– 9,0 km/h (creeper speed on road) 0–20,0 km/h (road travel) 0–28,0 km/h Speeder (Option)
Axles	32 t excavator axles; automatic or operator controlled front axle oscillation lock
Brakes	wet, maintenance-free multi disc brakes, opt: rigid axle with drum brakes. Spring applied/pressure released parking brake integrated into gear box
Stabilization	stabilizing blade (adjustable during travel for dozing), rear; 2-point outriggers, rear; stabilizing blade, front + 2 pt. outriggers, rear
Option	EW (extra wide gauge) undercarriage



Attachment

Hydraulic cylinders	Liebherr cylinders with special seal system. Shock absorption
Pivots	sealed, low maintenance
Lubrication	via grease distributor and a grease nipple installed on the uppercarriage
Bucket	standard equipped with 8 t safety hook for lifting
Option	Liebherr quick change adapter

Dimensions



	mm
A	2550
B	2500
B ²⁾	2660
B1	3690
B2	2550
B2 ²⁾	2750
B3	2550
C	3160
D	2200
D ¹⁾	2240
E	2275
E ¹⁾	2295
H	2400
I2	465
I3	390
J2	615
J3	545
K	1235
L	2540
M	1100
Q	370
T1	1050
T2	1225
T3	1155
U1	4235
U2	4415
U3	4745

¹⁾ with HD counterweight

²⁾ EW-undercarriage

E = Tail radius

Tires 10.00-20

	Stick m	Hydr. Adjustable Boom 3,40 m			Hydr. Adjustable Boom 3,60 m with HD Counterweight		
		stabil. blade mm	2 pt. outr. mm	blade + 2 pt. outr. mm	stabil. blade mm	2 pt. outr. mm	blade + 2 pt. outr. mm
V	2,25	5850	5700	5700	6000	5900	5900
	2,45	5750	5600	5600	6000	5800	5800
	2,65	5650	5500	5500	5900	5700	5700
W	2,25	2950	2950	2950	3000	3000	3000
	2,45	3000	3000	3000	3050	3050	3050
	2,65	3050	3050	3050	3100	3100	3100
X	2,25	8550	8400	8400	8750	8600	8650
	2,45	8550	8400	8400	8750	8650	8650
	2,65	8550	8400	8400	8700	8650	8650

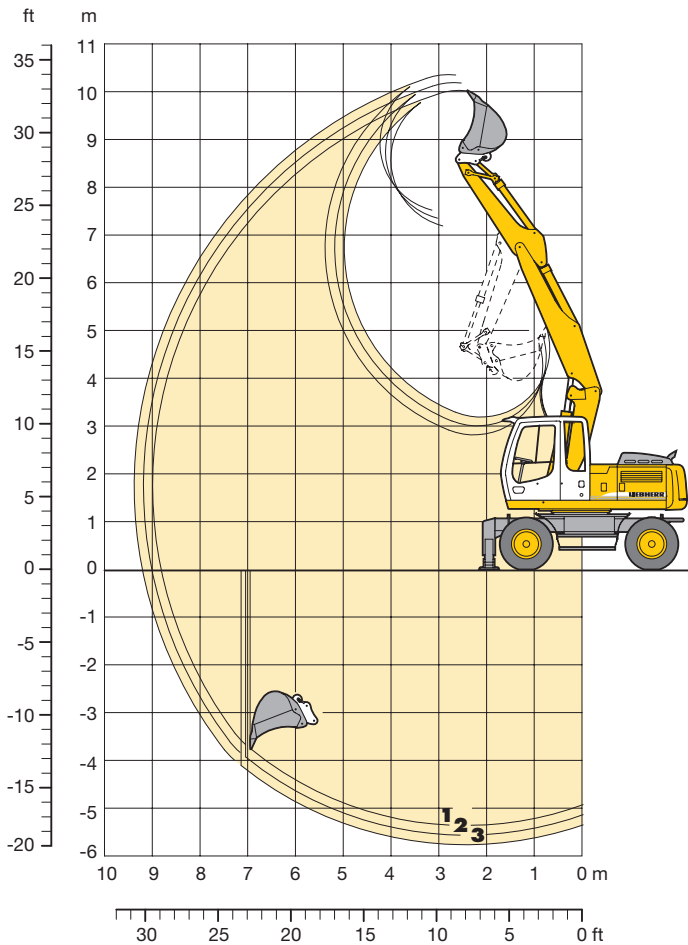
	Stick m	Gooseneck Boom 5,00 m			Gooseneck Boom 5,00 m with HD Counterweight		
		stabil. blade mm	2 pt. outr. mm	blade + 2 pt. outr. mm	stabil. blade mm	2 pt. outr. mm	blade + 2 pt. outr. mm
V	2,25	5600	5450	5450	5600	5450	5450
	2,45	5450	5300	5300*	5450	5300	5300*
	2,65	5300	5150	5600*	5300	5150	5600*
W	2,25	3000	3000	3000	3000	3000	3000
	2,45	3050	3050	3050*	3050	3050	3050*
	2,65	3100	3100	3100*	3100	3100	3100*
X	2,25	8450	8350	8350	8500	8400	8400
	2,45	8450	8350	8350*	8500	8400	8350*
	2,65	8450	8350	8750*	8500	8400	8750*

Dimensions are with attachment over steering axle

* Attachment over digging axle for shorter transport dimensions

Backhoe Attachment

with Hydr. Adjustable Boom 3,40 m



Digging Envelope

		1	2	3
Stick length	m	2,25	2,45	2,65
Max. digging depth	m	5,30	5,50	5,70
Max. reach at ground level	m	8,80	9,00	9,20
Max. dumping height	m	7,20	7,35	7,55
Max. teeth height	m	10,05	10,20	10,35
Max. digging force	kN	78,4	73,8	69,7
	t	8,0	7,5	7,1
Max. breakout force	kN	108,3	108,3	108,3
	t	11,0	11,0	11,0

Max. breakout force with ripper bucket 125,7 kN (12,8 t)
 Max. possible digging force (stick 1,70 m) 100,6 kN (10,3 t)

Operating Weight

The operating weight includes the basic machine with 8 tires plus spacer rings, hydr. adjustable boom 3,40 m, stick 2,25 m, quick change adapter 33 and bucket 850 mm/0,50 m³.

Undercarriage versions	Weight
A 900 C Litronic [®] with stabilizer blade	16500 kg
A 900 C Litronic [®] with 2 pt. outriggers	16600 kg
A 900 C Litronic [®] with stabil. blade + 2 pt. outr.	17450 kg
A 900 C EW Litronic [®] with stabilizer blade	16600 kg
A 900 C EW Litronic [®] with 2 pt. outriggers	16700 kg

Buckets

Cutting width	mm	390 ¹⁾	550	550 ²⁾	650	850	1050	1250
Capacity ISO 7451*	m ³	0,25	0,28	0,30	0,35	0,50	0,65	0,85
Max. material weight	t/m ³	1,8	1,8	1,8	1,8	1,8	1,8	1,2
Weights								
Standard bucket with Liebherr teeth Z 10 C	kg	–	310	–	330	400	470	520
Ripper bucket with Liebherr-teeth Z 13 P	kg	–	–	560	–	–	–	–
Bucket with ejector and Bofors-teeth	kg	360	–	–	–	–	–	–
For machine stability per ISO 10567 the max. stick length is:								
Stabilizers raised	m	2,65	2,65	2,65	2,65	2,65	2,25	2,25
Stabilizer blade down	m	2,65	2,65	2,65	2,65	2,65	2,65	2,65
2 point outriggers down	m	2,65	2,65	2,65	2,65	2,65	2,65	2,65
Stabilizer blade + 2 pt. outr. down	m	2,65	2,65	2,65	2,65	2,65	2,65	2,65
EW, stabilizers raised	m	2,65	2,65	2,65	2,65	2,65	2,45	2,65
EW, stabilizer blade down	m	2,65	2,65	2,65	2,65	2,65	2,65	2,65
EW, 2 point outriggers down	m	2,65	2,65	2,65	2,65	2,65	2,65	2,65

* comparable with SAE (heaped)

¹⁾ Bucket with ejector

²⁾ Ripper bucket

Lift Capacities A 900 C Litronic®

with Hydr. Adjustable Boom 3,40 m

Stick 2,25 m

Height (m)	Undercarriage	Radius of load from centerline of machine (m)			
		3,0	4,5	6,0	7,5
7,5	Stabilizers raised		3,7# (3,7#)		
	Stabil. blade down		3,7# (3,7#)		
	2 pt. outr. down		3,7# (3,7#)		
	Blade + 2 pt. down		3,7# (3,7#)		
6,0	Stabilizers raised		4,3 (4,7#)	2,7 (3,5#)	
	Stabil. blade down		4,7 (4,7#)	2,9 (3,5#)	
	2 pt. outr. down		4,7# (4,7#)	3,5# (3,5#)	
	Blade + 2 pt. down		4,7# (4,7#)	3,5# (3,5#)	
4,5	Stabilizers raised	6,2# (6,2#)	4,2 (5,7#)	2,7 (4,3)	
	Stabil. blade down	6,2# (6,2#)	4,6# (5,7#)	3,0 (4,8#)	
	2 pt. outr. down	6,2# (6,2#)	5,5 (5,7#)	3,6 (4,8#)	
	Blade + 2 pt. down	6,2# (6,2#)	5,7# (5,7#)	4,5 (4,8#)	
3,0	Stabilizers raised	7,3 (10,7#)	4,1 (6,4)	2,7 (4,2)	1,7 (2,9#)
	Stabil. blade down	8,0 (10,7#)	4,5 (6,7#)	3,0 (5,1#)	1,9 (3,0#)
	2 pt. outr. down	9,8 (10,7#)	5,3 (6,7#)	3,6 (5,1#)	2,4 (3,0#)
	Blade + 2 pt. down	10,7# (10,7#)	6,6 (6,7#)	4,4 (5,1#)	3,0# (3,0#)
1,5	Stabilizers raised	7,0# (10,9#)	4,1 (6,3)	2,6 (4,2)	1,7 (2,8)
	Stabil. blade down	7,8 (10,9#)	4,4 (7,5#)	2,8 (5,4#)	1,9 (3,8#)
	2 pt. outr. down	9,7 (10,9#)	5,3 (7,5#)	3,5 (5,4#)	2,3 (3,8#)
	Blade + 2 pt. down	10,9# (10,9#)	6,5 (7,5#)	4,4 (5,4#)	3,0# (3,8#)
0	Stabilizers raised	6,9 (11,7#)	3,9 (6,3)	2,4 (4,0)	1,6 (2,8)
	Stabil. blade down	7,9 (11,7#)	4,3 (7,6#)	2,7 (5,5#)	1,8 (3,0#)
	2 pt. outr. down	9,8 (11,7#)	5,3 (7,6#)	3,3 (5,5#)	2,3 (3,0#)
	Blade + 2 pt. down	11,7# (11,7#)	6,6 (7,6#)	4,2 (5,5#)	2,9 (3,0#)
-1,5	Stabilizers raised	6,6 (12,2)	3,6 (6,2)	2,2 (3,9)	
	Stabil. blade down	7,5 (12,5#)	4,1 (7,8#)	2,5 (5,5#)	
	2 pt. outr. down	9,7 (12,5#)	5,1 (7,8#)	3,2 (5,5#)	
	Blade + 2 pt. down	12,5# (12,5#)	6,5 (7,8#)	4,1 (5,5#)	
-3,0	Stabilizers raised	6,4 (12,4)	3,4 (6,0)	2,2 (3,3#)	
	Stabil. blade down	7,3 (12,6#)	3,8 (7,1#)	2,5 (3,3#)	
	2 pt. outr. down	9,5 (12,6#)	4,8 (7,1#)	3,1 (3,3#)	
	Blade + 2 pt. down	12,6# (12,6#)	6,3 (7,1#)	3,3# (3,3#)	
-4,5	Stabilizers raised				
	Stabil. blade down				
	2 pt. outr. down				
	Blade + 2 pt. down				

Stick 2,45 m

Height (m)	Undercarriage	Radius of load from centerline of machine (m)			
		3,0	4,5	6,0	7,5
7,5	Stabilizers raised		3,7# (3,7#)		
	Stabil. blade down		3,7# (3,7#)		
	2 pt. outr. down		3,7# (3,7#)		
	Blade + 2 pt. down		3,7# (3,7#)		
6,0	Stabilizers raised		4,3# (4,4#)	2,7 (3,5#)	
	Stabil. blade down		4,4# (4,4#)	3,0 (3,5#)	
	2 pt. outr. down		4,4# (4,4#)	3,5# (3,5#)	
	Blade + 2 pt. down		4,4# (4,4#)	3,5# (3,5#)	
4,5	Stabilizers raised		4,2 (5,4#)	2,7 (4,3#)	
	Stabil. blade down		4,6 (5,4#)	3,0 (4,6#)	
	2 pt. outr. down		5,4# (5,4#)	3,6 (4,6#)	
	Blade + 2 pt. down		5,4# (5,4#)	4,5# (4,6#)	
3,0	Stabilizers raised	7,2 (10,2#)	4,1 (6,4)	2,7 (4,2)	1,7 (2,9)
	Stabil. blade down	8,1# (10,2#)	4,4 (6,5#)	3,0 (5,0#)	1,9 (3,4#)
	2 pt. outr. down	9,8 (10,2#)	5,4 (6,5#)	3,6 (5,0#)	2,4 (3,4#)
	Blade + 2 pt. down	10,2# (10,2#)	6,5# (6,5#)	4,4# (5,0#)	3,0 (3,4#)
1,5	Stabilizers raised	6,9 (10,7#)	4,0 (6,3)	2,6 (4,2)	1,7 (2,8)
	Stabil. blade down	7,8 (10,7#)	4,4 (7,3#)	2,9 (5,3#)	1,9 (4,2#)
	2 pt. outr. down	9,6# (10,7#)	5,3 (7,3#)	3,5 (5,3#)	2,3 (4,2#)
	Blade + 2 pt. down	10,7# (10,7#)	6,4 (7,3#)	4,3# (5,3#)	3,0 (4,2#)
0	Stabilizers raised	7,0 (11,3#)	3,9 (6,3)	2,4 (4,0)	1,6 (2,7)
	Stabil. blade down	7,9 (11,3#)	4,3 (7,5#)	2,7 (5,4#)	1,8 (3,9#)
	2 pt. outr. down	9,6 (11,3#)	5,3 (7,5#)	3,3 (5,4#)	2,2 (3,9#)
	Blade + 2 pt. down	11,3# (11,3#)	6,5 (7,5#)	4,2 (5,4#)	2,9 (3,9#)
-1,5	Stabilizers raised	6,6 (12,2)	3,7 (6,2)	2,2 (3,8)	
	Stabil. blade down	7,5 (12,4#)	4,1 (7,7#)	2,5 (5,5#)	
	2 pt. outr. down	9,7 (12,4#)	5,1 (7,7#)	3,2 (5,5#)	
	Blade + 2 pt. down	12,4# (12,4#)	6,5 (7,7#)	4,0 (5,5#)	
-3,0	Stabilizers raised	6,4 (12,5)	3,4 (6,0)	2,1 (3,8)	
	Stabil. blade down	7,3 (12,8#)	3,8 (7,4#)	2,4 (3,9#)	
	2 pt. outr. down	9,5 (12,8#)	4,8 (7,4#)	3,1 (3,9#)	
	Blade + 2 pt. down	12,8# (12,8#)	6,3 (7,4#)	3,9# (3,9#)	
-4,5	Stabilizers raised				
	Stabil. blade down				
	2 pt. outr. down				
	Blade + 2 pt. down				

Stick 2,65 m

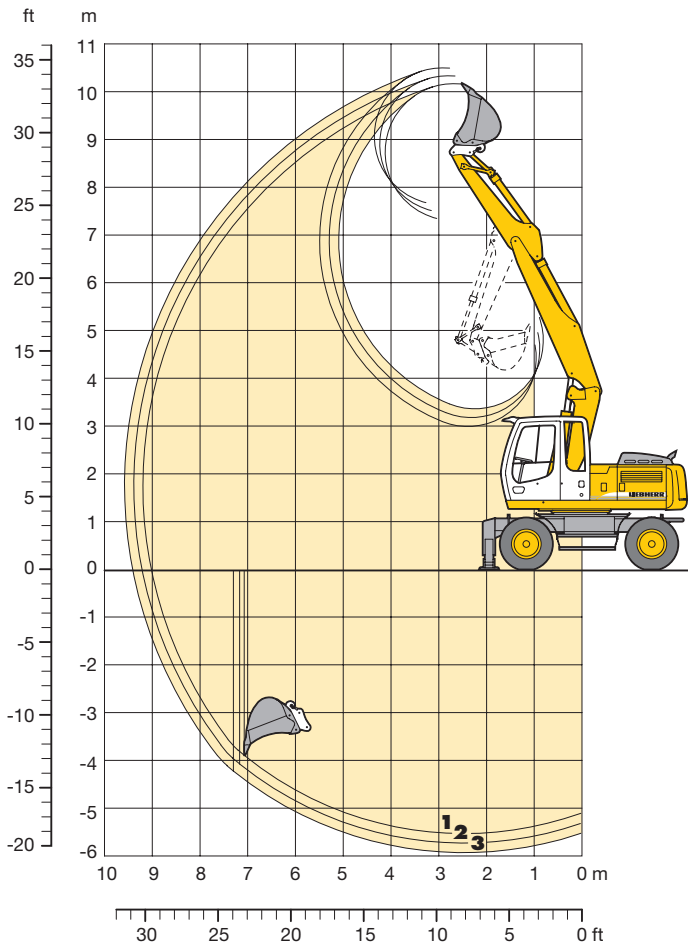
Height (m)	Undercarriage	Radius of load from centerline of machine (m)			
		3,0	4,5	6,0	7,5
7,5	Stabilizers raised		3,6# (3,6#)		
	Stabil. blade down		3,6# (3,6#)		
	2 pt. outr. down		3,6# (3,6#)		
	Blade + 2 pt. down		3,6# (3,6#)		
6,0	Stabilizers raised		4,0# (4,0#)	2,7 (3,5#)	
	Stabil. blade down		4,0# (4,0#)	3,0 (3,5#)	
	2 pt. outr. down		4,0# (4,0#)	3,5# (3,5#)	
	Blade + 2 pt. down		4,0# (4,0#)	3,5# (3,5#)	
4,5	Stabilizers raised		4,2 (4,8#)	2,8 (4,3#)	1,8 (2,3#)
	Stabil. blade down		4,6 (4,8#)	3,0 (4,4#)	2,0 (2,3#)
	2 pt. outr. down		4,8# (4,8#)	3,6 (4,4#)	2,3# (2,3#)
	Blade + 2 pt. down		4,8# (4,8#)	4,4# (4,4#)	2,3# (2,3#)
3,0	Stabilizers raised	7,3 (9,8#)	4,0 (6,3#)	2,7# (4,2)	1,7 (2,9)
	Stabil. blade down	8,1 (9,8#)	4,5 (6,3#)	3,0 (4,9#)	1,9 (3,6#)
	2 pt. outr. down	9,8# (9,8#)	5,3 (6,3#)	3,6 (4,9#)	2,4 (3,6#)
	Blade + 2 pt. down	9,8# (9,8#)	6,3# (6,3#)	4,4 (4,9#)	3,0 (3,6#)
1,5	Stabilizers raised	7,0 (10,1#)	4,0 (6,2)	2,6 (4,2)	1,7 (2,8)
	Stabil. blade down	7,7# (10,1#)	4,3 (7,2#)	2,9 (5,3#)	1,9 (4,2#)
	2 pt. outr. down	9,6 (10,1#)	5,2 (7,2#)	3,5 (5,3#)	2,3 (4,2#)
	Blade + 2 pt. down	10,1# (10,1#)	6,5 (7,2#)	4,3# (5,3#)	3,0 (4,2#)
0	Stabilizers raised	7,0 (11,4#)	3,9 (6,2)	2,4 (4,0)	1,6 (2,8)
	Stabil. blade down	7,8 (11,4#)	4,3 (7,5#)	2,7 (5,4#)	1,8 (4,1#)
	2 pt. outr. down	9,6 (11,4#)	5,2 (7,5#)	3,3 (5,4#)	2,2 (4,1#)
	Blade + 2 pt. down	11,4# (11,4#)	6,5 (7,5#)	4,2 (5,4#)	2,9 (4,1#)
-1,5	Stabilizers raised	6,6 (12,0#)	3,7 (6,3)	2,3 (3,9)	
	Stabil. blade down	7,5 (12,3#)	4,1 (7,6#)	2,5 (5,5#)	
	2 pt. outr. down	9,7 (12,3#)	5,1 (7,6#)	3,2 (5,5#)	
	Blade + 2 pt. down	12,3# (12,3#)	6,6 (7,6#)	4,0 (5,5#)	
-3,0	Stabilizers raised	6,4 (12,5)	3,4 (6,0)	2,1 (3,8)	
	Stabil. blade down	7,3 (12,8#)	3,8 (7,7#)	2,4 (4,3#)	
	2 pt. outr. down	9,5 (12,8#)	4,8 (7,7#)	3,0 (4,3#)	
	Blade + 2 pt. down	12,8# (12,8#)	6,3 (7,7#)	3,9 (4,3#)	
-4,5	Stabilizers raised	6,2 (8,1#)			
	Stabil. blade down	7,1 (8,1#)			
	2 pt. outr. down	8,1# (8,1#)			
	Blade + 2 pt. down	8,1# (8,1#)			

The lift capacities on the load hook of the Liebherr quick change adapter 33 without attachment are stated in metric tonnes (t), and can be lifted 360° on firm, level supporting surface with blocked oscillating axle. Capacities shown in brackets are valid when the undercarriage is in longitudinal position and are established over the steering axle (travel position) with stabilizers raised, and over rigid axle with stabilizers down. Capacities are valid with adjusting cylinder(s) in optimal position. Indicated loads are based on ISO 10567 standard and do not exceed 75 % of tipping or 87 % of hydraulic capacity (#). Maximum load for the quick change adapter's load hook is 10 t. Without quick change adapter, the lift capacities will increase by 110 kg, without bucket cylinder, link and lever they increase by an additional 219 kg. Lifting capacity of the excavator is limited by machine stability, hydraulic capacity and maximum permissible load of the load hook.

According to European Standard, EN 474-5: In the European Union excavators have to be equipped with an overload warning device and automatic check valves on the hoist cylinders, when they are used for lifting operations which require the use of lifting accessories.

Backhoe Attachment

with Hydr. Adjustable Boom 3,60 m with HD Counterweight



Digging Envelope

		1	2	3
Stick length	m	2,25	2,45	2,65
Max. digging depth	m	5,50	5,70	5,90
Max. reach at ground level	m	9,00	9,20	9,40
Max. dumping height	m	7,40	7,55	7,70
Max. teeth height	m	10,20	10,35	10,50
Max. digging force	kN	78,4	73,8	69,7
	t	8,0	7,5	7,1
Max. breakout force	kN	108,3	108,3	108,3
	t	11,0	11,0	11,0

Max. breakout force with ripper bucket 125,7 kN (12,8 t)
 Max. possible digging force (stick 1,70 m) 100,6 kN (10,3 t)

Operating Weight

The operating weight includes the basic machine with 8 tires plus spacer rings, hydr. adjustable boom 3,60 m with HD counterweight, stick 2,25 m, quick change adapter 33 and bucket 850 mm/0,50 m³.

Undercarriage versions	Weight
A 900 C Litronic [®] with stabilizer blade	16850 kg
A 900 C Litronic [®] with 2 pt. outriggers	16950 kg
A 900 C Litronic [®] with stabil. blade + 2 pt. outr.	17800 kg
A 900 C EW Litronic [®] with stabilizer blade	16950 kg
A 900 C EW Litronic [®] with 2 pt. outriggers	17050 kg

Buckets

Cutting width	mm	390 ¹⁾	550	550 ²⁾	650	850	1050	1250
Capacity ISO 7451*	m ³	0,25	0,28	0,30	0,35	0,50	0,65	0,85
Max. material weight	t/m ³	1,8	1,8	1,8	1,8	1,8	1,8	1,2
Weights								
Standard bucket with Liebherr teeth Z 10 C	kg	–	310	–	330	400	470	520
Ripper bucket with Liebherr-teeth Z 13 P	kg	–	–	560	–	–	–	–
Bucket with ejector and Bofors-teeth	kg	360	–	–	–	–	–	–
For machine stability per ISO 10567 the max. stick length is:								
Stabilizers raised	m	2,65	2,65	2,65	2,65	2,65	2,25	2,45
Stabilizer blade down	m	2,65	2,65	2,65	2,65	2,65	2,65	2,65
2 point outriggers down	m	2,65	2,65	2,65	2,65	2,65	2,65	2,65
Stabilizer blade + 2 pt. outr. down	m	2,65	2,65	2,65	2,65	2,65	2,65	2,65
EW, stabilizers raised	m	2,65	2,65	2,65	2,65	2,65	2,45	2,65
EW, stabilizer blade down	m	2,65	2,65	2,65	2,65	2,65	2,65	2,65
EW, 2 point outriggers down	m	2,65	2,65	2,65	2,65	2,65	2,65	2,65

* comparable with SAE (heaped)

¹⁾ Bucket with ejector

²⁾ Ripper bucket

Lift Capacities A 900 C Litronic®

with Hydr. Adjustable Boom 3,60 m with HD Counterweight

Stick 2,25 m

Height (m)	Undercarriage	Radius of load from centerline of machine (m)			
		3,0	4,5	6,0	7,5
7,5	Stabilizers raised		4,1# (4,1#)		
	Stabil. blade down		4,1# (4,1#)		
	2 pt. outr. down		4,1# (4,1#)		
	Blade + 2 pt. down		4,1# (4,1#)		
6,0	Stabilizers raised		4,5 (4,8#)	2,8 (3,9#)	
	Stabil. blade down		4,8# (4,8#)	3,1 (3,9#)	
	2 pt. outr. down		4,8# (4,8#)	3,8 (3,9#)	
	Blade + 2 pt. down		4,8# (4,8#)	3,9# (3,9#)	
4,5	Stabilizers raised	6,9# (6,9#)	4,4 (6,2#)	2,9 (4,5)	
	Stabil. blade down	6,9# (6,9#)	4,8 (6,2#)	3,2 (5,1#)	
	2 pt. outr. down	6,9# (6,9#)	5,8 (6,2#)	3,8 (5,1#)	
	Blade + 2 pt. down	6,9# (6,9#)	6,2# (6,2#)	4,7 (5,1#)	
3,0	Stabilizers raised	7,6 (11,0#)	4,2 (6,7)	2,8 (4,4)	1,8 (3,0)
	Stabil. blade down	8,3 (11,0#)	4,7 (7,3#)	3,1 (5,6#)	2,0 (3,8#)
	2 pt. outr. down	10,3 (11,0#)	5,6# (7,3#)	3,8 (5,6#)	2,5 (3,8#)
	Blade + 2 pt. down	11,0# (11,0#)	6,9 (7,3#)	4,6 (5,6#)	3,2 (3,8#)
1,5	Stabilizers raised	7,4# (10,4#)	4,1 (6,6)	2,7 (4,4)	1,8 (3,0)
	Stabil. blade down	8,1 (10,4#)	4,6 (8,2#)	3,0 (5,9#)	2,0 (4,7#)
	2 pt. outr. down	10,1 (10,4#)	5,5 (8,2#)	3,7 (5,9#)	2,4 (4,7#)
	Blade + 2 pt. down	10,4# (10,4#)	6,8 (8,2#)	4,5 (5,9#)	3,1 (4,7#)
0	Stabilizers raised	7,2 (12,7)	4,1 (6,6#)	2,6 (4,2)	1,7 (2,9)
	Stabil. blade down	8,2 (12,7#)	4,5 (8,3#)	2,9 (6,0#)	1,9 (4,5#)
	2 pt. outr. down	10,2 (12,7#)	5,5 (8,3#)	3,5 (6,0#)	2,4 (4,5#)
	Blade + 2 pt. down	12,7# (12,7#)	6,8 (8,3#)	4,4 (6,0#)	3,0 (4,5#)
-1,5	Stabilizers raised	6,9 (13,0#)	3,9 (6,6)	2,4 (4,1)	
	Stabil. blade down	7,8 (13,6#)	4,3 (8,4#)	2,7 (6,0#)	
	2 pt. outr. down	10,0 (13,6#)	5,3 (8,4#)	3,3 (6,0#)	
	Blade + 2 pt. down	13,2 (13,6#)	6,9 (8,4#)	4,2 (6,0#)	
-3,0	Stabilizers raised	6,8 (13,0)	3,6 (6,2)	2,3 (3,9)	
	Stabil. blade down	7,7 (14,1#)	4,0 (8,2#)	2,6 (4,4#)	
	2 pt. outr. down	9,9 (14,1#)	5,0 (8,2#)	3,2 (4,4#)	
	Blade + 2 pt. down	13,6 (14,1#)	6,5 (8,2#)	4,1 (4,4#)	
-4,5	Stabilizers raised				
	Stabil. blade down				
	2 pt. outr. down				
	Blade + 2 pt. down				

Stick 2,45 m

Height (m)	Undercarriage	Radius of load from centerline of machine (m)			
		3,0	4,5	6,0	7,5
7,5	Stabilizers raised		3,9# (3,9#)		
	Stabil. blade down		3,9# (3,9#)		
	2 pt. outr. down		3,9# (3,9#)		
	Blade + 2 pt. down		3,9# (3,9#)		
6,0	Stabilizers raised		4,4# (4,4#)	2,8 (3,8#)	
	Stabil. blade down		4,4# (4,4#)	3,1 (3,8#)	
	2 pt. outr. down		4,4# (4,4#)	3,8 (3,8#)	
	Blade + 2 pt. down		4,4# (4,4#)	3,8# (3,8#)	
4,5	Stabilizers raised	5,7# (5,7#)	4,4 (5,6#)	2,9 (4,5)	1,9 (2,5#)
	Stabil. blade down	5,7# (5,7#)	4,8 (5,6#)	3,2 (5,0#)	2,1 (2,5#)
	2 pt. outr. down	5,7# (5,7#)	5,6# (5,6#)	3,8 (5,0#)	2,5 (2,5#)
	Blade + 2 pt. down	5,7# (5,7#)	5,6# (5,6#)	4,6 (5,0#)	2,5# (2,5#)
3,0	Stabilizers raised	7,6# (11,5#)	4,2 (6,6)	2,9 (4,4)	1,8 (3,0)
	Stabil. blade down	8,3 (11,5#)	4,7 (7,1#)	3,1 (5,5#)	2,0 (4,0#)
	2 pt. outr. down	10,3 (11,5#)	5,5 (7,1#)	3,7 (5,5#)	2,5 (4,0#)
	Blade + 2 pt. down	11,5# (11,5#)	6,9# (7,1#)	4,6 (5,5#)	3,2 (4,0#)
1,5	Stabilizers raised	7,2 (10,3#)	4,1 (6,5)	2,7 (4,4)	1,8 (3,0)
	Stabil. blade down	8,1 (10,3#)	4,6 (8,1#)	3,0 (5,8#)	2,0 (4,6#)
	2 pt. outr. down	10,1 (10,3#)	5,5 (8,1#)	3,6 (5,8#)	2,4 (4,6#)
	Blade + 2 pt. down	10,3# (10,3#)	6,8 (8,1#)	4,5 (5,8#)	3,1 (4,6#)
0	Stabilizers raised	7,2 (12,3#)	4,0 (6,5)	2,6 (4,2)	1,7 (2,9)
	Stabil. blade down	8,2 (12,3#)	4,5 (8,2#)	2,8 (5,9#)	1,9 (4,5#)
	2 pt. outr. down	10,2 (12,3#)	5,5 (8,2#)	3,5 (5,9#)	2,4 (4,5#)
	Blade + 2 pt. down	12,3# (12,3#)	6,8 (8,2#)	4,4 (5,9#)	3,0 (4,5#)
-1,5	Stabilizers raised	6,8 (12,9)	3,8 (6,6)	2,4 (4,0)	
	Stabil. blade down	7,8 (13,5#)	4,3 (8,4#)	2,7 (6,0#)	
	2 pt. outr. down	10,0 (13,5#)	5,3 (8,4#)	3,3 (6,0#)	
	Blade + 2 pt. down	13,2 (13,5#)	6,8 (8,4#)	4,2 (6,0#)	
-3,0	Stabilizers raised	6,8 (13,0)	3,6 (6,2)	2,3 (3,9)	
	Stabil. blade down	7,7 (14,0#)	4,0 (8,4#)	2,5 (4,8#)	
	2 pt. outr. down	9,9 (14,0#)	5,0 (8,4#)	3,2 (4,8#)	
	Blade + 2 pt. down	13,6 (14,0#)	6,5 (8,4#)	4,1 (4,8#)	
-4,5	Stabilizers raised	6,5 (9,0#)			
	Stabil. blade down	7,4 (9,0#)			
	2 pt. outr. down	9,0# (9,0#)			
	Blade + 2 pt. down	9,0# (9,0#)			

Stick 2,65 m

Height (m)	Undercarriage	Radius of load from centerline of machine (m)			
		3,0	4,5	6,0	7,5
7,5	Stabilizers raised		3,8# (3,8#)		
	Stabil. blade down		3,8# (3,8#)		
	2 pt. outr. down		3,8# (3,8#)		
	Blade + 2 pt. down		3,8# (3,8#)		
6,0	Stabilizers raised		4,0# (4,0#)	2,9 (3,7#)	
	Stabil. blade down		4,0# (4,0#)	3,2 (3,7#)	
	2 pt. outr. down		4,0# (4,0#)	3,7# (3,7#)	
	Blade + 2 pt. down		4,0# (4,0#)	3,7# (3,7#)	
4,5	Stabilizers raised		4,4 (5,0#)	2,9 (4,5#)	1,9 (2,9#)
	Stabil. blade down		4,8 (5,0#)	3,2 (4,6#)	2,1 (2,9#)
	2 pt. outr. down		5,0# (5,0#)	3,8 (4,6#)	2,5 (2,9#)
	Blade + 2 pt. down		5,0# (5,0#)	4,6# (4,6#)	2,9# (2,9#)
3,0	Stabilizers raised	7,5 (11,0#)	4,2 (6,7)	2,9 (4,4#)	1,8 (3,0)
	Stabil. blade down	8,5 (11,0#)	4,6 (6,9#)	3,2 (5,3#)	2,1 (4,0#)
	2 pt. outr. down	10,3 (11,0#)	5,6 (6,9#)	3,7 (5,3#)	2,5 (4,0#)
	Blade + 2 pt. down	11,0# (11,0#)	6,9 (6,9#)	4,5 (5,3#)	3,2 (4,0#)
1,5	Stabilizers raised	7,3 (10,7#)	4,1 (6,5)	2,8 (4,3)	1,8 (3,0)
	Stabil. blade down	8,2 (10,7#)	4,6# (7,9#)	3,1 (5,8#)	2,0 (4,6#)
	2 pt. outr. down	9,9# (10,7#)	5,5# (7,9#)	3,7 (5,8#)	2,5# (4,6#)
	Blade + 2 pt. down	10,7# (10,7#)	6,7# (7,9#)	4,5 (5,8#)	3,1 (4,6#)
0	Stabilizers raised	7,3 (11,9#)	4,1 (6,5)	2,6 (4,2)	1,7 (2,9)
	Stabil. blade down	8,1 (11,9#)	4,5 (8,2#)	2,9 (5,9#)	1,9 (4,6#)
	2 pt. outr. down	10,0 (11,9#)	5,4 (8,2#)	3,5 (5,9#)	2,4 (4,6#)
	Blade + 2 pt. down	11,9# (11,9#)	6,7 (8,2#)	4,4 (5,9#)	3,0 (4,6#)
-1,5	Stabilizers raised	6,9 (12,6)	3,8 (6,6)	2,4 (4,0)	1,6 (2,8)
	Stabil. blade down	7,8 (13,4#)	4,3 (8,3#)	2,7 (6,0#)	1,8 (3,6#)
	2 pt. outr. down	10,0 (13,4#)	5,3 (8,3#)	3,3 (6,0#)	2,3 (3,6#)
	Blade + 2 pt. down	13,1# (13,4#)	6,8 (8,3#)	4,2 (6,0#)	2,9 (3,6#)
-3,0	Stabilizers raised	6,7 (13,0)	3,6 (6,3)	2,3 (3,9)	
	Stabil. blade down	7,6 (13,9#)	4,0 (8,4#)	2,5 (5,2#)	
	2 pt. outr. down	9,9 (13,9#)	5,0 (8,4#)	3,2 (5,2#)	
	Blade + 2 pt. down	13,6 (13,9#)	6,6 (8,4#)	4,1 (5,2#)	
-4,5	Stabilizers raised	6,5 (10,3#)			
	Stabil. blade down	7,4 (10,3#)			
	2 pt. outr. down	9,6 (10,3#)			
	Blade + 2 pt. down	10,3# (10,3#)			

The lift capacities on the load hook of the Liebherr quick change adapter 33 without attachment are stated in metric tonnes (t), and can be lifted 360° on firm, level supporting surface with blocked oscillating axle. Capacities shown in brackets are valid when the undercarriage is in longitudinal position and are established over the steering axle (travel position) with stabilizers raised, and over rigid axle with stabilizers down. Capacities are valid with adjusting cylinder(s) in optimal position. Indicated loads are based on ISO 10567 standard and do not exceed 75 % of tipping or 87 % of hydraulic capacity (#). Maximum load for the quick change adapter's load hook is 10 t. Without quick change adapter, the lift capacities will increase by 110 kg, without bucket cylinder, link and lever they increase by an additional 219 kg. Lifting capacity of the excavator is limited by machine stability, hydraulic capacity and maximum permissible load of the load hook.

According to European Standard, EN 474-5: In the European Union excavators have to be equipped with an overload warning device and automatic check valves on the hoist cylinders, when they are used for lifting operations which require the use of lifting accessories.

Lift Capacities A 900 C EW Litronic®

with Hydr. Adjustable Boom 3,60 m with HD Counterweight

Stick 2,25 m

Height (m)	Undercarriage	Radius of load from centerline of machine (m)			
		3,0	4,5	6,0	7,5
7,5	Stabilizers raised		4,1# (4,1#)		
	Stabil. blade down 2 pt. outr. down		4,1# (4,1#) 4,1# (4,1#)		
6,0	Stabilizers raised		4,8# (4,8#)	3,1# (3,9#)	
	Stabil. blade down 2 pt. outr. down		4,8# (4,8#) 4,8# (4,8#)	3,4 (3,9#) 3,9# (3,9#)	
4,5	Stabilizers raised	6,9# (6,9#)	4,7 (6,2#)	3,1 (4,5)	
	Stabil. blade down 2 pt. outr. down	6,9# (6,9#) 6,9# (6,9#)	5,3 (6,2#) 6,0 (6,2#)	3,4 (5,1#) 4,0 (5,1#)	
3,0	Stabilizers raised	8,1 (11,0#)	4,6 (6,7)	3,1 (4,4)	2,0 (3,0)
	Stabil. blade down 2 pt. outr. down	9,2# (11,0#) 10,8 (11,0#)	5,0 (7,3#) 5,8 (7,3#)	3,4 (5,6#) 3,9 (5,6#)	2,2 (3,8#) 2,6 (3,8#)
1,5	Stabilizers raised	7,9 (10,4#)	4,5 (6,6)	2,9 (4,4)	1,9 (3,0)
	Stabil. blade down 2 pt. outr. down	9,0# (10,4#) 10,4# (10,4#)	5,0 (8,2#) 5,7 (8,2#)	3,3 (5,9#) 3,8 (5,9#)	2,2 (4,6) 2,6 (4,7#)
0	Stabilizers raised	8,0 (12,7#)	4,4 (6,6#)	2,8 (4,2)	1,9 (2,9)
	Stabil. blade down 2 pt. outr. down	9,1 (12,7#) 10,8# (12,7#)	5,0 (8,3#) 5,8 (8,3#)	3,1 (6,0#) 3,6 (6,0#)	2,1 (4,5#) 2,5 (4,5#)
-1,5	Stabilizers raised	7,6 (13,0#)	4,2 (6,6)	2,6 (4,1)	
	Stabil. blade down 2 pt. outr. down	8,7 (13,6#) 10,7 (13,6#)	4,7 (8,4#) 5,6 (8,4#)	3,0 (6,0#) 3,5 (6,0#)	
-3,0	Stabilizers raised	7,5 (13,0)	3,9 (6,3)	2,5 (4,0)	
	Stabil. blade down 2 pt. outr. down	8,6 (14,1#) 10,5 (14,1#)	4,4 (8,2#) 5,3 (8,2#)	2,9 (4,4#) 3,4 (4,4#)	
-4,5	Stabilizers raised				
	Stabil. blade down 2 pt. outr. down				

Stick 2,45 m

Height (m)	Undercarriage	Radius of load from centerline of machine (m)			
		3,0	4,5	6,0	7,5
7,5	Stabilizers raised		3,9# (3,9#)		
	Stabil. blade down 2 pt. outr. down		3,9# (3,9#) 3,9# (3,9#)		
6,0	Stabilizers raised		4,4# (4,4#)	3,1 (3,8#)	
	Stabil. blade down 2 pt. outr. down		4,4# (4,4#) 4,4# (4,4#)	3,4 (3,8#) 3,8# (3,8#)	
4,5	Stabilizers raised	5,7# (5,7#)	4,7# (5,6#)	3,1 (4,5)	2,0 (2,5#)
	Stabil. blade down 2 pt. outr. down	5,7# (5,7#) 5,7# (5,7#)	5,2 (5,6#) 5,6# (5,6#)	3,4 (5,0#) 3,9 (5,0#)	2,3 (2,5#) 2,5# (2,5#)
3,0	Stabilizers raised	8,1 (11,5#)	4,6 (6,6)	3,1 (4,4)	2,0 (3,0)
	Stabil. blade down 2 pt. outr. down	9,1# (11,5#) 10,8 (11,5#)	5,1 (7,1#) 5,8 (7,1#)	3,4 (5,5#) 3,9 (5,5#)	2,2 (4,0#) 2,6 (4,0#)
1,5	Stabilizers raised	7,9 (10,3#)	4,5 (6,5)	3,0 (4,4)	1,9 (3,0)
	Stabil. blade down 2 pt. outr. down	8,8 (10,3#) 10,3# (10,3#)	4,9# (8,1#) 5,7 (8,1#)	3,3 (5,8#) 3,8 (5,8#)	2,2 (4,6) 2,6 (4,6#)
0	Stabilizers raised	8,0 (12,3#)	4,4 (6,5)	2,8 (4,2)	1,9 (2,9)
	Stabil. blade down 2 pt. outr. down	9,0 (12,3#) 10,5 (12,3#)	5,0 (8,2#) 5,8 (8,2#)	3,1 (5,9#) 3,7 (5,9#)	2,1 (4,5) 2,5 (4,5#)
-1,5	Stabilizers raised	7,6 (12,9)	4,2 (6,6)	2,6 (4,0)	
	Stabil. blade down 2 pt. outr. down	8,7 (13,5#) 10,7 (13,5#)	4,7 (8,4#) 5,6 (8,4#)	3,0 (6,0#) 3,5 (6,0#)	
-3,0	Stabilizers raised	7,5 (13,0)	3,9 (6,3)	2,5 (3,9)	
	Stabil. blade down 2 pt. outr. down	8,6 (14,0#) 10,5 (14,0#)	4,4 (8,4#) 5,3 (8,4#)	2,8 (4,4#) 3,4 (4,8#)	
-4,5	Stabilizers raised	7,2 (9,0#)			
	Stabil. blade down 2 pt. outr. down	8,4 (9,0#) 9,0# (9,0#)			

Stick 2,65 m

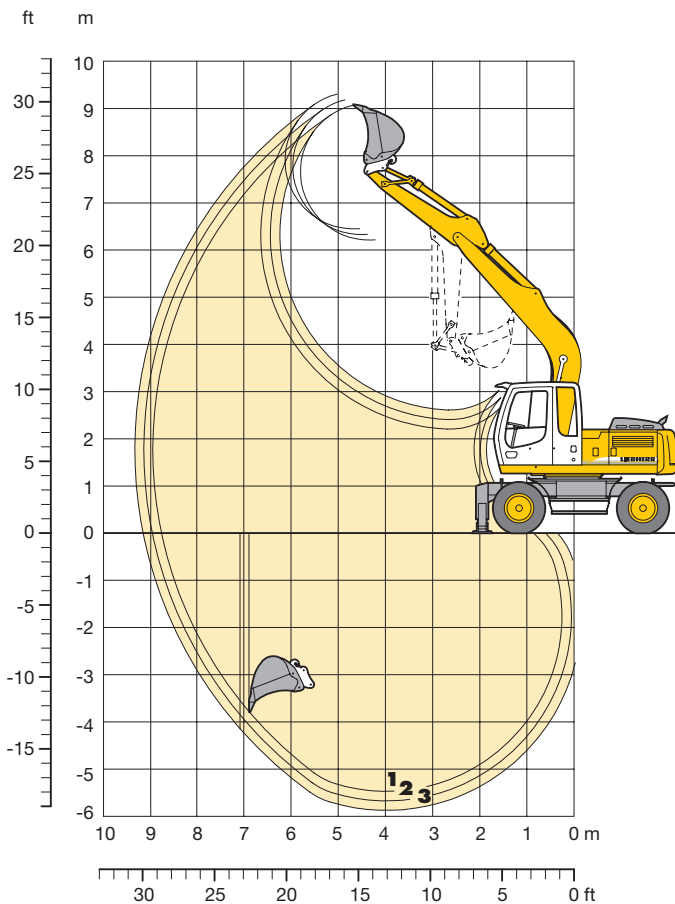
Height (m)	Undercarriage	Radius of load from centerline of machine (m)			
		3,0	4,5	6,0	7,5
7,5	Stabilizers raised		3,8# (3,8#)		
	Stabil. blade down 2 pt. outr. down		3,8# (3,8#) 3,8# (3,8#)		
6,0	Stabilizers raised		4,0# (4,0#)	3,1 (3,7#)	
	Stabil. blade down 2 pt. outr. down		4,0# (4,0#) 4,0# (4,0#)	3,4 (3,7#) 3,7# (3,7#)	
4,5	Stabilizers raised		4,8 (5,0#)	3,1 (4,5#)	2,0 (2,9#)
	Stabil. blade down 2 pt. outr. down		5,0# (5,0#) 5,0# (5,0#)	3,5# (4,6#) 3,9 (4,6#)	2,3 (2,9#) 2,7 (2,9#)
3,0	Stabilizers raised	8,3 (11,0#)	4,5 (6,7#)	3,1 (4,4#)	2,0 (3,0)
	Stabil. blade down 2 pt. outr. down	9,2# (11,0#) 10,8 (11,0#)	5,1# (6,9#) 5,8# (6,9#)	3,4 (5,3#) 3,9 (5,3#)	2,3 (4,0#) 2,6 (4,0#)
1,5	Stabilizers raised	8,0 (10,7#)	4,5 (6,5)	3,0 (4,3)	1,9 (3,0)
	Stabil. blade down 2 pt. outr. down	8,8 (10,7#) 10,4 (10,7#)	4,9 (7,9#) 5,6 (7,9#)	3,3 (5,8#) 3,8 (5,8#)	2,2 (4,6#) 2,6 (4,6#)
0	Stabilizers raised	8,0 (11,9#)	4,4 (6,6)	2,8 (4,2)	1,9 (2,9)
	Stabil. blade down 2 pt. outr. down	8,9 (11,9#) 10,6 (11,9#)	5,0 (8,2#) 5,7 (8,2#)	3,2 (5,9#) 3,7 (5,9#)	2,1 (4,5) 2,5 (4,6#)
-1,5	Stabilizers raised	7,6 (12,6)	4,2 (6,6)	2,6 (4,0)	1,8 (2,8)
	Stabil. blade down 2 pt. outr. down	8,7 (13,4#) 10,7 (13,4#)	4,7 (8,3#) 5,6 (8,3#)	3,0 (6,0#) 3,5 (6,0#)	2,0 (3,6#) 2,4 (3,6#)
-3,0	Stabilizers raised	7,4 (13,0)	3,9 (6,3)	2,5 (3,9)	
	Stabil. blade down 2 pt. outr. down	8,6 (13,9#) 10,5 (13,9#)	4,5 (8,4#) 5,3 (8,4#)	2,8 (5,2#) 3,4 (5,2#)	
-4,5	Stabilizers raised	7,2 (10,3#)			
	Stabil. blade down 2 pt. outr. down	8,3 (10,3#) 10,2 (10,3#)			

The lift capacities on the load hook of the Liebherr quick change adapter 33 without attachment are stated in metric tonnes (t), and can be lifted 360° on firm, level supporting surface with blocked oscillating axle. Capacities shown in brackets are valid when the undercarriage is in longitudinal position and are established over the steering axle (travel position) with stabilizers raised, and over rigid axle with stabilizers down. Capacities are valid with adjusting cylinder(s) in optimal position. Indicated loads are based on ISO 10567 standard and do not exceed 75 % of tipping or 87 % of hydraulic capacity (#). Maximum load for the quick change adapter's load hook is 10 t. Without quick change adapter, the lift capacities will increase by 110 kg, without bucket cylinder, link and lever they increase by an additional 219 kg. Lifting capacity of the excavator is limited by machine stability, hydraulic capacity and maximum permissible load of the load hook.

According to European Standard, EN 474-5: In the European Union excavators have to be equipped with an overload warning device and automatic check valves on the hoist cylinders, when they are used for lifting operations which require the use of lifting accessories.

Backhoe Attachment

with Gooseneck Boom 5,00 m



Digging Envelope

		1	2	3
Stick length	m	2,25	2,45	2,65
Max. digging depth	m	5,40	5,60	5,80
Max. reach at ground level	m	8,70	8,90	9,10
Max. dumping height	m	6,20	6,30	6,40
Max. teeth height	m	9,00	9,15	9,25
Max. digging force	kN	78,4	73,8	69,7
	t	8,0	7,5	7,1
Max. breakout force	kN	108,3	108,3	108,3
	t	11,0	11,0	11,0

Max. breakout force with ripper bucket 125,7 kN (12,8 t)
 Max. possible digging force (stick 1,70 m) 100,6 kN (10,3 t)

Operating Weight

The operating weight includes the basic machine with 8 tires plus spacer rings, gooseneck boom 5,00 m, stick 2,25 m, quick change adapter 33 and bucket 850 mm/0,50 m³.

Undercarriage versions	Weight
A 900 C Litronic with stabilizer blade	16050 kg
A 900 C Litronic with 2 pt. outriggers	16150 kg
A 900 C Litronic with stabil. blade + 2 pt. outr.	17000 kg
A 900 C EW Litronic with stabilizer blade	16150 kg
A 900 C EW Litronic with 2 pt. outriggers	16250 kg

Buckets

Cutting width	mm	390 ¹⁾	550	550 ²⁾	650	850	1050	1250
Capacity ISO 7451*	m ³	0,25	0,28	0,30	0,35	0,50	0,65	0,85
Max. material weight	t/m ³	1,8	1,8	1,8	1,8	1,8	1,8	1,2
Weights								
Standard bucket with Liebherr teeth Z 10 C	kg	–	310	–	330	400	470	520
Ripper bucket with Liebherr-teeth Z 13 P	kg	–	–	560	–	–	–	–
Bucket with ejector and Bofors-teeth	kg	360	–	–	–	–	–	–
For machine stability per ISO 10567 the max. stick length is:								
Stabilizers raised	m	2,65	2,65	2,65	2,65	2,65	2,25	2,45
Stabilizer blade down	m	2,65	2,65	2,65	2,65	2,65	2,65	2,65
2 point outriggers down	m	2,65	2,65	2,65	2,65	2,65	2,65	2,65
Stabilizer blade + 2 pt. outr. down	m	2,65	2,65	2,65	2,65	2,65	2,65	2,65
EW, stabilizers raised	m	2,65	2,65	2,65	2,65	2,65	2,45	2,65
EW, stabilizer blade down	m	2,65	2,65	2,65	2,65	2,65	2,65	2,65
EW, 2 point outriggers down	m	2,65	2,65	2,65	2,65	2,65	2,65	2,65

* comparable with SAE (heaped)

¹⁾ Bucket with ejector

²⁾ Ripper bucket

Lift Capacities A 900 C Litronic®

with Gooseneck Boom 5,00 m

Stick 2,25 m

Height (m)	Undercarriage	Radius of load from centerline of machine (m)			
		3,0	4,5	6,0	7,5
7,5	Stabilizers raised				
	Stabil. blade down				
	2 pt. outr. down Blade + 2 pt. down				
6,0	Stabilizers raised			2,6 (3,0#)	
	Stabil. blade down			2,9 (3,0#)	
	2 pt. outr. down Blade + 2 pt. down			3,0# (3,0#) 3,0# (3,0#)	
4,5	Stabilizers raised		4,0 (4,2#)	2,5 (3,8#)	
	Stabil. blade down		4,2# (4,2#)	2,8 (3,8#)	
	2 pt. outr. down Blade + 2 pt. down		4,2# (4,2#) 4,2# (4,2#)	3,4 (3,8#) 3,8# (3,8#)	
3,0	Stabilizers raised	6,5 (8,7#)	3,7 (5,4#)	2,4 (4,0)	1,7 (2,3)
	Stabil. blade down	7,4 (8,7#)	4,1 (5,4#)	2,7 (4,4#)	1,9 (2,3#)
	2 pt. outr. down Blade + 2 pt. down	8,7# (8,7#) 8,7# (8,7#)	5,1 (5,4#) 5,4# (5,4#)	3,3 (4,4#) 4,2 (4,4#)	2,3# (2,3#) 2,3# (2,3#)
1,5	Stabilizers raised		3,3 (5,9)	2,2 (3,8)	1,6 (2,8)
	Stabil. blade down		3,7 (6,7#)	2,5 (4,9#)	1,8 (3,1#)
	2 pt. outr. down Blade + 2 pt. down		4,7 (6,7#) 6,2 (6,7#)	3,1 (4,9#) 4,0 (4,9#)	2,3 (3,1#) 2,9 (3,1#)
0	Stabilizers raised	5,6 (6,0#)	3,1 (5,7)	2,1 (3,7)	
	Stabil. blade down	6,0# (6,0#)	3,6 (7,4#)	2,4 (5,4#)	
	2 pt. outr. down Blade + 2 pt. down	6,0# (6,0#) 6,0# (6,0#)	4,5 (7,4#) 5,9 (7,4#)	3,0 (5,4#) 3,9 (5,4#)	
-1,5	Stabilizers raised	5,6 (9,2#)	3,1 (5,6)	2,1 (3,7)	
	Stabil. blade down	6,5 (9,2#)	3,5 (7,4#)	2,4 (5,4#)	
	2 pt. outr. down Blade + 2 pt. down	8,5 (9,2#) 9,2# (9,2#)	4,5 (7,4#) 5,9 (7,4#)	3,0 (5,4#) 3,9 (5,4#)	
-3,0	Stabilizers raised	5,8 (9,7#)	3,2 (5,7)		
	Stabil. blade down	6,7 (9,7#)	3,6 (6,6#)		
	2 pt. outr. down Blade + 2 pt. down	8,7 (9,7#) 9,7# (9,7#)	4,6 (6,6#) 6,0 (6,6#)		
-4,5	Stabilizers raised				
	Stabil. blade down				
	2 pt. outr. down Blade + 2 pt. down				

Stick 2,45 m

Height (m)	Undercarriage	Radius of load from centerline of machine (m)			
		3,0	4,5	6,0	7,5
7,5	Stabilizers raised				
	Stabil. blade down				
	2 pt. outr. down Blade + 2 pt. down				
6,0	Stabilizers raised			2,6 (3,2#)	
	Stabil. blade down			2,9 (3,2#)	
	2 pt. outr. down Blade + 2 pt. down			3,2# (3,2#) 3,2# (3,2#)	
4,5	Stabilizers raised			2,5 (3,7#)	
	Stabil. blade down			2,8 (3,7#)	
	2 pt. outr. down Blade + 2 pt. down			3,4 (3,7#) 3,7# (3,7#)	
3,0	Stabilizers raised	6,6 (8,0#)	3,7 (5,2#)	2,4 (4,0)	1,7 (2,8)
	Stabil. blade down	7,5 (8,0#)	4,1 (5,2#)	2,7 (4,2#)	1,9 (2,8#)
	2 pt. outr. down Blade + 2 pt. down	8,0# (8,0#) 8,0# (8,0#)	5,1 (5,2#) 5,2# (5,2#)	3,3 (4,2#) 4,2 (4,2#)	2,3 (2,8#) 2,8# (2,8#)
1,5	Stabilizers raised	5,2# (5,2#)	3,3 (5,9)	2,2 (3,8)	1,6 (2,8)
	Stabil. blade down	5,2# (5,2#)	3,7 (6,5#)	2,5 (4,8#)	1,8 (3,6#)
	2 pt. outr. down Blade + 2 pt. down	5,2# (5,2#) 5,2# (5,2#)	4,7 (6,5#) 6,1 (6,5#)	3,1 (4,8#) 4,0 (4,8#)	2,3 (3,6#) 2,9 (3,6#)
0	Stabilizers raised	5,5 (6,0#)	3,1 (5,6)	2,1 (3,7)	1,6 (2,7)
	Stabil. blade down	6,0# (6,0#)	3,5 (7,3#)	2,4 (5,3#)	1,8 (3,1#)
	2 pt. outr. down Blade + 2 pt. down	6,0# (6,0#) 6,0# (6,0#)	4,5 (7,3#) 5,9 (7,3#)	3,0 (5,3#) 3,9 (5,3#)	2,2 (3,1#) 2,8 (3,1#)
-1,5	Stabilizers raised	5,6 (8,8#)	3,1 (5,6)	2,1 (3,6)	
	Stabil. blade down	6,4 (8,8#)	3,5 (7,4#)	2,3 (5,4#)	
	2 pt. outr. down Blade + 2 pt. down	8,5 (8,8#) 8,8# (8,8#)	4,4 (7,4#) 5,8 (7,4#)	3,0 (5,4#) 3,8 (5,4#)	
-3,0	Stabilizers raised	5,7 (10,0#)	3,1 (5,6)	2,1 (3,7)	
	Stabil. blade down	6,6 (10,0#)	3,5 (6,7#)	2,4 (4,7#)	
	2 pt. outr. down Blade + 2 pt. down	8,6 (10,0#) 10,0# (10,0#)	4,5 (6,7#) 5,9 (6,7#)	3,0 (4,7#) 3,9 (4,7#)	
-4,5	Stabilizers raised				
	Stabil. blade down				
	2 pt. outr. down Blade + 2 pt. down				

Stick 2,65 m

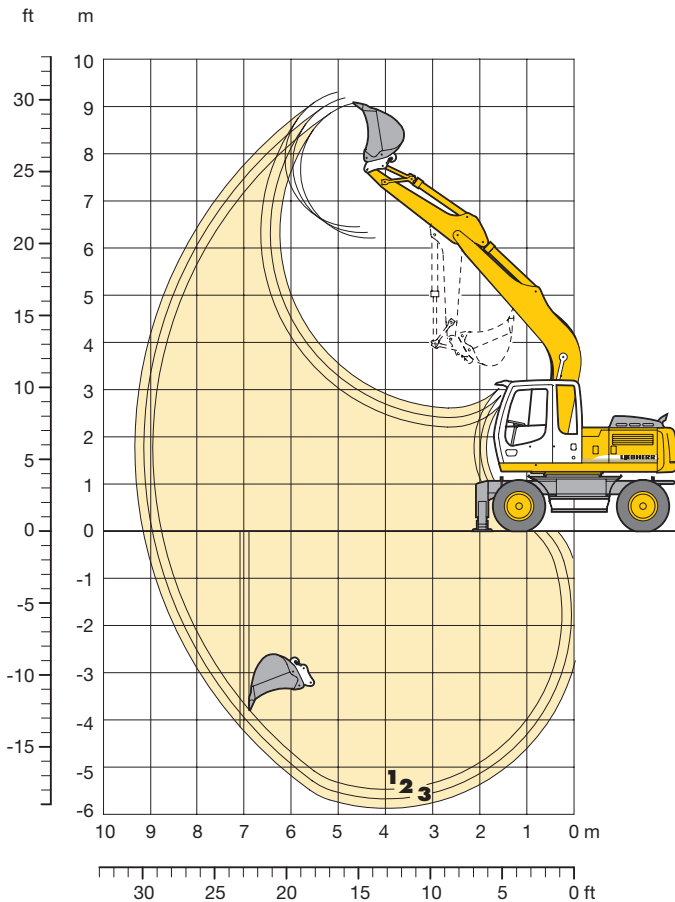
Height (m)	Undercarriage	Radius of load from centerline of machine (m)			
		3,0	4,5	6,0	7,5
7,5	Stabilizers raised				
	Stabil. blade down				
	2 pt. outr. down Blade + 2 pt. down				
6,0	Stabilizers raised			2,6 (3,2#)	
	Stabil. blade down			2,9 (3,2#)	
	2 pt. outr. down Blade + 2 pt. down			3,2# (3,2#) 3,2# (3,2#)	
4,5	Stabilizers raised			2,5 (3,5#)	1,7 (1,7#)
	Stabil. blade down			2,8 (3,5#)	1,7# (1,7#)
	2 pt. outr. down Blade + 2 pt. down			3,5 (3,5#) 3,5# (3,5#)	1,7# (1,7#)
3,0	Stabilizers raised	6,8 (7,4#)	3,7 (5,0#)	2,4 (4,0)	1,7 (2,8)
	Stabil. blade down	7,4# (7,4#)	4,1 (5,0#)	2,7 (4,1#)	1,9 (3,2#)
	2 pt. outr. down Blade + 2 pt. down	7,4# (7,4#) 7,4# (7,4#)	5,0# (5,0#) 5,0# (5,0#)	3,3 (4,1#) 4,1# (4,1#)	2,3 (3,2#) 3,0 (3,2#)
1,5	Stabilizers raised	5,8 (6,0#)	3,3 (5,9)	2,2 (3,8)	1,6 (2,7)
	Stabil. blade down	6,0# (6,0#)	3,8 (6,3#)	2,5 (4,7#)	1,8 (3,9#)
	2 pt. outr. down Blade + 2 pt. down	6,0# (6,0#) 6,0# (6,0#)	4,7 (6,3#) 6,2 (6,3#)	3,1 (4,7#) 4,0 (4,7#)	2,2 (3,9#) 2,9 (3,9#)
0	Stabilizers raised	5,5 (6,1#)	3,1 (5,6)	2,1 (3,7)	1,5 (2,7)
	Stabil. blade down	6,1# (6,1#)	3,5 (7,2#)	2,4 (5,2#)	1,7 (3,8#)
	2 pt. outr. down Blade + 2 pt. down	6,1# (6,1#) 6,1# (6,1#)	4,5 (7,2#) 5,9 (7,2#)	3,0 (5,2#) 3,9 (5,2#)	2,2 (3,8#) 2,8 (3,8#)
-1,5	Stabilizers raised	5,5 (8,4#)	3,0 (5,5)	2,0 (3,6)	
	Stabil. blade down	6,3 (8,4#)	3,4 (7,4#)	2,3 (5,3#)	
	2 pt. outr. down Blade + 2 pt. down	8,4 (8,4#) 8,4# (8,4#)	4,4 (7,4#) 5,8 (7,4#)	2,9 (5,3#) 3,8 (5,3#)	
-3,0	Stabilizers raised	5,6 (10,3#)	3,1 (5,6)	2,1 (3,7)	
	Stabil. blade down	6,5 (10,3#)	3,5 (6,9#)	2,4 (4,9#)	
	2 pt. outr. down Blade + 2 pt. down	8,6 (10,3#) 10,3# (10,3#)	4,4 (6,9#) 5,9 (6,9#)	3,0 (4,9#) 3,9 (4,9#)	
-4,5	Stabilizers raised	5,9 (7,6#)	3,3 (5,0#)		
	Stabil. blade down	6,8 (7,6#)	3,7 (5,0#)		
	2 pt. outr. down Blade + 2 pt. down	7,6# (7,6#) 7,6# (7,6#)	4,7 (5,0#) 5,0# (5,0#)		

The lift capacities on the load hook of the Liebherr quick change adapter 33 without attachment are stated in metric tonnes (t), and can be lifted 360° on firm, level supporting surface with blocked oscillating axle. Capacities shown in brackets are valid when the undercarriage is in longitudinal position and are established over the steering axle (travel position) with stabilizers raised, and over rigid axle with stabilizers down. Indicated loads are based on ISO 10567 standard and do not exceed 75 % of tipping or 87 % of hydraulic capacity (#). Maximum load for the quick change adapter's load hook is 10 t. Without quick change adapter, the lift capacities will increase by 110 kg, without bucket cylinder, link and lever they increase by an additional 219 kg. Lifting capacity of the excavator is limited by machine stability, hydraulic capacity and maximum permissible load of the load hook.

According to European Standard, EN 474-5: In the European Union excavators have to be equipped with an overload warning device and automatic check valves on the hoist cylinders, when they are used for lifting operations which require the use of lifting accessories.

Backhoe Attachment

with Gooseneck Boom 5,00 m with HD Counterweight



Digging Envelope

		1	2	3
Stick length	m	2,25	2,45	2,65
Max. digging depth	m	5,40	5,60	5,80
Max. reach at ground level	m	8,70	8,90	9,10
Max. dumping height	m	6,20	6,30	6,40
Max. teeth height	m	9,00	9,15	9,25
Max. digging force	kN	78,4	73,8	69,7
	t	8,0	7,5	7,1
Max. breakout force	kN	108,3	108,3	108,3
	t	11,0	11,0	11,0

Max. breakout force with ripper bucket 125,7 kN (12,8 t)
 Max. possible digging force (stick 1,70 m) 100,6 kN (10,3 t)

Operating Weight

The operating weight includes the basic machine with 8 tires plus spacer rings, gooseneck boom 5,00 m with HD counterweight, stick 2,25 m, quick change adapter 33 and bucket 850 mm/0,50 m³.

Undercarriage versions	Weight
A 900 C Litronic with stabilizer blade	16450 kg
A 900 C Litronic with 2 pt. outriggers	16550 kg
A 900 C Litronic with stabil. blade + 2 pt. outr.	17400 kg
A 900 C EW Litronic with stabilizer blade	17800 kg
A 900 C EW Litronic with 2 pt. outriggers	17900 kg

Buckets

Cutting width	mm	390 ¹⁾	550	550 ²⁾	650	850	1050	1250
Capacity ISO 7451*	m ³	0,25	0,28	0,30	0,35	0,50	0,65	0,85
Max. material weight	t/m ³	1,8	1,8	1,8	1,8	1,8	1,8	1,2
Weights								
Standard bucket with Liebherr teeth Z 10 C	kg	-	310	-	330	400	470	520
Ripper bucket with Liebherr-teeth Z 13 P	kg	-	-	560	-	-	-	-
Bucket with ejector and Bofors-teeth	kg	360	-	-	-	-	-	-

For machine stability per ISO 10567 the max. stick length is:

Stabilizers raised	m	2,65	2,65	2,65	2,65	2,65	2,45	2,65
Stabilizer blade down	m	2,65	2,65	2,65	2,65	2,65	2,65	2,65
2 point outriggers down	m	2,65	2,65	2,65	2,65	2,65	2,65	2,65
Stabilizer blade + 2 pt. outr. down	m	2,65	2,65	2,65	2,65	2,65	2,65	2,65
EW, stabilizers raised	m	2,65	2,65	2,65	2,65	2,65	2,45	2,65
EW, stabilizer blade down	m	2,65	2,65	2,65	2,65	2,65	2,65	2,65
EW, 2 point outriggers down	m	2,65	2,65	2,65	2,65	2,65	2,65	2,65

* comparable with SAE (heaped)

¹⁾ Bucket with ejector

²⁾ Ripper bucket

Lift Capacities A 900 C Litronic®

with Gooseneck Boom 5,00 m with HD Counterweight

Stick 2,25 m

Height (m)	Undercarriage	Radius of load from centerline of machine (m)			
		3,0	4,5	6,0	7,5
7,5	Stabilizers raised				
	Stabil. blade down 2 pt. outr. down Blade + 2 pt. down				
6,0	Stabilizers raised			2,7 (3,0#)	
	Stabil. blade down 2 pt. outr. down Blade + 2 pt. down			3,0# (3,0#) 3,0# (3,0#) 3,0# (3,0#)	
4,5	Stabilizers raised		4,2 (4,6#)	2,7 (4,2#)	
	Stabil. blade down 2 pt. outr. down Blade + 2 pt. down		4,6# (4,6#) 4,6# (4,6#) 4,6# (4,6#)	3,0 (4,2#) 3,6 (4,2#) 4,2# (4,2#)	
3,0	Stabilizers raised	6,9 (9,5#)	3,9 (6,0#)	2,5 (4,2)	1,8 (2,3#)
	Stabil. blade down 2 pt. outr. down Blade + 2 pt. down	7,8 (9,5#) 9,5# (9,5#) 9,5# (9,5#)	4,3 (6,0#) 5,3 (6,0#) 6,0# (6,0#)	2,8 (4,8#) 3,5 (4,8#) 4,4 (4,8#)	2,0 (2,3#) 2,3# (2,3#) 2,3# (2,3#)
1,5	Stabilizers raised		3,5 (6,1)	2,4 (4,0)	1,7 (2,9)
	Stabil. blade down 2 pt. outr. down Blade + 2 pt. down		4,0 (7,4#) 5,0 (7,4#) 6,4 (7,4#)	2,7 (5,5#) 3,3 (5,5#) 4,2 (5,5#)	1,9 (3,1#) 2,4 (3,1#) 3,1 (3,1#)
0	Stabilizers raised	5,9 (6,0#)	3,3 (5,9)	2,3 (3,9)	
	Stabil. blade down 2 pt. outr. down Blade + 2 pt. down	6,0# (6,0#) 6,0# (6,0#) 6,0# (6,0#)	3,8 (8,2#) 4,8 (8,2#) 6,2 (8,2#)	2,6 (5,9#) 3,2 (5,9#) 4,1 (5,9#)	
-1,5	Stabilizers raised	6,0 (9,2#)	3,3 (5,9)	2,3 (3,9)	
	Stabil. blade down 2 pt. outr. down Blade + 2 pt. down	6,9 (9,2#) 9,0 (9,2#) 9,2# (9,2#)	3,7 (8,2#) 4,7 (8,2#) 6,2 (8,2#)	2,5 (6,0#) 3,2 (6,0#) 4,1 (6,0#)	
-3,0	Stabilizers raised	6,2 (10,8#)	3,4 (6,0)		
	Stabil. blade down 2 pt. outr. down Blade + 2 pt. down	7,0 (10,8#) 9,2 (10,8#) 10,8# (10,8#)	3,8 (7,4#) 4,8 (7,4#) 6,3 (7,4#)		
-4,5	Stabilizers raised				
	Stabil. blade down 2 pt. outr. down Blade + 2 pt. down				

Stick 2,45 m

Height (m)	Undercarriage	Radius of load from centerline of machine (m)			
		3,0	4,5	6,0	7,5
7,5	Stabilizers raised				
	Stabil. blade down 2 pt. outr. down Blade + 2 pt. down				
6,0	Stabilizers raised			2,8 (3,2#)	
	Stabil. blade down 2 pt. outr. down Blade + 2 pt. down			3,0 (3,2#) 3,2# (3,2#) 3,2# (3,2#)	
4,5	Stabilizers raised			2,7 (4,1#)	
	Stabil. blade down 2 pt. outr. down Blade + 2 pt. down			3,0 (4,1#) 3,6 (4,1#) 4,1# (4,1#)	
3,0	Stabilizers raised	7,0 (8,9#)	3,9 (5,7#)	2,5 (4,2)	1,8 (2,8#)
	Stabil. blade down 2 pt. outr. down Blade + 2 pt. down	7,9 (8,9#) 8,9# (8,9#) 8,9# (8,9#)	4,3 (5,7#) 5,3 (5,7#) 5,7# (5,7#)	2,8 (4,7#) 3,5 (4,7#) 4,4 (4,7#)	2,0 (2,8#) 2,4 (2,8#) 2,8# (2,8#)
1,5	Stabilizers raised	5,2# (5,2#)	3,5 (6,1)	2,4 (4,0)	1,7 (2,9)
	Stabil. blade down 2 pt. outr. down Blade + 2 pt. down	5,2# (5,2#) 5,2# (5,2#) 5,2# (5,2#)	4,0 (7,2#) 4,9 (7,2#) 6,4 (7,2#)	2,7 (5,3#) 3,3 (5,3#) 4,2 (5,3#)	1,9 (3,6#) 2,4 (3,6#) 3,0 (3,6#)
0	Stabilizers raised	5,9 (6,0#)	3,3 (5,9)	2,3 (3,9)	1,7 (2,8)
	Stabil. blade down 2 pt. outr. down Blade + 2 pt. down	6,0# (6,0#) 6,0# (6,0#) 6,0# (6,0#)	3,7 (8,1#) 4,7 (8,1#) 6,2 (8,1#)	2,5 (5,8#) 3,2 (5,8#) 4,1 (5,8#)	1,9 (3,1#) 2,3 (3,1#) 3,0 (3,1#)
-1,5	Stabilizers raised	5,9 (8,8#)	3,3 (5,8)	2,2 (3,8)	
	Stabil. blade down 2 pt. outr. down Blade + 2 pt. down	6,8 (8,8#) 8,8# (8,8#) 8,8# (8,8#)	3,7 (8,2#) 4,7 (8,2#) 6,1 (8,2#)	2,5 (5,9#) 3,1 (5,9#) 4,0 (5,9#)	
-3,0	Stabilizers raised	6,1 (11,1#)	3,3 (5,9)	2,3 (3,9)	
	Stabil. blade down 2 pt. outr. down Blade + 2 pt. down	6,9 (11,1#) 9,1 (11,1#) 11,1# (11,1#)	3,7 (7,5#) 4,7 (7,5#) 6,2 (7,5#)	2,6 (5,3#) 3,2 (5,3#) 4,1 (5,3#)	
-4,5	Stabilizers raised				
	Stabil. blade down 2 pt. outr. down Blade + 2 pt. down				

Stick 2,65 m

Height (m)	Undercarriage	Radius of load from centerline of machine (m)			
		3,0	4,5	6,0	7,5
7,5	Stabilizers raised				
	Stabil. blade down 2 pt. outr. down Blade + 2 pt. down				
6,0	Stabilizers raised			2,8 (3,2#)	
	Stabil. blade down 2 pt. outr. down Blade + 2 pt. down			3,1 (3,2#) 3,2# (3,2#) 3,2# (3,2#)	
4,5	Stabilizers raised			2,7 (3,9#)	1,7# (1,7#)
	Stabil. blade down 2 pt. outr. down Blade + 2 pt. down			3,0 (3,9#) 3,6 (3,9#) 3,9# (3,9#)	1,7# (1,7#) 1,7# (1,7#) 1,7# (1,7#)
3,0	Stabilizers raised	7,1 (8,2#)	3,9 (5,5#)	2,5 (4,2)	1,8 (3,0)
	Stabil. blade down 2 pt. outr. down Blade + 2 pt. down	8,1 (8,2#) 8,2# (8,2#) 8,2# (8,2#)	4,3 (5,5#) 5,4 (5,5#) 5,5# (5,5#)	2,8 (4,5#) 3,5 (4,5#) 4,4 (4,5#)	2,0 (3,2#) 2,4 (3,2#) 3,1 (3,2#)
1,5	Stabilizers raised	6,0# (6,0#)	3,5 (6,2)	2,4 (4,0)	1,7 (2,9)
	Stabil. blade down 2 pt. outr. down Blade + 2 pt. down	6,0# (6,0#) 6,0# (6,0#) 6,0# (6,0#)	4,0 (7,0#) 5,0 (7,0#) 6,5 (7,0#)	2,6 (5,2#) 3,3 (5,2#) 4,2 (5,2#)	1,9 (4,0#) 2,4 (4,0#) 3,0 (4,0#)
0	Stabilizers raised	5,9 (6,1#)	3,3 (5,9)	2,2 (3,9)	1,6 (2,8)
	Stabil. blade down 2 pt. outr. down Blade + 2 pt. down	6,1# (6,1#) 6,1# (6,1#) 6,1# (6,1#)	3,7 (8,0#) 4,7 (8,0#) 6,2 (8,0#)	2,5 (5,8#) 3,2 (5,8#) 4,1 (5,8#)	1,8 (3,8#) 2,3 (3,8#) 3,0 (3,8#)
-1,5	Stabilizers raised	5,9 (8,4#)	3,2 (5,8)	2,2 (3,8)	
	Stabil. blade down 2 pt. outr. down Blade + 2 pt. down	6,7 (8,4#) 8,4# (8,4#) 8,4# (8,4#)	3,7 (8,2#) 4,6 (8,2#) 6,1 (8,2#)	2,5 (5,9#) 3,1 (5,9#) 4,0 (5,9#)	
-3,0	Stabilizers raised	6,0 (11,4#)	3,3 (5,9)	2,2 (3,9)	
	Stabil. blade down 2 pt. outr. down Blade + 2 pt. down	6,9 (11,4#) 9,0 (11,4#) 11,4# (11,4#)	3,7 (7,6#) 4,7 (7,6#) 6,2 (7,6#)	2,5 (5,4#) 3,1 (5,4#) 4,0 (5,4#)	
-4,5	Stabilizers raised	6,3 (8,5#)	3,5 (5,6#)		
	Stabil. blade down 2 pt. outr. down Blade + 2 pt. down	7,2 (8,5#) 8,5# (8,5#) 8,5# (8,5#)	3,9 (5,6#) 4,9 (5,6#) 5,6# (5,6#)		

The lift capacities on the load hook of the Liebherr quick change adapter 33 without attachment are stated in metric tonnes (t), and can be lifted 360° on firm, level supporting surface with blocked oscillating axle. Capacities shown in brackets are valid when the undercarriage is in longitudinal position and are established over the steering axle (travel position) with stabilizers raised, and over rigid axle with stabilizers down. Indicated loads are based on ISO 10567 standard and do not exceed 75 % of tipping or 87 % of hydraulic capacity (#). Maximum load for the quick change adapter's load hook is 10 t. Without quick change adapter, the lift capacities will increase by 110 kg, without bucket cylinder, link and lever they increase by an additional 219 kg. Lifting capacity of the excavator is limited by machine stability, hydraulic capacity and maximum permissible load of the load hook.

According to European Standard, EN 474-5: In the European Union excavators have to be equipped with an overload warning device and automatic check valves on the hoist cylinders, when they are used for lifting operations which require the use of lifting accessories.

Lift Capacities A 900 C EW [®] Litronic

with Gooseneck Boom 5,00 m with HD Counterweight

Stick 2,25 m

Height (m)	Undercarriage	Radius of load from centerline of machine (m)			
		3,0	4,5	6,0	7,5
7,5	Stabilizers raised Stabil. blade down 2 pt. outr. down				
6,0	Stabilizers raised Stabil. blade down 2 pt. outr. down			3,0 (3,0#) 3,0# (3,0#) 3,0# (3,0#)	
4,5	Stabilizers raised Stabil. blade down 2 pt. outr. down		4,6 (4,6#) 4,6# (4,6#) 4,6# (4,6#)	2,9 (4,2#) 3,2 (4,2#) 3,8 (4,2#)	
3,0	Stabilizers raised Stabil. blade down 2 pt. outr. down	7,6 (9,5#) 8,7 (9,5#) 9,5# (9,5#)	4,2 (6,0#) 4,7 (6,0#) 5,6 (6,0#)	2,8 (4,2) 3,1 (4,8#) 3,6 (4,8#)	2,0 (2,3#) 2,2 (2,3#) 2,3# (2,3#)
1,5	Stabilizers raised Stabil. blade down 2 pt. outr. down		3,9 (6,2) 4,4 (7,4#) 5,2 (7,4#)	2,6 (4,0) 2,9 (5,5#) 3,5 (5,5#)	1,9 (2,9) 2,1 (3,1#) 2,5 (3,1#)
0	Stabilizers raised Stabil. blade down 2 pt. outr. down	6,0# (6,0#) 6,0# (6,0#) 6,0# (6,0#)	3,7 (5,9) 4,2 (8,2#) 5,0 (8,2#)	2,5 (3,9) 2,8 (5,9#) 3,4 (5,9#)	
-1,5	Stabilizers raised Stabil. blade down 2 pt. outr. down	6,7 (9,2#) 7,8 (9,2#) 9,2# (9,2#)	3,6 (5,9) 4,2 (8,2#) 5,0 (8,2#)	2,5 (3,9) 2,8 (6,0#) 3,3 (6,0#)	
-3,0	Stabilizers raised Stabil. blade down 2 pt. outr. down	6,8 (10,8#) 7,9 (10,8#) 9,8 (10,8#)	3,7 (6,0) 4,2 (7,4#) 5,0 (7,4#)		
-4,5	Stabilizers raised Stabil. blade down 2 pt. outr. down				

Stick 2,45 m

Height (m)	Undercarriage	Radius of load from centerline of machine (m)			
		3,0	4,5	6,0	7,5
7,5	Stabilizers raised Stabil. blade down 2 pt. outr. down				
6,0	Stabilizers raised Stabil. blade down 2 pt. outr. down			3,0 (3,2#) 3,2# (3,2#) 3,2# (3,2#)	
4,5	Stabilizers raised Stabil. blade down 2 pt. outr. down			2,9 (4,1#) 3,2 (4,1#) 3,8 (4,1#)	
3,0	Stabilizers raised Stabil. blade down 2 pt. outr. down	7,7 (8,9#) 8,9# (8,9#) 8,9# (8,9#)	4,2 (5,7#) 4,8 (5,7#) 5,6 (5,7#)	2,8 (4,2) 3,1 (4,7#) 3,6 (4,7#)	1,9 (2,8#) 2,2 (2,8#) 2,6 (2,8#)
1,5	Stabilizers raised Stabil. blade down 2 pt. outr. down	5,2# (5,2#) 5,2# (5,2#) 5,2# (5,2#)	3,9 (6,2) 4,4 (7,2#) 5,2 (7,2#)	2,6 (4,0) 2,9 (5,3#) 3,4 (5,3#)	1,9 (2,9) 2,1 (3,6#) 2,5 (3,6#)
0	Stabilizers raised Stabil. blade down 2 pt. outr. down	6,0# (6,0#) 6,0# (6,0#) 6,0# (6,0#)	3,7 (5,9) 4,2 (8,1#) 5,0 (8,1#)	2,5 (3,9) 2,8 (5,8#) 3,3 (5,8#)	1,8 (2,8) 2,1 (3,1#) 2,4 (3,1#)
-1,5	Stabilizers raised Stabil. blade down 2 pt. outr. down	6,6 (8,8#) 7,7 (8,8#) 8,8# (8,8#)	3,6 (5,9) 4,1 (8,2#) 4,9 (8,2#)	2,4 (3,8) 2,8 (5,9#) 3,3 (5,9#)	
-3,0	Stabilizers raised Stabil. blade down 2 pt. outr. down	6,7 (11,1#) 7,8 (11,1#) 9,7 (11,1#)	3,7 (5,9) 4,2 (7,5#) 5,0 (7,5#)	2,5 (3,9) 2,8 (5,3#) 3,3 (5,3#)	
-4,5	Stabilizers raised Stabil. blade down 2 pt. outr. down				

Stick 2,65 m

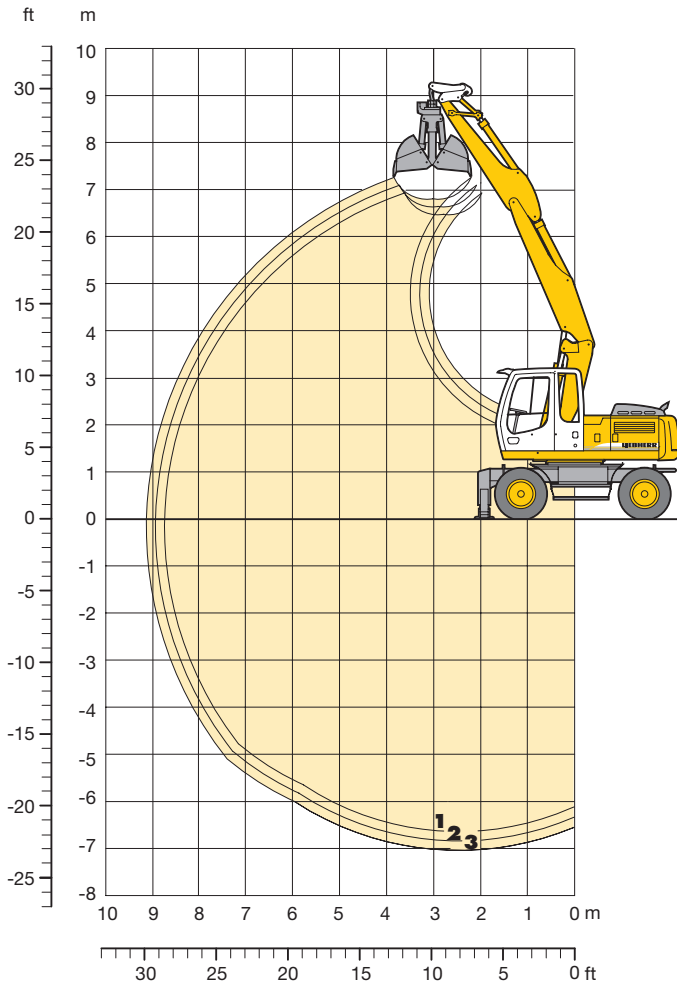
Height (m)	Undercarriage	Radius of load from centerline of machine (m)			
		3,0	4,5	6,0	7,5
7,5	Stabilizers raised Stabil. blade down 2 pt. outr. down				
6,0	Stabilizers raised Stabil. blade down 2 pt. outr. down			3,0 (3,2#) 3,2# (3,2#) 3,2# (3,2#)	
4,5	Stabilizers raised Stabil. blade down 2 pt. outr. down			2,9 (3,9#) 3,3 (3,9#) 3,8 (3,9#)	1,7# (1,7#) 1,7# (1,7#) 1,7# (1,7#)
3,0	Stabilizers raised Stabil. blade down 2 pt. outr. down	7,9 (8,2#) 8,2# (8,2#) 8,2# (8,2#)	4,3 (5,5#) 4,8 (5,5#) 5,5# (5,5#)	2,8 (4,2) 3,1 (4,5#) 3,6 (4,5#)	1,9 (3,0) 2,2 (3,2#) 2,6 (3,2#)
1,5	Stabilizers raised Stabil. blade down 2 pt. outr. down	6,0# (6,0#) 6,0# (6,0#) 6,0# (6,0#)	3,9 (6,2) 4,4 (7,0#) 5,2 (7,0#)	2,6 (4,0) 2,9 (5,2#) 3,4 (5,2#)	1,9 (2,9) 2,1 (4,0#) 2,5 (4,0#)
0	Stabilizers raised Stabil. blade down 2 pt. outr. down	6,1# (6,1#) 6,1# (6,1#) 6,1# (6,1#)	3,6 (5,9) 4,2 (8,0#) 5,0 (8,0#)	2,5 (3,9) 2,8 (5,8#) 3,3 (5,8#)	1,8 (2,8) 2,0 (3,8#) 2,4 (3,8#)
-1,5	Stabilizers raised Stabil. blade down 2 pt. outr. down	6,5 (8,4#) 7,6 (8,4#) 8,4# (8,4#)	3,6 (5,8) 4,1 (8,2#) 4,9 (8,2#)	2,4 (3,8) 2,7 (5,9#) 3,3 (5,9#)	
-3,0	Stabilizers raised Stabil. blade down 2 pt. outr. down	6,7 (11,4#) 7,8 (11,4#) 9,6 (11,4#)	3,6 (5,9) 4,1 (7,6#) 4,9 (7,6#)	2,4 (3,9) 2,8 (5,4#) 3,3 (5,4#)	
-4,5	Stabilizers raised Stabil. blade down 2 pt. outr. down	7,0 (8,5#) 8,1 (8,5#) 8,5# (8,5#)	3,8 (5,6#) 4,3 (5,6#) 5,2 (5,6#)		

The lift capacities on the load hook of the Liebherr quick change adapter 33 without attachment are stated in metric tonnes (t), and can be lifted 360° on firm, level supporting surface with blocked oscillating axle. Capacities shown in brackets are valid when the undercarriage is in longitudinal position and are established over the steering axle (travel position) with stabilizers raised, and over rigid axle with stabilizers down. Indicated loads are based on ISO 10567 standard and do not exceed 75 % of tipping or 87 % of hydraulic capacity (#). Maximum load for the quick change adapter's load hook is 10 t. Without quick change adapter, the lift capacities will increase by 110 kg, without bucket cylinder, link and lever they increase by an additional 219 kg. Lifting capacity of the excavator is limited by machine stability, hydraulic capacity and maximum permissible load of the load hook.

According to European Standard, EN 474-5: In the European Union excavators have to be equipped with an overload warning device and automatic check valves on the hoist cylinders, when they are used for lifting operations which require the use of lifting accessories.

Clamshell Attachment

with Hydr. Adjustable Boom 3,40 m



Digging Envelope		1	2	3
Stick length	m	2,25	2,45	2,65
Max. digging depth	m	6,60	6,80	7,00
Max. reach at ground level	m	8,70	8,90	9,10
Max. dumping height	m	6,50	6,65	6,80

Clamshell Model		8 B	10 B
Max. tooth force		52 kN (5,3 t)	73 kN (7,4 t)
Max. torque of hydr. swivel		1,40 kNm	1,76 kNm

Operating Weight

The operating weight includes the basic machine with 8 tires plus spacer rings, hydr. adjustable boom 3,40 m, stick 2,25 m, quick change adapter 33 and clamshell model 10 B/0,45 m³.

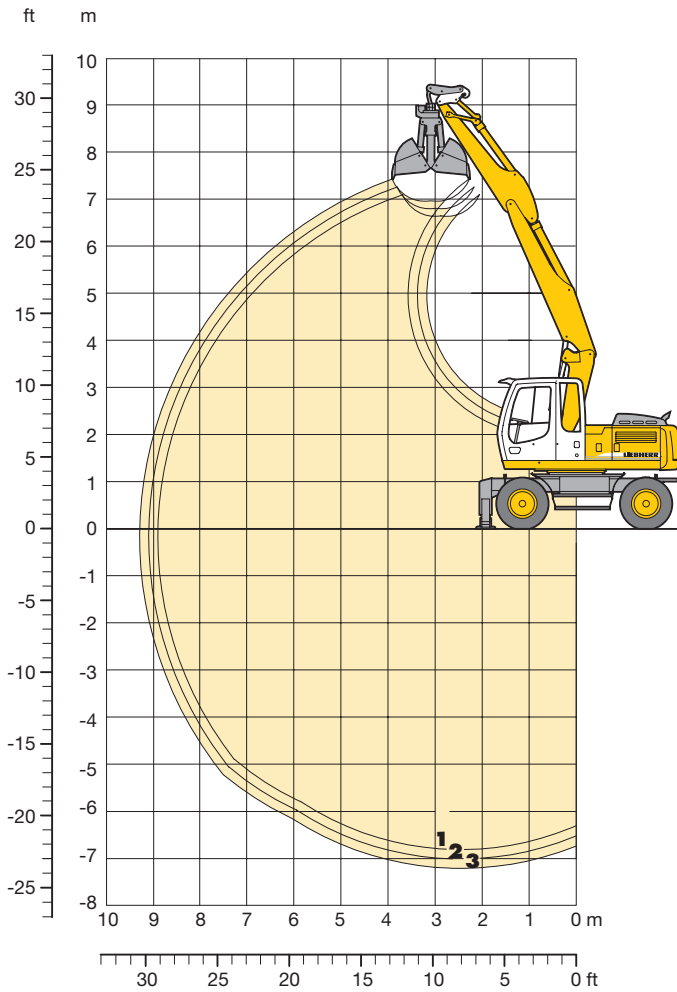
Undercarriage versions	Weight
A 900 C Litronic [®] with stabilizer blade	17000 kg
A 900 C Litronic [®] with 2 pt. outriggers	17100 kg
A 900 C Litronic [®] with stabil. blade + 2 pt. outr.	17950 kg
A 900 C EW Litronic [®] with stabilizer blade	17100 kg
A 900 C EW Litronic [®] with 2 pt. outriggers	17200 kg

Clamshell Model 8 B		without ejector					with ejector			
Width of shells	mm	320	400	600	800	1000	320	400	600	800
Capacity	m ³	0,17	0,22	0,30	0,40	0,80	0,17	0,22	0,30	0,40
Max. material weight	t/m ³	1,8	1,8	1,8	1,8	1,2	1,8	1,8	1,8	1,8
Weight incl. suspension and hydr. swivel	kg	710	750	750	800	900	760	810	830	890
For machine stability per ISO 10567 the max. stick length is:										
Stabilizers raised	m	2,65	2,65	2,65	2,45	–	2,65	2,65	2,65	2,25
Stabilizer blade down	m	2,65	2,65	2,65	2,65	–	2,65	2,65	2,65	2,65
2 point outriggers down	m	2,65	2,65	2,65	2,65	2,45	2,65	2,65	2,65	2,65
Blade + 2-pt. outr. down	m	2,65	2,65	2,65	2,65	2,45	2,65	2,65	2,65	2,65
EW, stabilizers raised	m	2,65	2,65	2,65	2,65	–	2,65	2,65	2,65	2,45
EW, stabilizer blade down	m	2,65	2,65	2,65	2,65	2,45	2,65	2,65	2,65	2,65
EW, 2 point outriggers down	m	2,65	2,65	2,65	2,65	2,45	2,65	2,65	2,65	2,65

Clamshell Model 10 B		without ejector					with ejector			
Width of shells	mm	320	400	600	800	1000	320	400	600	800
Capacity	m ³	0,17	0,22	0,35	0,45	0,60	0,17	0,22	0,35	0,45
Max. material weight	t/m ³	1,8	1,8	1,8	1,8	1,8	1,8	1,8	1,8	1,8
Weight incl. suspension and hydr. swivel	kg	770	820	860	910	970	820	880	950	1010
For machine stability per ISO 10567 the max. stick length is:										
Stabilizers raised	m	2,65	2,65	2,45	–	–	2,65	2,65	2,25	–
Stabilizer blade down	m	2,65	2,65	2,65	2,45	–	2,65	2,65	2,65	–
2 point outriggers down	m	2,65	2,65	2,65	2,65	2,25	2,65	2,65	2,65	2,65
Blade + 2-pt. outr. down	m	2,65	2,65	2,65	2,65	2,25	2,65	2,65	2,65	2,65
EW, stabilizers raised	m	2,65	2,65	2,65	2,25	–	2,65	2,65	2,65	–
EW, stabilizer blade down	m	2,65	2,65	2,65	2,65	–	2,65	2,65	2,65	2,65
EW, 2 point outriggers down	m	2,65	2,65	2,65	2,65	2,25	2,65	2,65	2,65	2,65

Clamshell Attachment

with Hydr. Adjustable Boom 3,60 m with HD Counterweight



Digging Envelope		1	2	3
Stick length	m	2,25	2,45	2,65
Max. digging depth	m	6,80	7,00	7,20
Max. reach at ground level	m	8,90	9,10	9,30
Max. dumping height	m	6,65	6,80	7,00

Clamshell Model	8 B	10 B
Max. tooth force	52 kN (5,3 t)	73 kN (7,4 t)
Max. torque of hydr. swivel	1,40 kNm	1,76 kNm

Operating Weight

The operating weight includes the basic machine with 8 tires plus spacer rings, hydr. adjustable boom 3,46 m with HD counterweight, stick 2,25 m, quick change adapter 33 and clamshell model 10 B/ 0,45 m³.

Undercarriage versions	Weight
A 900 C Litronic with stabilizer blade	17400 kg
A 900 C Litronic with 2 pt. outriggers	17500 kg
A 900 C Litronic with stabil. blade + 2 pt. outr.	18350 kg
A 900 C EW Litronic with stabilizer blade	17500 kg
A 900 C EW Litronic with 2 pt. outriggers	17600 kg

Clamshell Model 8 B

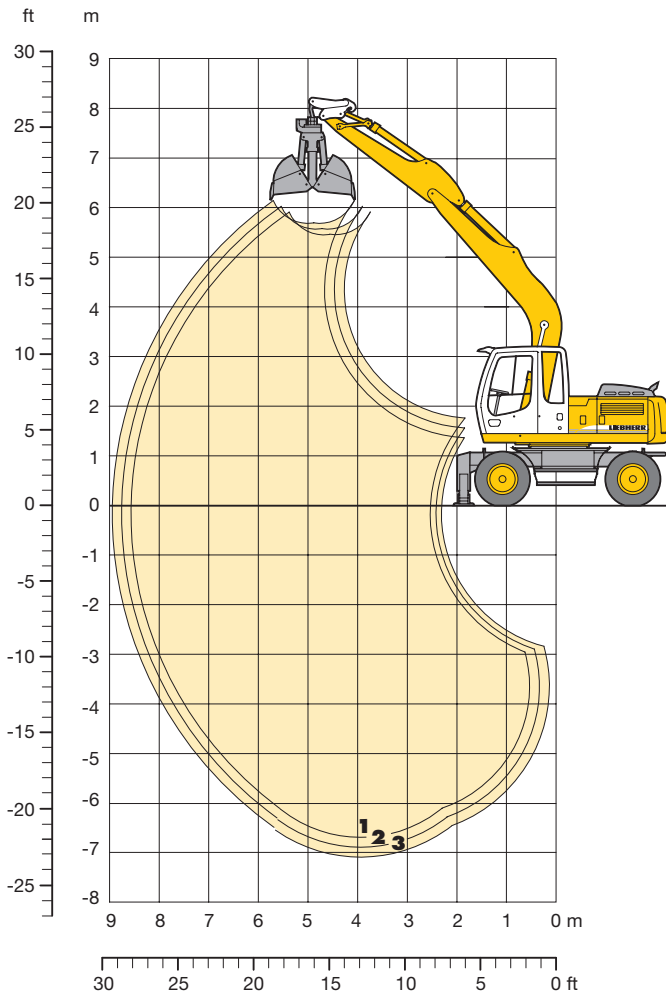
		without ejector					with ejector			
Width of shells	mm	320	400	600	800	1000	320	400	600	800
Capacity	m ³	0,17	0,22	0,30	0,40	0,80	0,17	0,22	0,30	0,40
Max. material weight	t/m ³	1,8	1,8	1,8	1,8	1,2	1,8	1,8	1,8	1,8
Weight incl. suspension and hydr. swivel	kg	710	750	750	800	900	760	810	830	890
For machine stability per ISO 10567 the max. stick length is:										
Stabilizers raised	m	2,65	2,65	2,65	2,45	–	2,65	2,65	2,65	2,25
Stabilizer blade down	m	2,65	2,65	2,65	2,65	–	2,65	2,65	2,65	2,65
2 point outriggers down	m	2,65	2,65	2,65	2,65	2,45	2,65	2,65	2,65	2,65
Blade + 2-pt. outr. down	m	2,65	2,65	2,65	2,65	2,45	2,65	2,65	2,65	2,65
EW, stabilizers raised	m	2,65	2,65	2,65	2,65	–	2,65	2,65	2,65	2,65
EW, stabilizer blade down	m	2,65	2,65	2,65	2,65	2,45	2,65	2,65	2,65	2,65
EW, 2 point outriggers down	m	2,65	2,65	2,65	2,65	2,45	2,65	2,65	2,65	2,65

Clamshell Model 10 B

		without ejector					with ejector			
Width of shells	mm	320	400	600	800	1000	320	400	600	800
Capacity	m ³	0,17	0,22	0,35	0,45	0,60	0,17	0,22	0,35	0,45
Max. material weight	t/m ³	1,8	1,8	1,8	1,8	1,8	1,8	1,8	1,8	1,8
Weight incl. suspension and hydr. swivel	kg	770	820	860	910	970	820	880	950	1010
For machine stability per ISO 10567 the max. stick length is:										
Stabilizers raised	m	2,65	2,65	2,45	–	–	2,65	2,65	2,25	–
Stabilizer blade down	m	2,65	2,65	2,65	2,45	–	2,65	2,65	2,65	–
2 point outriggers down	m	2,65	2,65	2,65	2,65	2,25	2,65	2,65	2,65	2,65
Blade + 2-pt. outr. down	m	2,65	2,65	2,65	2,65	2,25	2,65	2,65	2,65	2,65
EW, stabilizers raised	m	2,65	2,65	2,65	2,25	–	2,65	2,65	2,65	–
EW, stabilizer blade down	m	2,65	2,65	2,65	2,65	–	2,65	2,65	2,65	2,65
EW, 2 point outriggers down	m	2,65	2,65	2,65	2,65	2,25	2,65	2,65	2,65	2,65

Clamshell Attachment

with Gooseneck Boom 5,00 m/5,00 m with HD Counterweight



Digging Envelope		1	2	3
Stick length	m	2,25	2,45	2,65
Max. digging depth	m	6,70	6,90	7,10
Max. reach at ground level	m	8,60	8,80	9,00
Max. dumping height	m	5,45	5,60	5,70

Clamshell Model		8 B	10 B
Max. tooth force		52 kN (5,3 t)	73 kN (7,4 t)
Max. torque of hydr. swivel		1,40 kNm	1,76 kNm

Operating Weight

The operating weight includes the basic machine with 8 tires plus spacer rings, gooseneck boom 5,00 m/5,00 m with HD counterweight, stick 2,25 m, quick change adapter 33 and clamshell model 10 B/ 0,45 m³.

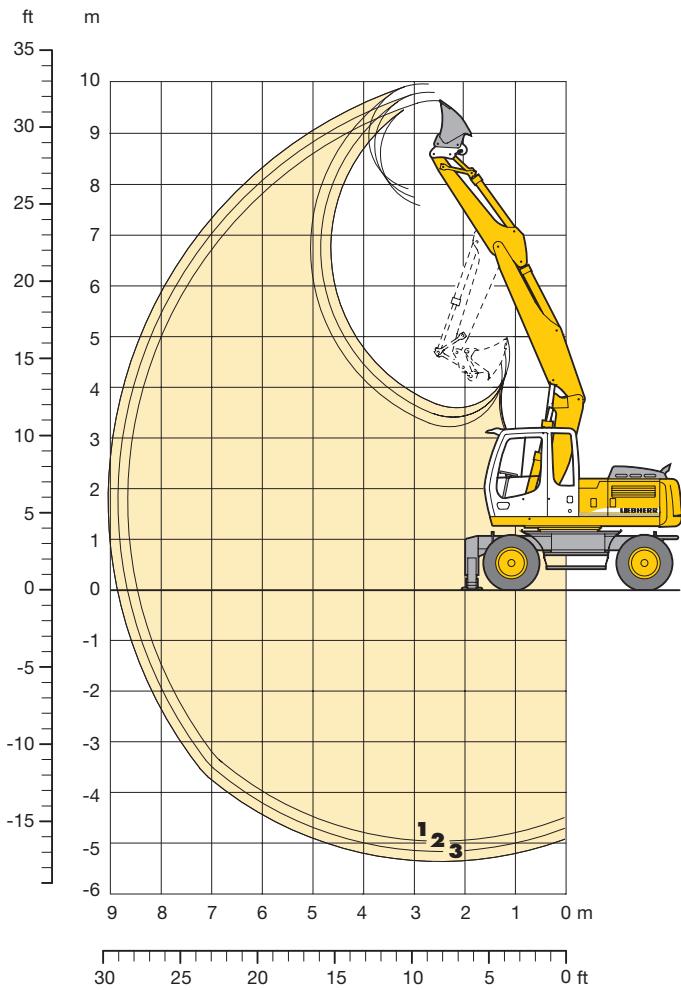
Undercarriage versions	Weight	
		HD
A 900 C Litronic [®] with stabilizer blade	16600 kg	17000 kg
A 900 C Litronic [®] with 2 pt. outriggers	16700 kg	17050 kg
A 900 C Litronic [®] with stabil. blade + 2 pt. outr.	17500 kg	17900 kg
A 900 C EW Litronic [®] with stabilizer blade	16700 kg	17100 kg
A 900 C EW Litronic [®] with 2 pt. outriggers	16800 kg	17200 kg

Clamshell Model 8 B		without ejector					with ejector			
Width of shells	mm	320	400	600	800	1000	320	400	600	800
Capacity	m ³	0,17	0,22	0,30	0,40	0,80	0,17	0,22	0,30	0,40
Max. material weight	t/m ³	1,8	1,8	1,8	1,8	1,2	1,8	1,8	1,8	1,8
Weight incl. suspension and hydr. swivel	kg	710	750	750	800	900	760	810	830	890
For machine stability per ISO 10567 the max. stick length is:										
Stabilizers raised	m	2,65	2,65	2,65	2,65	–	2,65	2,65	2,65	2,25
Stabilizer blade down	m	2,65	2,65	2,65	2,65	2,25	2,65	2,65	2,65	2,65
2 point outriggers down	m	2,65	2,65	2,65	2,65	2,65	2,65	2,65	2,65	2,65
Blade + 2-pt. outr. down	m	2,65	2,65	2,65	2,65	2,65	2,65	2,65	2,65	2,65
EW, stabilizers raised	m	2,65	2,65	2,65	2,65	–	2,65	2,65	2,65	2,65
EW, stabilizer blade down	m	2,65	2,65	2,65	2,65	2,65	2,65	2,65	2,65	2,65
EW, 2 point outriggers down	m	2,65	2,65	2,65	2,65	2,65	2,65	2,65	2,65	2,65

Clamshell Model 10 B		without ejector					with ejector			
Width of shells	mm	320	400	600	800	1000	320	400	600	800
Capacity	m ³	0,17	0,22	0,35	0,45	0,60	0,17	0,22	0,35	0,45
Max. material weight	t/m ³	1,8	1,8	1,8	1,8	1,8	1,8	1,8	1,8	1,8
Weight incl. suspension and hydr. swivel	kg	770	820	860	910	970	820	880	950	1010
For machine stability per ISO 10567 the max. stick length is:										
Stabilizers raised	m	2,65	2,65	2,65	–	–	2,65	2,65	2,45	–
Stabilizer blade down	m	2,65	2,65	2,65	2,65	–	2,65	2,65	2,65	2,25
2 point outriggers down	m	2,65	2,65	2,65	2,65	2,45	2,65	2,65	2,65	2,65
Blade + 2-pt. outr. down	m	2,65	2,65	2,65	2,65	2,45	2,65	2,65	2,65	2,65
EW, stabilizers raised	m	2,65	2,65	2,65	2,45	–	2,65	2,65	2,65	2,25
EW, stabilizer blade down	m	2,65	2,65	2,65	2,65	2,25	2,65	2,65	2,65	2,65
EW, 2 point outriggers down	m	2,65	2,65	2,65	2,65	2,45	2,65	2,65	2,65	2,65

Ditchcleaning Attachment

with Hydr. Adjustable Boom 3,40 m



Digging Envelope

		1	2	3
Stick length	m	2,25	2,45	2,65
Max. digging depth	m	4,95	5,15	5,35
Max. reach at ground level	m	8,40	8,60	8,80
Max. dumping height	m	7,60	7,75	7,90
Max. teeth height	m	9,65	9,80	10,00

Operating Weight

The operating weight includes the basic machine with 8 tires plus spacer rings, hydr. adjustable boom 3,40 m, stick 2,25 m, quick change adapter 33 and ditchcleaning bucket 2000 mm/0,50 m³.

Undercarriage versions	Weight
A 900 C Litronic with stabilizer blade	16450 kg
A 900 C Litronic with 2 pt. outriggers	16550 kg
A 900 C Litronic with stabil. blade + 2 pt. outr.	17400 kg
A 900 C EW Litronic with stabilizer blade	16550 kg
A 900 C EW Litronic with 2 pt. outriggers	16650 kg

Ditchcleaning Buckets

with 2 x 50° rotator

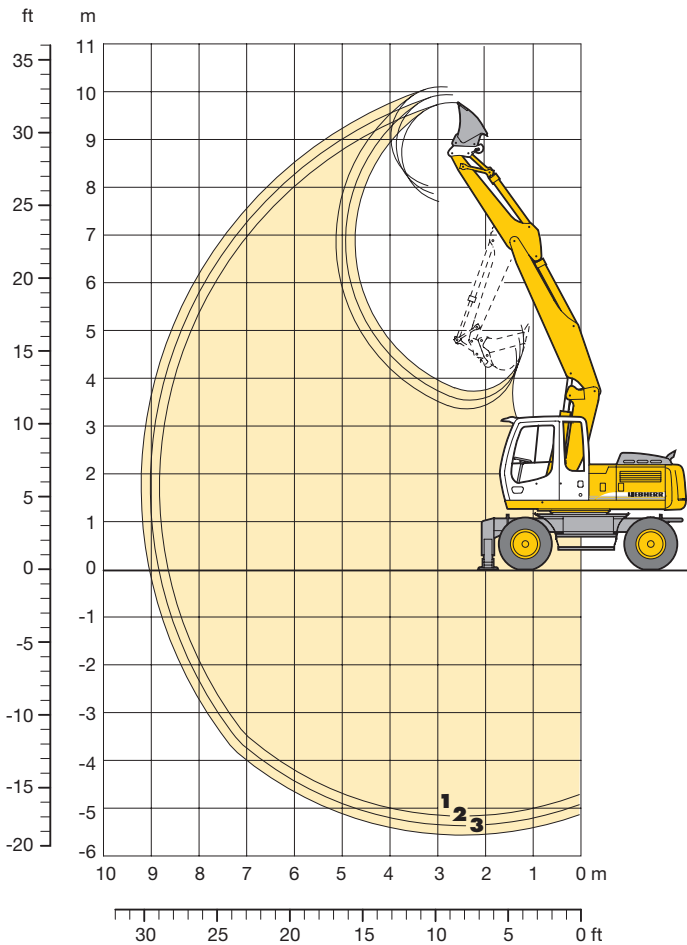
Cutting width	mm	1700	2000 ¹⁾	2000	1600	2000	2000
Capacity ISO 7451*	m ³	0,30	0,50	0,65	0,80	0,50	0,70
Max. material weight	t/m ³	1,8	1,8	1,8	1,2	1,8	1,6
Weight of bucket	kg	280	330	360	780	650	775
For machine stability per ISO 10567 the max. stick length is:							
Stabilizers raised	m	2,65	2,65	2,45	–	2,25	–
Stabilizer blade down	m	2,65	2,65	2,65	2,25	2,65	–
2 point outriggers down	m	2,65	2,65	2,65	2,65	2,65	2,45
Blade + 2-pt. outr. down	m	2,65	2,65	2,65	2,65	2,65	2,45
EW, stabilizers raised	m	2,65	2,65	2,65	2,25	2,65	–
EW, stabilizer blade down	m	2,65	2,65	2,65	2,65	2,65	2,45
EW, 2 point outriggers down	m	2,65	2,65	2,65	2,65	2,65	2,45

* comparable with SAE (heaped)

¹⁾ Bucket for narrow bottomed ditches

Ditchcleaning Attachment

with Hydr. Adjustable Boom 3,60 m with HD Counterweight



Digging Envelope

		1	2	3
Stick length	m	2,25	2,45	2,65
Max. digging depth	m	5,15	5,35	5,55
Max. reach at ground level	m	8,60	8,80	9,00
Max. dumping height	m	7,75	7,90	8,10
Max. teeth height	m	9,80	10,00	10,15

Operating Weight

The operating weight includes the basic machine with 8 tires plus spacer rings, hydr. adjustable boom 3,60 m with HD counterweight, stick 2,25 m, quick change adapter 33 and ditchcleaning bucket 2000 mm/0,50 m³.

Undercarriage versions	Weight
A 900 C Litronic [®] with stabilizer blade	16800 kg
A 900 C Litronic [®] with 2 pt. outriggers	16900 kg
A 900 C Litronic [®] with stabil. blade + 2 pt. outr.	17750 kg
A 900 C EW Litronic [®] with stabilizer blade	16900 kg
A 900 C EW Litronic [®] with 2 pt. outriggers	17000 kg

Ditchcleaning Buckets

with 2 x 50° rotator

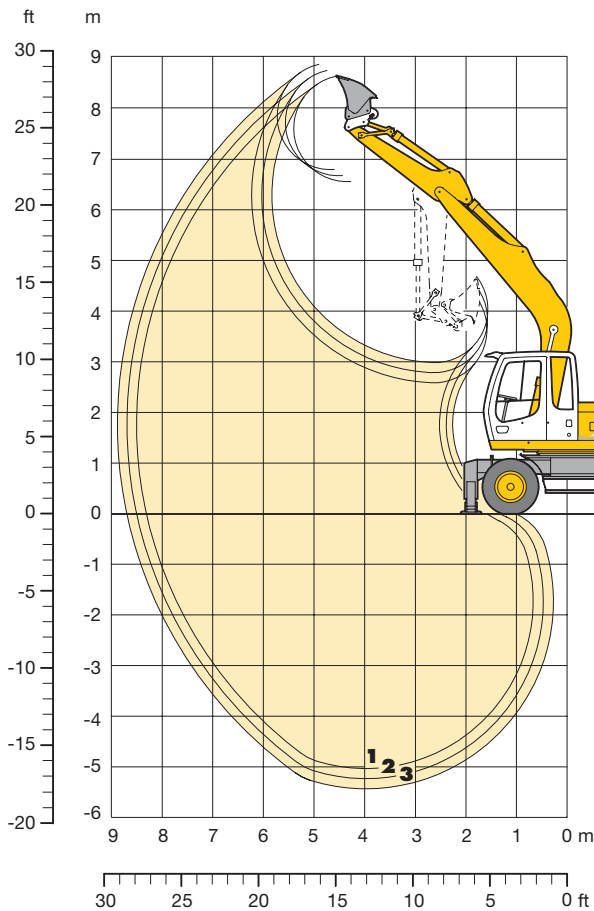
Cutting width	mm	1700	2000 ¹⁾	2000	1600	2000	2000
Capacity ISO 7451*	m ³	0,30	0,50	0,65	0,80	0,50	0,70
Max. material weight	t/m ³	1,8	1,8	1,8	1,2	1,8	1,6
Weight of bucket	kg	280	330	360	780	650	775
For machine stability per ISO 10567 the max. stick length is:							
Stabilizers raised	m	2,65	2,65	2,45	–	2,45	–
Stabilizer blade down	m	2,65	2,65	2,65	2,25	2,65	–
2 point outriggers down	m	2,65	2,65	2,65	2,65	2,65	2,45
Blade + 2-pt. outr. down	m	2,65	2,65	2,65	2,65	2,65	2,45
EW, stabilizers raised	m	2,65	2,65	2,65	2,25	2,65	–
EW, stabilizer blade down	m	2,65	2,65	2,65	2,65	2,65	2,45
EW, 2 point outriggers down	m	2,65	2,65	2,65	2,65	2,65	2,45

* comparable with SAE (heaped)

¹⁾ Bucket for narrow bottomed ditches

Ditchcleaning Attachment

with Gooseneck Boom 5,00 m/5,00 m wth HD Counterweight



Digging Envelope

		1	2	3
Stick length	m	2,25	2,45	2,65
Max. digging depth	m	5,00	5,20	5,40
Max. reach at ground level	m	8,30	8,50	8,70
Max. dumping height	m	6,55	6,70	6,85
Max. teeth height	m	8,65	8,75	8,90

Operating Weight

The operating weight includes the basic machine with 8 tires plus spacer rings, gooseneck boom 5,00 m/5,00 m with HD counterweight, stick 2,25 m, quick change adapter 33 and ditchcleaning bucket 2000 mm/0,50 m³.

Undercarriage versions	Weight	
		HD
A 900 C Litronic with stabilizer blade	16000 kg	16400 kg
A 900 C Litronic with 2 pt. outriggers	16100 kg	16500 kg
A 900 C Litronic with stabil. blade + 2 pt. outr.	16950 kg	17350 kg
A 900 C EW Litronic with stabilizer blade	16100 kg	16500 kg
A 900 C EW Litronic with 2 pt. outriggers	16200 kg	16600 kg

Ditchcleaning Buckets

with 2 x 50° rotator

Cutting width	mm	1700	2000 ¹⁾	2000	1600	2000	2000
Capacity ISO 7451*	m ³	0,30	0,50	0,65	0,80	0,50	0,70
Max. material weight	t/m ³	1,8	1,8	1,8	1,2	1,8	1,6
Weight of bucket	kg	280	330	360	780	650	775

For machine stability per ISO 10567 the max. stick length is:

Stabilizers raised	m	2,65	2,65	2,45	–	2,25	–
Stabilizer blade down	m	2,65	2,65	2,65	2,25	2,65	–
2 point outriggers down	m	2,65	2,65	2,65	2,65	2,65	2,45
Blade + 2-pt. outr. down	m	2,65	2,65	2,65	2,65	2,65	2,45
EW, stabilizers raised	m	2,65	2,65	2,65	2,25	2,65	–
EW, stabilizer blade down	m	2,65	2,65	2,65	2,65	2,65	2,45
EW, 2 point outriggers down	m	2,65	2,65	2,65	2,65	2,65	2,45

Ditchcleaning Buckets with HD-Counterweight

with 2 x 50° rotator

Cutting width	mm	1700	2000 ¹⁾	2000	1600	2000	2000
Capacity ISO 7451*	m ³	0,30	0,50	0,65	0,80	0,50	0,70
Max. material weight	t/m ³	1,8	1,8	1,8	1,2	1,8	1,6
Weight of bucket	kg	280	330	360	780	650	775

For machine stability per ISO 10567 the max. stick length is:

Stabilizers raised	m	2,65	2,65	2,65	2,25	2,65	–
Stabilizer blade down	m	2,65	2,65	2,65	2,65	2,65	2,25
2 point outriggers down	m	2,65	2,65	2,65	2,65	2,65	2,45
Blade + 2-pt. outr. down	m	2,65	2,65	2,65	2,65	2,65	2,45
EW, stabilizers raised	m	2,65	2,65	2,65	2,65	2,65	2,25
EW, stabilizer blade down	m	2,65	2,65	2,65	2,65	2,65	2,45
EW, 2 point outriggers down	m	2,65	2,65	2,65	2,65	2,65	2,45

* comparable with SAE (heaped)

¹⁾ Bucket for narrow bottomed ditches

Equipment



Undercarriage

	S	O
Two circuit travel brake with accumulator	•	
Wide tires		•
Travel motor protection		•
Clam travel bracket with outriggers/prop-up blade down on one side only	•	
Creeper speed electrically switchable from cab	•	
New tires	•	
Service free parking brake inside transmission	•	
Independent outrigger control		•
Choice of tires		•
Auto check valve directly on each stabilizer cylinder	•	
Proportional power steering with mechanical back up	•	
Customized colors		•
Lockable storage box		•
Two lockable storage boxes	•	
Lockable storage box additional		•
Two-speed power shift transmission	•	



Uppercarriage

	S	O
Electric fuel tank filler pump		•
Maintenance-free swing brake lock	•	
Handrails, Non slip surfaces	•	
Main switch for electric circuit	•	
Engine hood with lift help	•	
Pedal controlled positioning swing brake		•
Reverse travel warning system		•
Sound insulation	•	
Customized colors		•
Pin lock upper/lower	•	
Maintenance-free HD-batteries	•	
Extended tool kit		•
Lockable tool box	•	
Tool kit	•	



Hydraulics

	S	O
Hydraulic tank shut-off valve	•	
Extra hydr. control for hydr. swivel	•	
Pressure compensation	•	
Hook up for pressure checks	•	
Pressure storage for controlled lowering of attachments with engine turned off	•	
Filter with partial micro filtration (5 µm)	•	
Electronic pump regulation	•	
Stepless mode system		•
Flow compensation	•	
Four mixed modes, can also be adjusted	•	
Full flow micro filtration		•
Bio degradable hydraulic oil		•
Pressure compensation		•
Flow summation		•
Additional hydraulic circuits		•



Engine

	S	O
Turbo charger	•	
Direct injection	•	
Cold start aid		•
Sensor controlled engine idling	•	
Air filter with pre-cleaner main- and safety element	•	



Operator's Cab

	S	O
Storage tray	•	
Displays for engine operating condition	•	
Mechanical hour meters, readable from outside the cab	•	
Roof hatch	•	
All-round adjustable roof vent		•
6-way adjustable seat	•	
Airpressure operator seat with heating and head-rest		•
Seat and consoles independently adjustable	•	
Extinguisher		•
Removable customized foot mat	•	
Dome light	•	
Inside rear mirror	•	
Cab heater with defroster	•	
Cloth hook	•	
Air conditioning	•	
Electric cool box		•
Steering wheel adjustable	•	
Bullet proof window (fixed installation – can not be opened)		•
Stereo radio		•
Preparation for radio installation		•
Rain hood over front window opening	•	
Beacon		•
All tinted windows	•	
Door with sliding window	•	
Optical and acoustical warning if outriggers are not fully retracted		•
Auxiliary heating		•
Sun shade	•	
Sun roller blind	•	
Electronic drive away lock		•
Wiper/washer	•	
Cigarette lighter and ashtray	•	
Additional flood lights		•



Attachment

	S	O
Flood lights on boom	•	
Offset feature for complete attachment		•
Hydr. lines for clam operation on stick	•	
Sealed pivots	•	
Safety lift hook on hoe buckets	•	
Liebherr line of clams		•
Likufix	•	
Safety check valves on hoist cylinder	•	
Safety check valves on stick cylinder	•	
SAE-dbl flange connection for all hi-pressure lines		•
Hose quick connection	•	
Centralized lube points	•	
Hydraulic or manual quick change tool adapter		•
Customized colors	•	
Special buckets and other tools		•
Overload warning device		•
Two way valves for bucket/clam use	•	
Locking of connections for clam operation	•	
Y-flange seals at bucket/stick pivot		•
Cylinders with shock absorber	•	

S = Standard, O = Option

Options and/or special attachments, supplied by vendors other than Liebherr, are only to be installed with the knowledge and approval of Liebherr to retain warranty.

Liebherr-Hydraulikbagger GmbH

D-88457 Kirchdorf/Iller

+49 (0)7354 80-0, Fax +49 (0)7354 80-72 94

www.liebherr.com, E-Mail: info@lhb.liebherr.com