

MANISCOPIC

MLT 629/633

- Maximum lifting height : 6.05 m
- Capacity : 2900/3300 kg
- Maximum forward reach : 3.25 m
- Torque convertor



MLT 629/633 T



Lifting capacity 2900 kg 3300 kg
 at 500 mm from forks heels.
Tipping load at maximum reach : 1527 kg 1958 kg
Tear out force with bucket
 to ISO 8313 5200 daN 5200 daN



Lifting height : 6.05 m
Times : unladen / loaded (in s)
 Lifting 5.6/6.5
 Lowering 4.1/3.8
 Boom extension 4.9/5.3
 Boom retraction 2.6/2.3
Time unladen (in s)
 Crowd 3
 Dump 2.6



Tyres 15.5/80 - 24
 Turbo : 17.5 LR 24



Forks (mm)
 Length 1200
 Width x thickness 125 X 45
 Maximum distance between forks 1260
 Carriage rotation 146°



Multidisc brakes - hydraulically assisted on 4 wheels



Perkins engine
 1004.42 4233 cm³
 Turbo : 1004.40 T/Turbo 120 : 1004.40 TW 3990 cm³
 Power at 2200 rpm 81,5 HP/60 kw
 (ISO/TR 14396) Turbo 104 HP/76.5 kw
 Turbo 120 123 HP/90.5 kw
 Maximum torque : 290 Nm at 1400 r.p.m.
 Maximum torque : Turbo 394 Nm at 1400 r.p.m.
 Maximum torque : Turbo 120 434 Nm at 1500 r.p.m.
 Direct Injection
 Water cooling



Transmission Torque Convertor
 Electro - Hydraulic reversing shift
 4 speeds forward and reverse
 Maximum travel speed 25 km/h
 Option : Powershift for MLT 633
 Maximum travel 40 km/h



Hydraulics
 Lifting/tilting pump
 gear type: 250 bars - 105 l/mn
 Flow divider with priority to steering and braking
 Load Sensing for MLT 633 270 bars - 144 l/mn



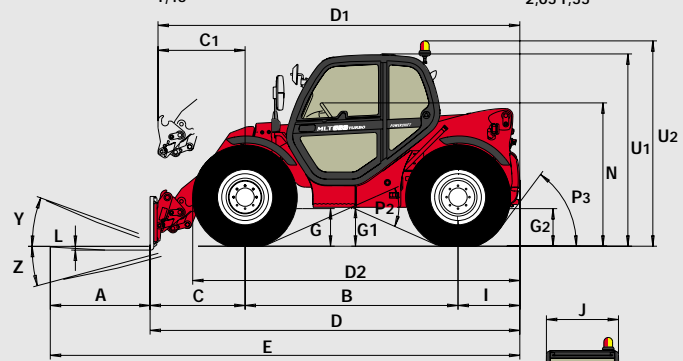
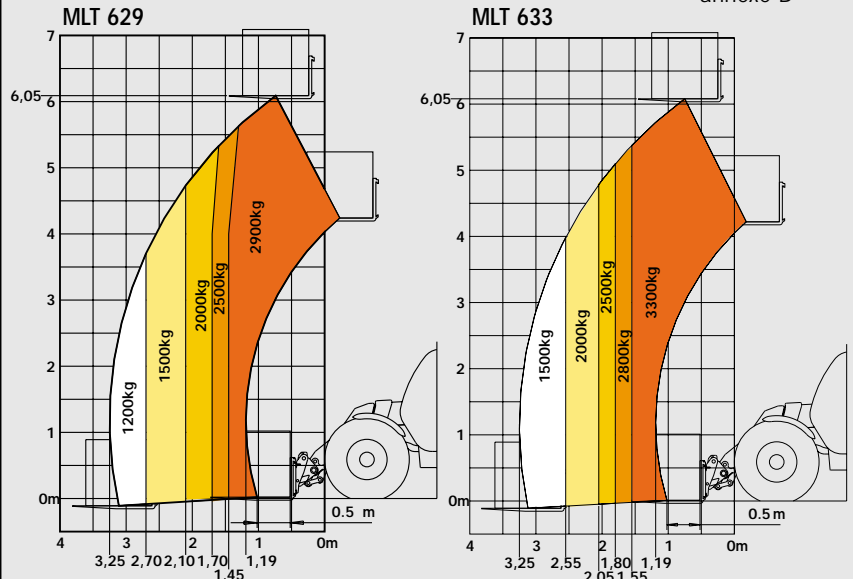
Capacities
 Hydraulic oil 125 l.
 Fuel tank 120 l.



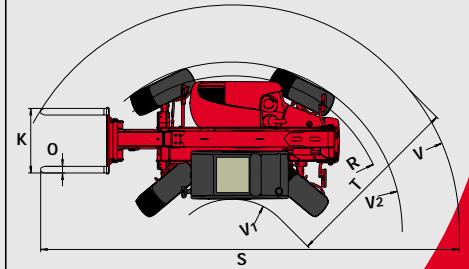
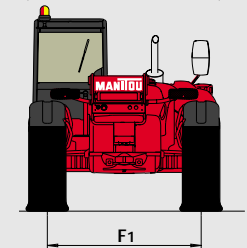
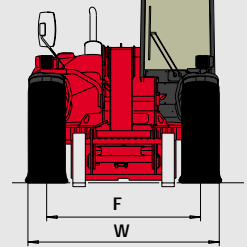
629/633 T
Weight unladen (with forks) : 6370 kg/7030 kg
Overall width 2.30 m/2.30 m
Overall height 2.30 m/2.30 m
Turning radius (outside wheels) 3.70 m/3.70 m
Overall length 4.50 m/4.46 m
Ground clearance 0.44 m/0.44 m
Drawbar pull (Atmo) 6300 daN
 (Turbo) 7500 daN/8600 daN

Reach at maximum height : 0.75 m

Under EN 1459
 annexe B



	MLT 629	MLT 629 T	MLT 633 T
A	1200	1200	1200
B	2560	2560	2560
C	1142	1142	1142
C1	1047	1047	1047
D	4497	4497	4462
D1	4402	4402	4367
D2	3960	3955	3920
E	5697	5697	5662
F	1916	1850	1850
F1	1916	1850	1850
G	455	455	455
G1	440	440	440
G2	440	440	440
I	795	795	760
J	865	865	865
K	1260	1260	1260
L	45	45	45
N	1690	1720	1720
O	125	125	125
P2	47.5°	47.5°	47.5°
P3	53°	53°	53°
R	3500	3475	3475
S	7322	7322	7322
T	3995	3995	3995
U1	2300	2300	2300
U2	2550	2550	2550
V	4630	4630	4630
V1	1205	1205	1205
V2	3700	3700	3700
W	2305	2305	2305
Y	12°	12°	12°
Z	134°	134°	134°



This publication in no way constitutes an offer and the company reserves the right to alter specification without prior notice.
 The MANITOU models presented in this brochure can be supplied complete with optional equipment attachments



MANITOU B.F. S.A.
 B.P249 - 44158 ANCENIS CEDEX - FRANCE
 TEL : 33 2 40 09 10 11
 EXPORT DEPARTMENT FAX : 33 2 40 09 10 97
 www.manitou.com