



This is the machine that sets the standard for design, productivity and comfort in skid-steer loaders! The Bobcat 773 G-Series loader offers a wide range of operator-friendly features and exciting value-added options.

Plenty of muscle, too. The impressive 1,750-lb. rated operating capacity and 118.2 in. lift height plus vertical lift path and 29.6 in. reach make the 773 ideal for truck loading.

The Bobcat 773 G-Series loader is the state-of-the-art work environment that will save you time, effort and money on every job!

SEE MORE. LIFT MORE. DO MORE.

The Bobcat® 773 G-Series Loader delivers unequaled visibility, performance, comfort and value!

Profit-making performance and unsurpassed comfort...the Bobcat 773 G-Series loader has it all!

For example, the G-Series vertical-path lift-arm design means improved jobsite performance — and because of the lift arms' low profile, you get all-around visibility to the sides, front and rear corners of the machine when loading, unloading and turning in tight quarters.

You also get unsurpassed comfort in the roomy, G-Series cab...easy entry and exit...innovative instrumentation and convenient controls... rear-pivot seat bar... fully-adjustable, optional suspension seat...and much, much more.
Read on!



FACTORY INSTALLED
Air Conditioning
NOW/AVAILABLE

(Turbo Only)



Choice of Attachments.

As with any Bobcat loader, you can count on a variety of quick-mounting Bobcat attachments for your 773. The operator can easily replace a bucket with a backhoe, pallet fork, landscape rake, sweeper, tiller, grapple and many more. Hookup is easier with new optional Power Bob-Tach!

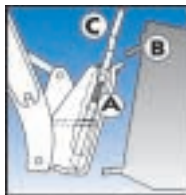
Built-In Safety.

The 773 gives you the latest in safety technology — the Bobcat Interlock Control System (BICS™). BICS requires the operator to be seated in the loader with the seat bar in place and the engine running. After the operator presses the “press to operate loader” button, the hydraulic lift, tilt functions and traction drive system can be operated.



Serviceability.

Bobcat serviceability is unsurpassed. Simply open the swing-out tailgate for full access to the engine's checks and fills, filters and battery. And unlike other brands, the lift arms need not be raised to service the machine. Shop time is spent repairing, not gaining access.



Exclusive Bob-Tach System.

For fast, secure attachment changes. Bob-Tach frame (A) moves into attachment flange (B) handle (C) pushes down easily, pressing wedge (D) through frame and attachment hole for solid connection. **Power Bob-Tach available!**

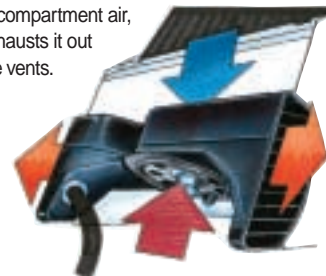
Adjustment Not Needed.

The Bobcat “bow-tie” drive chain design uses pre-stressed, heavy-duty drive chains in two short continuous loops on each side. That means no periodic, time-consuming adjustments, plus long life even in the most rugged conditions.



Clean Cooling.

The exclusive Bobcat dual path cooling system brings clean, cool air from above, through the engine and hydraulic oil coolers, mixes it with engine compartment air, then exhausts it out two side vents.



Bearing Grease Forget It!



1,750/1,850 lb.	118.2 in.	29.6 in.	7.0 mph	46/56 hp	16.7/27 gpm
ROC/ ROC W/Turbo	Lift Height	Reach	Travel Speed	Turbo-Charged Diesel Engine	Auxiliary Flow/ High-Flow



G-Series engineering sets the standard for comfort, visibility and performance!

Greater Comfort.

- The G-Series cab is operator-friendly, designed for maximum comfort and functionality.
- With its larger cab opening, the 773 is easy to enter and exit.
- The innovative seat bar pivots from the rear, providing secondary restraint protection and serving as a comfortable armrest for operators of all sizes.
- High-output halogen headlamps double the amount of illumination to the work area for better operation in low light.
- The 773 G-Series also features a new, easy-to-read, highly functional instrument panel, along with a number of value-added options.
- Air conditioning now available on 773 Turbo! Full climate-controlled cab!

More Options.

- Factory- or field-installed deluxe instrument panel includes keyless start, feature lockouts, monitoring and diagnostic functions.
- High-flow auxiliary hydraulics for operating attachments such as planers and stump grinders.
- Fully-adjustable suspension seat for all-day operator comfort.
- Cab heat and air conditioning.
- Power Bob-Tach.

Added Value.

Couple all the new features of the 773 G-Series with proven power and smooth ride and you have a skid-steer loader that delivers optimum performance on every jobsite. Get in the seat of a new 773 G-Series today for a great view and an even greater value!



SKID-STEER LOADER

Worldwide Support.

With the Bobcat 773 G-Series you get more than just an exceptional skid-steer loader.

You also get the support of a worldwide network of

Bobcat dealers offering industry-leading attachments, accessories and parts

availability. Their factory-trained service technicians

are equipped to handle all your parts and service

requirements, including engine and hydrostatic/

hydraulic components.

There's an excellent

warranty program, too.

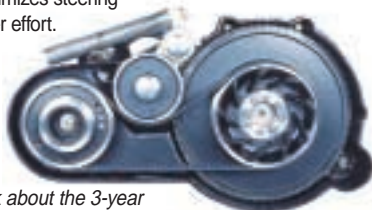
Get all the details from your Bobcat dealer.

se?

Self-lubricating axle bearings never need greasing. The unique hub design offers great seal protection.

Belt Drive Advantage.

The Bobcat belt drive advantage means Bobcat loader engines can be run slower, resulting in a quieter machine that lasts longer and uses less fuel. This system also maximizes pump efficiency and minimizes steering lever effort.



Ask about the 3-year belt warranty!

Training Resources.

Training kits, available through your Bobcat dealer's parts department, let you train current and new operators and service technicians on the latest safety operation and servicing functions on Bobcat skid-steer loaders. A Spanish language version is also available. Check the Bobcat website for more information: www.bobcat.com



The new standard of design, productivity and comfort!

The Bobcat 773 G-Series loader delivers a wide range of innovative operator-friendly features and exciting value-added options.



Left Side Instrument Panel



Right Side Standard Instrument Panel



Optional Deluxe Instrument Panel

State-of-the-art instrument panels provide dozens of operational features, diagnostics and monitoring. Optional deluxe instrument panel includes keyless start security system, feature lockouts, digital time and job clocks, multi-language display, even a Help menu.



More Operator Comfort

The optional, fully-adjustable suspension seat allows comfortable all-day operation. The innovative seat bar pivots from the rear, providing secondary restraint protection and serving as a comfortable armrest for operators of all sizes.



Climate-Controlled Cab

High-visibility front door with 49% more glass includes wiper and washer. The cab enclosure, with top, rear and side windows, will completely seal the cab for efficient use of heater or air conditioning option.

The 773 G-Series Standard

Combine all these outstanding features with the 773 G-Series' ease of operation, versatility, maneuverability, wide choice of attachments, worldwide dealer support, service backup, parts availability and high resale, and it all adds up to

The Bobcat Advantage

Total value that can't be matched.

Bobcat® 773 G-Series Skid-Steer Loader

SPECIFICATIONS

Performance

Rated Operating Capacity¹
 ROC with Optional Counterweight
 Tipping Load
 Hydraulic Pump Capacity
 High Flow Option
 Travel Speed
 Operating Weight

773

1750 lb. (794 kg)
 1850 lb. (839 kg)
 3900 lb. (1769 kg)
 16.7 GPM (63 L/min.)
 27.0 GPM (102 L/min.)
 7.0 MPH (11.3 km/hr.)
 5808 lb. (2635 kg)

773 Turbo

1850 lb. (839 kg)
 1950 lb. (885 kg)
 3900 lb. (1769 kg)
 16.7 GPM (63 L/min.)
 27.0 GPM (102 L/min.)
 7.0 MPH (11.3 km/hr.)
 5808 lb. (2635 kg)

Dimensions

Length (with bucket)
 Width (with bucket)
 Height
 Height to Bucket Pin

130.3 in. (3309 mm)	130.3 in. (3309 mm)
68.0 in. (1727 mm)	68.0 in. (1727 mm)
76.3 in. (1938 mm)	76.3 in. (1938 mm)
118.2 in. (3002 mm)	118.2 in. (3002 mm)

Engine

Make/Model
 Fuel/Cooling
 Cylinders
 SAE NET HP/Displacement
 Fuel Tank Capacity

Kubota/V2203-EB Diesel/Liquid 4 46/134 in. ³ (2.2 L) 23 gal. (87.1 L)	Kubota/V2003T-EB Diesel/Liquid 4 56/122 in. ³ (2.0 L) 23 gal. (87.1 L)
--	---

Operation

Steering and Drive
 Hydraulics

Forward, reverse, travel speed and steering controlled by two hand levers.
 Raise/lower lift arms and dump/rollback bucket controlled by two foot pedals or optional hand controls.
 Hydrostatic, four-wheel drive.

Transmission

Hydrostatic, four-wheel drive.

Standard Features

Adjustable Cushion Seat Automatically Activated Glow Plugs Bobcat Interlock Control System (BICS™) Bob-Tach Dual Path Cooling System	Engine/Hydraulic Shutdown Front Auxiliary Hydraulics Front & Rear Lights Lift Arm Support Gauges/Warning Lights Operator Cab	Parking Brake Seat Bar (available for all Bobcat loaders) Seat Belt 10-16.5 Bobcat Heavy Duty Tires Turbo-Charger (Turbo Only) (Approved Spark Arrestor)
---	---	---

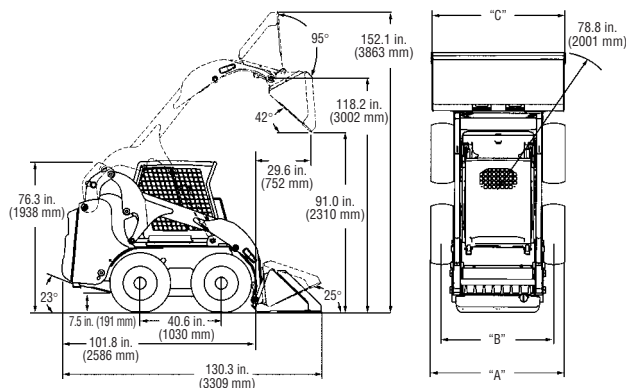
Options/Accessories

Advanced Control System (ACS) Air Conditioning (Turbo only) Attachment Control Kit Backup Alarm Cab Enclosure Cab Heater Catalytic Purifier Counterweight Deluxe Cab Deluxe Instrumentation Flasher/Strobe/Rotating Beacon Lights	High Flow Auxiliary Hydraulics Package Horn Hydraulic Bucket Positioning ² Keyless Start System Power Bob-Tach Radio Kit Rear Auxiliary Hydraulics Segmented Tires Service Safety Training Kit Side Windows	Skid-Steer Loader Operator Training Kit Solid Tires Sound Cab Special Applications Kit ³ Suspension Seat (vinyl or cloth cover) Top & Rear Windows Ultra Grip Flotation Tires Water Kit
---	--	--

Bobcat Attachments

Angle Broom* Auger Backhoe Brushcat Rotary Cutter Buckets Chipper* Combination Bucket Concrete Mixer* Concrete Pump* Cutter Crusher* Digger Dozer Blade* Dumping Hopper Ejector Bucket	Farm Grapple (for use with utility forks or bucket) Front Scarifier Grader* Hydraulic Breaker* Hydraulic Pallet Forks Industrial Grapple Landplane Landscape Rake Pallet Forks Planer* Rear Stabilizer Snow Blade Snowblower* Sod Layer*	Soil Conditioner* Spreader Stump Grinder* Super Scraper Sweeper Three-Point Hitch Tiller Tilt-Tatch Tracks Tree Spade* Trench Compactor Trencher Utility Forks Vibratory Roller Water Kit Whiskers Push Broom
---	--	--

*Attachment Control Kit Required.



¹ Operating capacity rated with standard digging bucket according to SAE standard J818 - OPERATING CAPACITY TO EQUAL NO MORE THAN ONE HALF THE TIP LOAD.

² Bucket positioning helps operator keep the same tilt of the load during lifting.

³ Includes Lexan front door, top and rear windows.

⁴ Special application kit (see #3) must be used.

"A" 10 - 16.5 TIRES - 66.0" (1676 mm) or 60.0" (1524 mm)
 31.5 x 13 - 16.5 TIRES - 66.0" (1676 mm)

"B" 10 - 16.5 TIRES - 54.5" (1385 mm) or 48.5" (1232 mm)
 31.5 x 13 - 16.5 TIRES - 54.5" (1385 mm)

"C" 62 in. BUCKET WIDTH - 62.0" (1575 mm)
 68 in. BUCKET WIDTH - 68.0" (1727 mm)
 74 in. BUCKET WIDTH - 74.0" (1880 mm)

THE BOBCAT 773 G-SERIES SKID-STEER LOADER... GREATER PERFORMANCE, VISIBILITY, COMFORT AND VALUE!

Greater Performance

The vertical lift path 773 G-Series delivers added performance on every jobsite:

- More lift capacity (1750 lb. ROC; 1850 lb. with turbo)
- More lift height and reach for truck loading
- 11% more auxiliary hydraulic flow for better attachment operation
- 6% more weight for increased pushing force
- 64% more fuel capacity for all-day operation
- Factory- or field-installed deluxe instrument panel

Greater Visibility

The 773's low-profile, vertical-path lift arm design and innovative G-Series cab enhance the operator's view to key areas during operation: the sides, front and rear corners of the loader.

Even with the optional front door, the 773 G-Series offers the operator increased visibility. As any operator will tell you, a better view of the work area means greater efficiency.

Greater Comfort

The G-Series cab is designed with the operator in mind, for optimum comfort and functionality. And with its larger opening and dual-tilt cylinder lift arm design, it's easy to enter and exit.

The seat bar pivots from the rear, providing secondary restraint protection as well as a comfortable armrest for operators of all sizes. Plus, the new worklight design doubles the amount of illumination to the work area for better operation in low-light areas.

Greater Options

- Factory- or field-installed, easy-to-read deluxe instrument panel
- High-flow auxiliary hydraulics to operate attachments requiring high hydraulic horsepower, such as planers and stump grinders
- Full suspension seat for all-day operator comfort

Greater Value

Couple these features with proven power, smooth ride and vertical lift path capabilities and you've got a skid-steer loader that delivers optimum performance, no matter what the job. Get in the seat of a 773 G-Series today for a great view and an even greater value!

773

1750 LB.

Rated Operating Capacity

118.2 IN.

Lift Height

46 HP

Liquid-Cooled Diesel Engine

773 Turbo

1850 LB.

Rated Operating Capacity

118.2 IN.

Lift Height

56 HP

Turbo-Charged, Liquid-Cooled Diesel Engine

Optional G-Series Deluxe Instrumentation Package includes:

- Multi-language capability
- System diagnostic capability
- All gauges read in metric or English units
- Feature lockouts
- Keyless start security
- Digital and job clocks
- Help screens
- Attachment information

NOTE — Where applicable, dimensions are in accordance with Society of Automotive Engineers (SAE) standards. Specifications and design are subject to change without notice. Pictures of Bobcat loaders may show other than standard equipment. All dimensions are given for loader equipped with standard tires. All dimensions are shown in inches. Respective metric dimensions are enclosed by parentheses. Bobcat Company complies with the requirements of ISO 9001 as registered with BSI.



B-1718

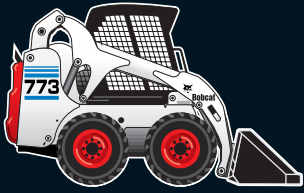
Bobcat Company • P.O. Box 6000 • West Fargo, ND 58078 • www.bobcat.com

Printed in U.S.A.



Kn-30M-801-#640302-F

 **Bobcat**®



A logo for the Bobcat 773 G-Series Skid-Steer Loader. It consists of a white square with three horizontal blue stripes at the top. Below the stripes, the number '773' is written in large, bold, black font. Underneath '773', the text 'G-SERIES' is written in white on a blue background. At the bottom, 'SKID-STEER LOADER' is written in white on a black background.

