



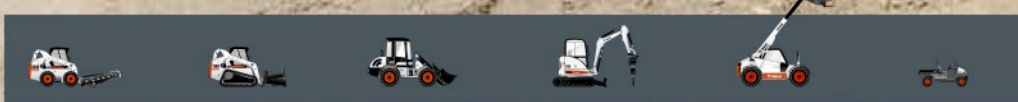
# Bobcat®

## S630

### Compact Loaders



**POWER**  
meets  
**COMFORT**  
BY BOBCAT





## Machine Rating

Rated operating capacity	989 kg
Tipping load	1978 kg
Pump capacity	87.1 L/min
Pump capacity (@ 91% efficiency with high flow option)	115.5 L/min
System relief at quick couplers	23.8–24.5 MPa
Max. travel speed (low range)	11.4 km/h
Max. travel speed (high range - option)	19.8 km/h

## Engine

Make / Model	Kubota / V3307-DI-TE3
Fuel / Cooling	Diesel / Liquid
Power	55.4 kW
Torque, maximum at 1600 RPM (SAE J1 995 Gross)	264 Nm
Number of cylinders	4
Displacement	3331 cm <sup>3</sup>
Fuel tank capacity	103.3 L

## Weights

Operating weight	3496 kg
------------------	---------

## Controls

Vehicle steering	Direction and speed controlled by two hand levers
Loader hydraulics tilt and lift	Separate foot pedals, optional Advanced Control System (ACS), Advanced Hand Control (AHC) or Selectable Joystick Control (SJC)
Front auxiliary (standard)	Electrical switch on right-hand steering lever

## Drive System

Transmission	Infinitely variable tandem hydrostatic piston pumps, driving two fully reversing hydrostatic motors
--------------	---

## Standard Features

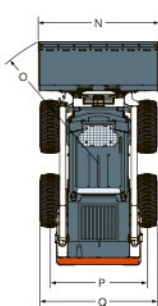
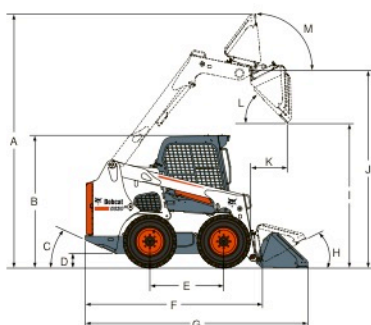
High-back adjustable suspension seat	Engine/hydraulics system shutdown
Automatically activated glow plugs	Hydraulic bucket positioning
Bob-Tach™ frame	Instrumentation
Bobcat Interlock Control System (BICS)	Lift arm support
Deluxe operator cab	Work lights, front and rear
Includes interior cab foam, side, top and rear windows	Parking brake
Electrically activated proportional front auxiliary hydraulics	Seat belt
	Seat bar
	12 x 16.5, 12-ply, Heavy duty tyres
	CE certification
	Turbo-charger with approved spark arrestor

\* Roll Over Protective Structure (ROPS) – meets requirements of SAE-J1040 and ISO 3471; Falling Object Protective Structure (FOPS) - meets requirements of SAE-J1043 and ISO 3449, Level I

## Options

Two speed	12 x 16.5, 12-ply, Heavy duty tyres, offset rims
High flow hydraulics	12 x 16.5, 12-ply, Severe duty tyres
Deluxe instrument panel	12 x 16.5, 12-ply, Severe duty tyres, poly filled
Cab enclosure with heating	12 x 16.5, Solid flex tyres
Air conditioning	Advanced Control System (ACS)
Power Bob-Tach™	Advanced Hand Controls (AHC)
33 x 15.5-16.5, 12-ply, Superflotation tyres, offset rims	Selectable Joystick Controls (SJC)

## Dimensions



(A)	3950 mm	(J)	3073 mm
(B)	2065 mm	(K)	544 mm
(C)	25°	(L)	42.4°
(D)	406 mm	(M)	97°
(E)	1150 mm	(N)	1727 mm
(F)	2754 mm	(N)	1880 mm
(G)	3474 mm	(N)	2032 mm
(H)	30°	(O)	2119 mm
(I)	2367 mm	(P)	1507 mm
		(Q)	1832 mm

## Attachments

Angle broom*†
Auger
Backhoe
Bale forks
Box blade
Brushcat rotary cutter
Buckets
Wood chipper*
Combination bucket
Concrete pump*
Cutter crusher*
Digger
Dozer blade*
Dumping hopper
Farm grapple
Flail cutter
Grader*
Hydraulic breaker**
Industrial grapple
Landplane
Landscape rake
Mixing bucket
Mower
Over-the-tyre tracks
Pallet forks – standard
Pallet forks – hydraulic
Planer*†
Rear stabilizers
Snow blade
Scarifier
Snow blower*
Snow V-blade
Sod layer*
Soil conditioner*
Spreader
Stump grinder*
Super scraper
Sweepert†
Three-point hitch
Tiller
Tilt-Tach™
Tree transplanter*
Trench compactor
Trencher
Utility forks
Utility frame
Vibratory roller
Water kit
Wheel saw*
Whisker broom

\*Attachment control kit required.

\*\*When operating the loader with this attachment, a Special Applications Kit must be used.

†Optional water kit.



**Profibagger Kft**  
 Tormásrét út 6.  
 2051 Biatorbágy  
 Tel.: 0036-23-530-890 Fax: 0036-23-530-893  
 info@profi-bagger.hu  
 www.bobcathungary.hu



**Bobcat**  
[www.bobcat.eu](http://www.bobcat.eu)