

ATLAS Teamwork: ATLAS Teamwork:

AR 35/35 Super



Operation weight 2500 kg / 2875 kg
 Power 24.6 kW (33.5 HP) / 29.4 kW (40 HP)
 Shovel capacity 0.34 m³ - 0.40 m³

AR 40



Operation weight 3300 kg
 Power 29.4 kW (40 HP)
 Shovel capacity 0.50 m³

AR 50



Operation weight 3950 kg
 Power 42 kW (57 HP)
 Shovel capacity 0.70 m³

AR 60



Operation weight 4650 kg
 Power 47.5 kW (65 HP)
 Shovel capacity 0.85 m³

AR 65 Super



Operation weight 4700 kg
 Power 51.3 kW (70 HP)
 Shovel capacity 0.80 - 1.00 m³

AR 75



Operation weight 5600 kg
 Power 55 kW (75 HP)
 Shovel capacity 1.00 m³

AR 75 S



Operation weight 6000 kg
 Power 55 kW (75 HP)
 Shovel capacity 0.80 m³

AR 75 T



Operation weight 6000 kg
 Power 55 kW (75 HP)
 Shovel capacity 1.00 m³

AR 80



Operation weight 5750 kg
 Power 59.3 kW (81 HP)
 Shovel capacity 1.00 m³

AR 85



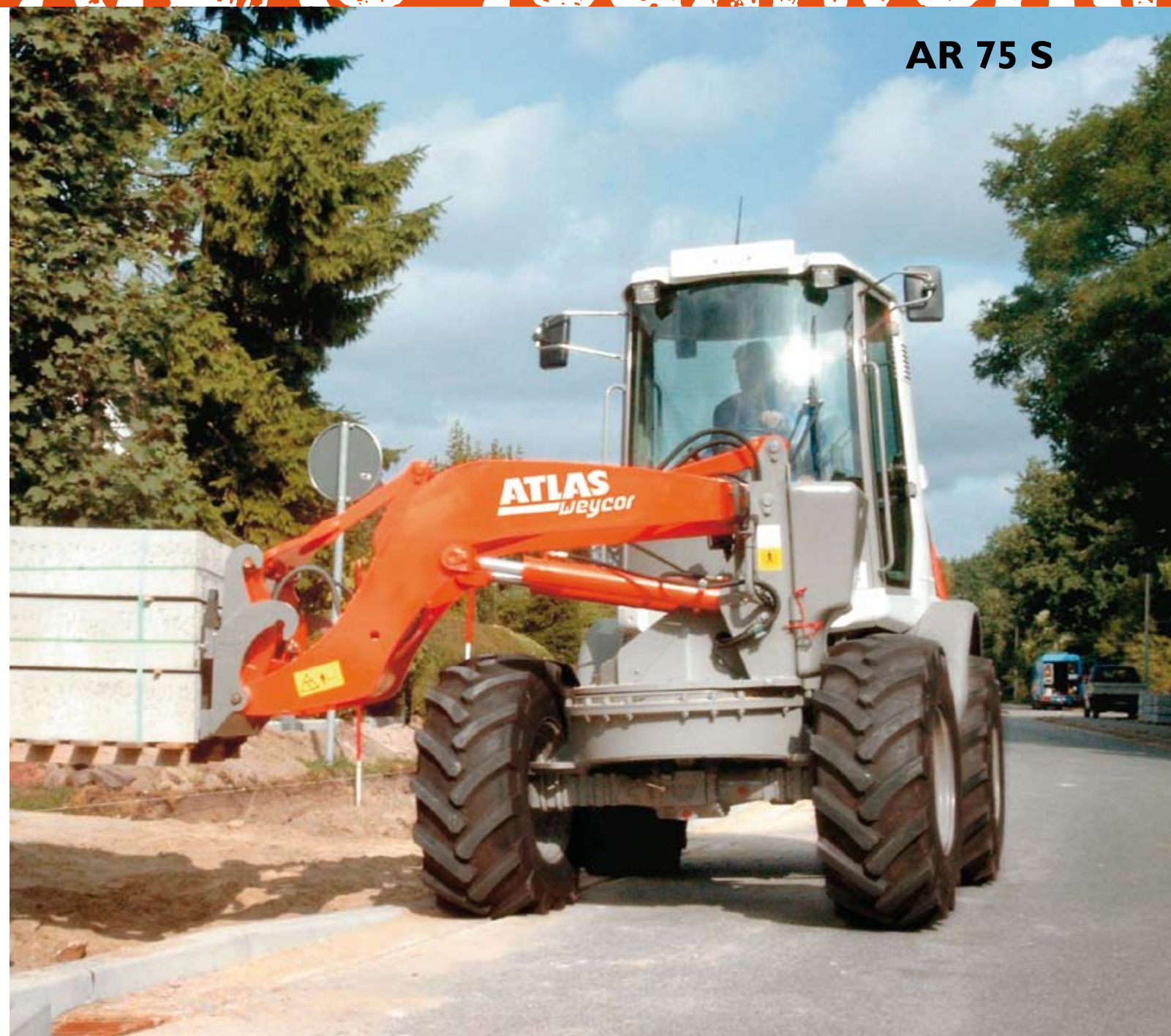
Operation weight 6700 kg
 Power 71.2 kW (97 HP)
 Shovel capacity 1.30 m³

AR 95/95 Super



Operation weight 7900 kg / 8100 kg
 Power 74.9 kW (102 HP) / 92 kW (125 HP)
 Shovel capacity 1.40 - 1.60 m³

AR 75 S



- Landscaping, construction trade, railway track construction, construction works with cables, high manoeuvrability because of swinging shovel frame, operations in narrow surroundings possible
- Operating weight: 6000 kg
- Power: 55 kW

TECHNICAL DATA AR 75 S

Engine

Make: Deutz Diesel engine TD 201 I L04
 Type: oil/air cooled
 Power***: 55 kW (75 hp)
 at 2400 min⁻¹
 Max. torque: 240 Nm at 1600 min⁻¹
 Stroke: 3243 cm³
 Cylinders: 4 in line
 Electrical System: Operating voltage 12V
 Battery 12V/ 100 Ah
 Alternator 14V/80 A
 Starter 12V/2,3 kW

Drive

- Output regulated hydrostatic drive with pressure cut off and closed circuit acting on all 4 wheels
- Speed with standard tires:
 Operating speed range 0–6,5 km/h
 Road speed range 0–20 km/h
 Optional high speed 0–40 km/h
- 1st and 2nd hydraulic gear can be engaged under load, forward/backward travel also
- Forward/backward travel, speed ranges and off-position operational via ATLAS joystick
- Drive operated by accelerator and separate inching pedal for best distribution of the hydraulic power for thrust and lifting forces

Axles

Rigid axle front, pendulum rear axle with planetary reduction gears in wheel hubs, electrically connected 100% - differential lock in front and rear axle. On swinging automatic blocking of pendulum axle.

Brakes

Standard brake: Multi-disc brake running in oil bath acting on all 4 wheels. Supplementary brake function via inching pedal and hydrostatic drive acting on all 4 wheels.

Parking brake: Parking brake as spring-loaded brake acting on all 4 wheels. In case of standstill of engine the spring-loaded brake is automatically re-activated.

Steering

- Fully hydraulic center pivot steering and oscillating rear axle with automatic lock during swing-action by hydraulic rams
- Front and rear wheels follow the same track
- Steering angle 40° to each side, ± 10° angular movement in rear vehicle
- Operating pressure of steering hydraulics 175 bar
- Emergency steering function

Hydraulic system

- Gear pump for loading and steering hydraulics
- Priority valve favoring steering hydraulics
- Lowering brake dependent of load
- 3rd hydraulic section
- Loading hydraulic hydraulically pre-activate via ATLAS joystick including float position
- Operating pressure 230 bar
- Delivery of pump 61.5 l/min

Loading equipment

- Powerful solid and swingable parallel – kinematics, swivelling range up to 180°
- Swing cut-off by danger of tyre damage
- Hydraulic quick change device
- Activation of all functions via ATLAS joystick
- Parallel movement while using pallet forks
- Automatic shovel return to excavation position
- Locking device acc. to German StVZO for road travel
 Lifting 5.6 s
 Lowering 4.3 s
 Tipping 1.2 s

Standard equipment

- Rear driving mirrors, foldable
- Heatable rear screen
- Comfortable access from both sides
- Joystick with integrated proportional steering for 3rd section or swing-action control
- ATLAS diagnostic system
- Control lights for speed range, forward/ backward travel
- Lights acc. to German StVZO for road travel
- Individually adjustable driver's seat with adjustable right arm rest
- Engine oil heating with heat exchange and 4-stage fan
- Front windscreen ventilation, variable output
- Sound absorbing ROPS cab
- Windscreen wipe and wash unit in front and rear
- Sun visor, coat hook, ceiling lamp, stow facility
- Adjustable steering column
- Heat protection glazing with large tinted screens
- Control lights for engine oil pressure, overheating, hydraulic oil temperature, battery power, parking brake and air filter
- Central dashboard with indicators for preheating, engine temperature fuel, working hour meter

Options

- Stability damping system
- High speed version
- Air conditioning
- Hand throttle unit
- Load check valve
- Main battery switch
- Corrosion protection for salt
- Special colors and oils
- Cyclone dust separator

- Trailer coupling
- Heatable and air cushioned seats
- Auxiliary heating, comfort cab, canopy cab
- Anti-theft device
- Extra seat
- Radio
- Warning beacon
- Doors with sliding windows left and right
- Anti-theft device with code stick
- Engine oil preheating 220V

More options upon request

Tires

Standard:
 16/70 R-20 MPT 14 PR – Multi-purpose tires for earth moving machines, with good traction, self-cleaning and firm stability

Special tires upon request

Fuel/oil capacities

Diesel:	80 l
Hydraulic oil:	75 l
Engine oil:	11 l
Front axle:	4,5 l
Rear axle:	4,2 l
Gear oil:	2,5 l

Operating data

Shovel capacity acc. to SAE:	0,8 m ³
Track width:	1520 mm
Turning radius (outer shovel edge):	4226 mm
Tear out force:	4000 daN
Torque:	4312 daN
Tipping load, straight:	3515 kg
Tipping load, articulated:	3100 kg
Lifting capacity at ground level:	3900 daN
Service weight:	6000 kg

Differing data for use of pallet forks (500 mm distance to center of gravity)*
 Static tipping load, straight and articulated: 2413 kg

Lifting capacity:	2710 daN
Payload 80% even surface**:	1930 kg
Payload 60% uneven surface**:	1448 kg

Sound level

Average acoustic power-level L _{WA} ⁽¹⁾ :	100.0 dB (A)
Guaranteed acoustic power-level L _{WA} ⁽²⁾ :	101.0 dB (A)
Sound pressure level L _{pA} ⁽³⁾ :	77.0 dB (A)

Specific vibration-data

Hand- / arm- / body-vibration ⁽⁴⁾ :	< 2.5 / 0.5 m/s ²
--	------------------------------

* Travel with load only permitted close to the ground.

** According to ISO 8313 and EN 474-3

*** According to ISO 14396, EU RL97/68/EC.

(1) According to 2000/14/EG & annexes.

(2) According to 2000/14/EG & annexes.

(3) According to ISO 6396.

(4) According to ISO 8041.

Specific gravity for material handling

material	weight (t/m ³)
concrete	1.9
soil (dry)	1.5
soil (watery)	2.0
rock (fill)	2.4
granite	1.8
limestone	1.6
gravel (dry)	1.9
gravel (watery)	2.1
loam	1.7
plaster	2.2
sand (dry)	1.9
sand (watery)	2.1
sandstone	2.4
shale	2.2
sediment	2.1
crushed stone	1.5
de-icing salt	1.3
clay	1.6
cement	1.7
clinker (stacked)	1.8

Industry

ember	0.7
brown coal briquette	0.8
ferrous product	7.8
iron ore	2.3
cullet	1.9
gas coke	0.4
timber	0.8
mineral coal	1.2
paper	0.9
slag	1.0
slag concrete	2.7

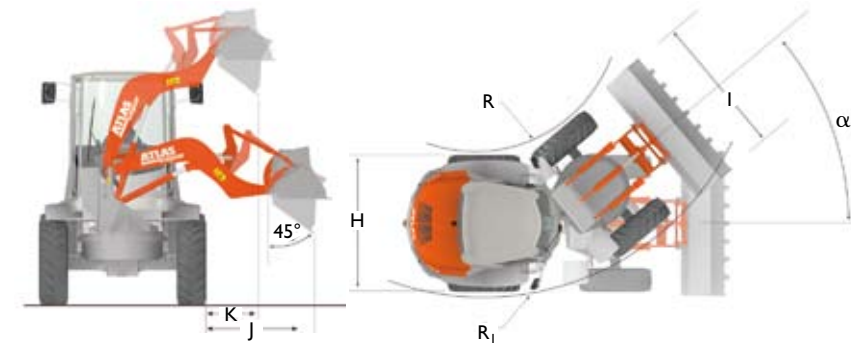
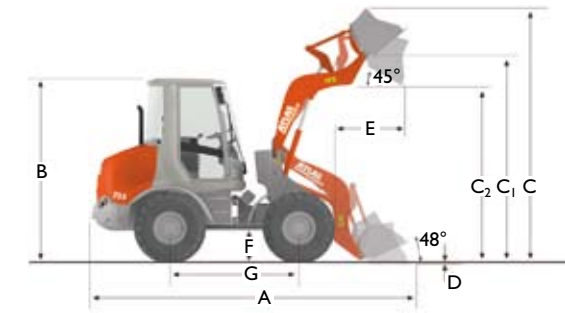
Landscaping, agriculture

agricultural crop	0.7
grain	0.6
hay	0.3
potash	1.1
compost	1.0
flour	0.5
clay (watery)	2.3
phosphate fertilizer	2.2
turf (watery)	1.1
turf (dry)	0.4
mineral fertiliser	1.0



Technical data with standard shovel.

AR 75 S	
A	5400
B	2790
C	4015
C ₁	3210
C ₂	2550
D	80
E	610
F	500
G	2000
H	1950
I	1970
J	510
K	250
R	1772
R ₁	3761
All specifications in mm	
α	40°



Technical data with pallet forks.

AR 75 S	
A	5820
B	2790
C	3465
C ₁	3035
C ₂	1375
D	50
E	510
E ₁	1350
E ₂	900
F	500
G	2000
H	1950
I	1030
L	1010
M	750
R	1772
R ₁	3761
All specifications in mm	
α	40°

