



Bobcat®

T 3093S





Bobcat®

T 3093S

RATED CAPACITY	3000 kg
LIFTING HEIGHT	9300 mm
MAXIMUM REACH	6450 mm
CAPACITY	at max. height 1800 kg
	at max. reach 350 kg
CROWDING FORCE	5000 daN
WEIGHT (unladen)	7076 kg

FUNCTION TIME



	Seconds
Lift speed	8.3
Lower speed	6.5
Telescope in	12.3
Telescope out	15
Crowding	1.3
Dumping	1.1

4X4X4 MOTION



4 EQUAL DRIVE AND STEERING WHEELS
Mobility and motion through 2 automatic steering axles 2 WD - 4WD - CRAB

TYRES



Standard	400/70x20	150B
Option	400/80x24	150B
	405/70x20	SPT9

THE STEERING MODE IS SELECTED FROM THE OPERATOR'S CAB

BRAKES



ENGINE BRAKING Hydrostatic
MAIN BRAKES Immersed disk brakes acting on both axles
PARKING AND EMERGENCY BRAKES Negative mechanical acting on both axles

ENGINE



TYPE	PERKINS 1004.42 and 1004.40T Diesel 4 cylinder / 3990 cc DIRECT INJECTION WATER COOLING		
POWER AT 2200 RPM DIN 6271	HP	kW	
	80	59	
	106	78	
MAX. TORQUE	ATMO	290 Nm at 1400 rpm	
	TURBO	394 Nm at 1400 rpm	

HYDROSTATIC TRANSMISSION



2 DRIVING MODES: aggressive/smooth
2 SPEED RANGES: forward and reverse

Working	FWD and REV	0 to 7 km/h
Travel	FWD and REV	0 to 30 km/h

- Accelerator pedal for automatic gear variation
- Single pedal for inching and braking

HYDRAULIC SYSTEM



GEAR TYPE PUMP	
WORKING PRESSURE	220 bar
FLOW RATE	91 l/min

CAPACITIES



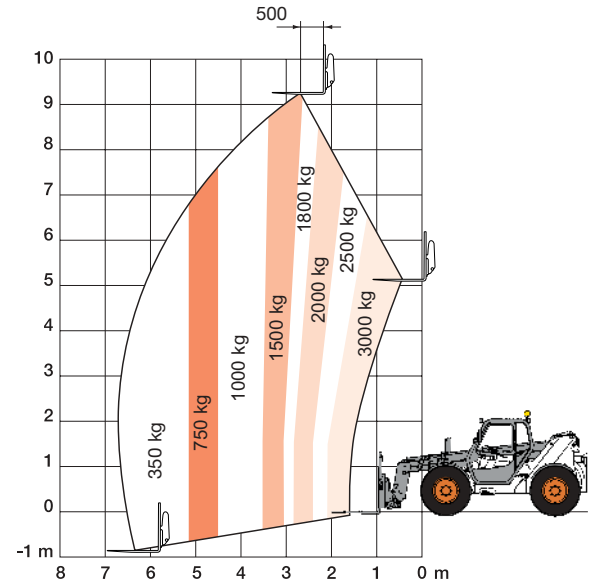
HYDRAULIC SYSTEM	70 l	
FUEL TANK	145 l	
AXLES AND REDUCTION GEARS	17.5 l	
ENGINE OIL	ATMO 8 l	TURBO 8 l

ATTACHMENTS



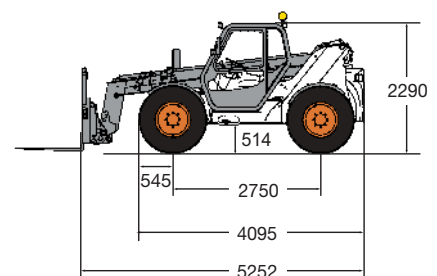
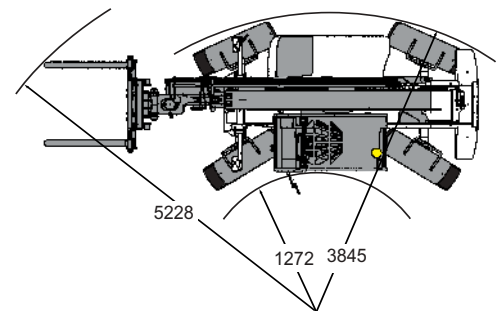
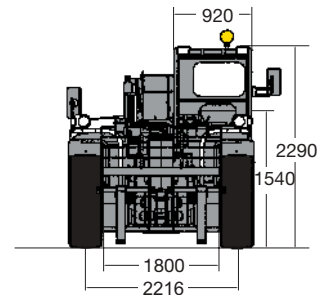
800-2000 l digging and reclaim bucket - Concrete bucket (mechanical or hydraulic opening) - Pallet-forks with or without side shift carriage - Extension jib - Crane jib - Trailer hook - Dozer blade

LIFTING CAPACITIES



DIMENSIONS

All dimensions are in mm.



Specifications and design are subject to change without notice.

Get more info from your dealer.

Treffco A/S
Kildegangen 5
2690 Karlslunde
Tlf.: +45 46 15 11 00



BOBCAT EUROPE

J. Huysmanslaan, 59 - B - 1651 LOT Belgium
© +32 (0)2 371 68 11 - Fax +32 (0)2 371 69 59