

# 262C

## Skid Steer Loader



### Features

The Cat® 262C Skid Steer Loader, with its vertical lift design, delivers extended reach and lift height for quick and easy truck loading. Its stability and lifting performance provides excellent material handling.

The 262C features the following:

**Sealed and Pressurized Cab.** Provides a cleaner and quieter operating environment.

**Seat Mounted Adjustable Joystick Controls and available Air Ride Seat.** These features make the C-Series the industry leader in operator comfort.

**High Performance Power Train.** Provides high engine horsepower and torque. Electronic Torque Management and standard foot throttle allow the machine to be operated at part throttle for lower sound levels and fuel consumption.

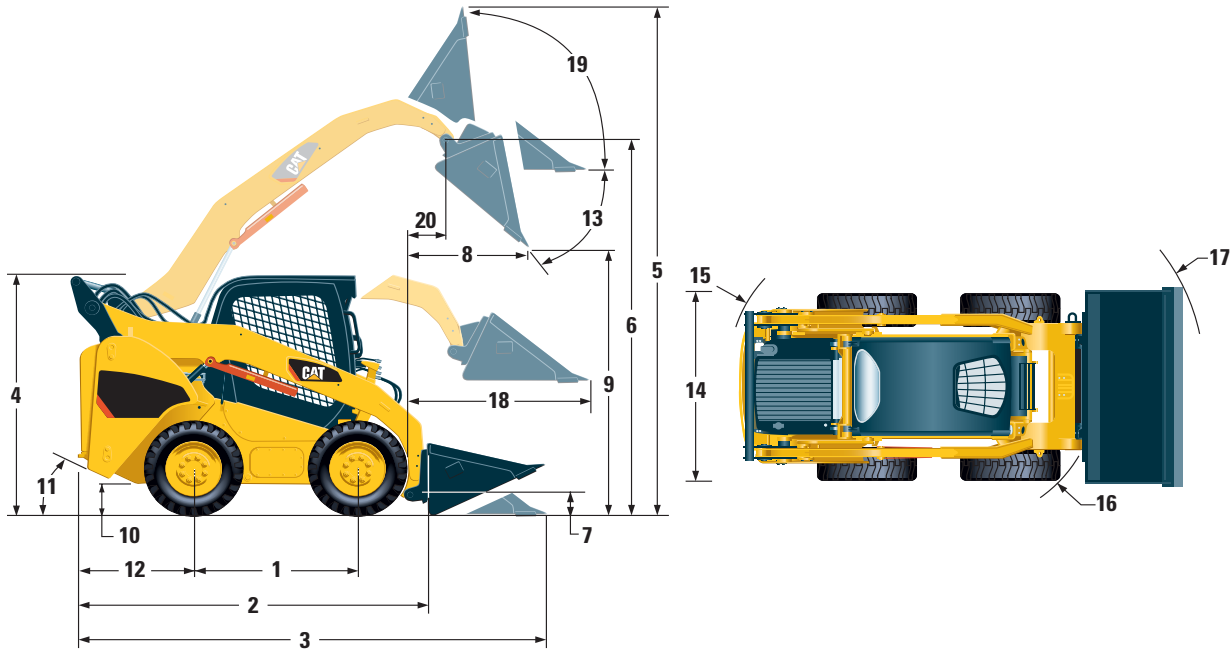
**High Flow XPS Hydraulic System.** Available for applications that demand maximum hydraulic work tool performance.

**Serviceability.** Easy routine maintenance helps reduce machine downtime for greater productivity.

**Work Tools.** Caterpillar's broad range of performance matched work tools make the Cat Skid Steer Loader the most versatile machine on the jobsite.

**CATERPILLAR®**

# 262C Specifications



## Dimensions

	mm
1 Wheelbase	1240
2 Length without Bucket	2951
3 Length with Bucket on Ground	3692
4 Height to Top of Cab	2083
5 Max. Overall Height	4075
6 Bucket Pin Height at Max. Lift	3233
7 Bucket Pin Height at Carry Position	200
8 Reach at Max. Lift and Dump	781
9 Clearance at Max. Lift and Dump	2450
10 Ground Clearance	225
11 Departure Angle	26°
12 Bumper Overhang Behind Rear Axle	1089
13 Maximum Dump Angle	50°
14 Vehicle Width over Tires	1676
15 Turning Radius from Center – Machine Rear	1442
16 Turning Radius from Center – Coupler	1673
17 Turning Radius from Center – Bucket	2485
18 Max. Reach with Arms Parallel to Ground	1283
19 Rack Back Angle at Max. Height	85°
20 Bucket Pin Reach at Max. Lift	373

## Engine

Horsepower (hp) are metric

Engine Model	Cat® C3.4 T
Gross Power SAE J1995	62 kW/84 hp
Net Power ISO 9249 at 2600 rpm	61 kW/83 hp
Displacement	3.3 L
Stroke	120 mm
Bore	94 mm

## Weight

Operating Weight	3614 kg
------------------	---------

## Power Train

Max. Travel Speed (Forward or Reverse):	
One Speed	13 km/h
Two Speed Option	19 km/h

## Hydraulic System

Hydraulic Flow – Standard	
Loader Hydraulic Pressure	230 bar
Loader Hydraulic Flow	84 L/min
Hydraulic Power	32 kW/43 hp
Hydraulic Flow – High Flow XPS	
Max. Loader Hydraulic Pressure	280 bar
Max. Loader Hydraulic Flow	125 L/min

## Operating Specifications

Rated Operating Capacity	1225 kg
with Optional Counterweight	1349 kg
Tipping Load	2491 kg
Breakout Force	33 kN

## Cab

ROPS	ISO 3471:1994
FOPS	ISO 3449:1992 Level I and II

## Service Refill Capacities

	Liter
Chain Box, each side	10
Cooling System	14
Engine Crankcase	10
Fuel Tank	98
Hydraulic System	57
Hydraulic Tank	42

# 262C Skid Steer Loader

## Work Tools

---

- Augers
- Angle Blades
- Brooms
- Cold Planers
- Forks & Carriages
- Grapple Buckets & Forks
- Landscape Rakes
- Landscape Tillers
- Material Handling Arms
- Stump Grinders
- Mulchers
- Trenchers
- Snow Blowers
- Vibratory Compactors
- Wheel Saws
- Dozer Blades

## Standard Equipment

---

### Electrical

- Electrical System, 12 V
- Alternator, 90 A
- Ignition Key Start/Stop Switch
- Lights: *Gauge Backlighting, Two Rear Tail Lights, Two Rear Working Lights, Two Adjustable Front Halogen Lights, Dome Light*
- Backup Alarm
- Heavy Duty Battery, 850 CCA

### Operator Environment

- Gauges: *Fuel Level, Hour Meter*
- Operator Warning System Indicators: *Air Filter Restriction, Alternator Output, Armrest Raised/Operator Out of Seat, Engine Coolant Temperature, Engine Oil Pressure, Glow Plug Activation, Hydraulic Filter Restriction, Hydraulic Oil Temperature, Park Brake Engages*
- Vinyl Seat
- Fold in Ergonomic Contoured Armrest
- Control Interlock System, when operator leaves seat or armrest raised: *Hydraulic System Disables, Hydrostatic Transmission Disables, Parking Brake Engages*
- ROPS Cab, Open, Tilt Up
- FOPS, Level I
- Top and Rear Windows
- Headliner, Deluxe
- Floor Mat
- Interior Rear View Mirror
- 12 volt Electric Socket
- Horn

## Mandatory Equipment

---

- Hydraulics, Standard or High Flow XPS
- Quick Coupler, Mechanical or Hydraulic
- Seat Belt, 50 mm or 75 mm
- EU Preparation Package

### Comfort Package (select one of the following):

- Open ROPS (C1): *Cup Holder, Radio Ready, Suspension Seat, (no Heater or Door)*
- Enclosed ROPS with Heater (C2): *Cup Holder, Radio Ready, Seat (choice of Suspension or Air Ride), Heater and Defroster, Side Windows, Door (either Glass or Polycarbonate)*
- Enclosed ROPS with A/C (C3): *C2 and Air Conditioner*

### Performance Package (select one of the following):

- Performance Package 1: *One Speed*
- Performance Package 2: *One Speed, Self Level*
- Performance Package 3: *Two Speed, Self Level*
- Performance Package 4: *Two Speed, Self Level, Ride Control, Advanced Machine Information and Control System (AMICS)*

### Power Train

- Cat® C3.4 T Stage IIIA Compliant Diesel Engine
- Air Cleaner, Dual Element, Radial Seal
- S•O•S<sup>SM</sup> Sampling Valves, Engine Oil and Hydraulic Oil
- Filters, Spin-on, Hydraulic
- Filters, Bayonet-type, Fuel and Water Separator
- Tilt Up Radiator/Hydraulic Oil Cooler
- Spring Applied, Hydraulically Released, Wet Multi Disc Parking Brakes
- Hydrostatic Transmission
- Four Wheel Chain Drive

### Other

- Engine Enclosure, Lockable
- Extended Life Antifreeze, -37°C
- Machine Tie Down Points (4)
- Support, Lift Arm
- Hydraulic Oil Level Sight Gauge
- Radiator Coolant Level Sight Gauge
- Radiator, Expansion Bottle
- Caterpillar XT™ ToughGuard™ Hose
- Auxiliary, Hydraulics, Continuous Flow
- Heavy Duty, Flat Faced Quick Disconnects
- Split D-Ring to Route Work Tool Hoses Along Side of Left Lift Arm
- Electrical Outlet, Beacon
- Belly Pan Cleanout

## Optional Attachments

---

- Counterweight, increases rated operating capacity 90 kg
- Beacon, Rotating
- Engine Block Heater – 120 V or 240 V
- Oil, Hydraulic, Cold Operation
- Paint, Custom

# 262C Skid Steer Loader

---

For more complete information on Cat products, dealer services, and industry solutions, visit us on the web at [www.cat.com](http://www.cat.com)

HEHX3587-1 (07/2008) hr

© 2007 Caterpillar -- All Rights Reserved

Materials and specifications are subject to change without notice. Featured machines in photos may include additional equipment. See your Caterpillar dealer for available options.

CAT, CATERPILLAR, their respective logos, "Caterpillar Yellow" and the POWER EDGE™ trade dress, as well as corporate and product identity used herein, are trademarks of Caterpillar and may not be used without permission.

**CATERPILLAR**®  
TODAY'S WORK. TOMORROW'S WORLD.™