



# Skid Steer Loader GEHL



Your responsible dealer:

GEHL Europe GmbH

PO BOX 1254

48483 Neuenkirchen

Germany

Tel. [0049] 5973 63 302

Fax [0049] 5973 63 303

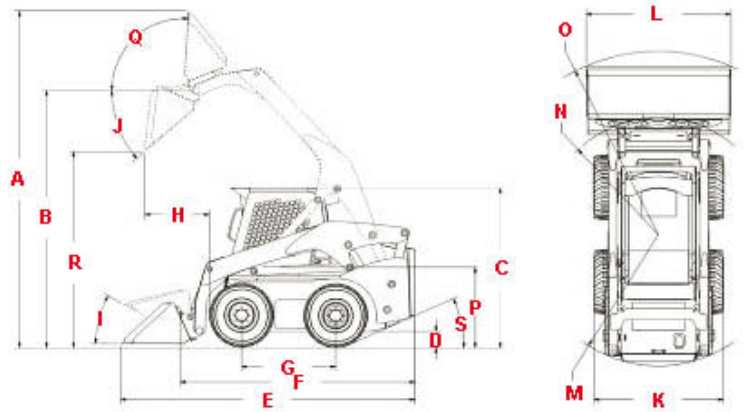
e-mail: [info@gehl.de](mailto:info@gehl.de)

[www.gehl.de](http://www.gehl.de)

# V 270

# GEHL V 270

A.	Overall operating height	4.313 mm
B.	Height to hinge pin	3.310 mm
C.	Overall height	2.045 mm
D.	Ground Clearance	203 mm
E.	Overall length (with bucket)	3.790 mm
F.	Overall length (less bucket)	2.921 mm
G.	Wheelbase	1.265 mm
H.	Dump reach	864 mm
I.	Rollback at ground	29°
J.	Dump angle	41°
K.	Overall width (tires standard)	1.766 mm
L.	Bucket width - standard	1.830 mm
M.	Clearance circle - rear	1.664 mm
N.	Clearance circle - front (less bucket)	1.895 mm
O.	Clearance circle - front (with bucket)	2.362 mm
P.	Seat to ground height	1.021 mm
Q.	Rollback at full height	94°
R.	Dump height	2.515 mm
S.	Departure angle	27°



## MACHINE

Operating weight	3.629 kg
Tipping capacity	2.449 kg
Operating capacity	1.255 kg
Breakout force	2.374 kg

## HYDRAULICS

Loader circuit pump	82,3/139,7 l/min*
Loader circuit pressure	228 bar
Hydraulic reservoir	39,7 L
Speed	0 - 13 km/h
2-Speed -optional-	0 - 19 km/h

## STD.-BUCKETS (Width/volume)

Standard bucket	1.830 mm/0,45 m <sup>3</sup>
Universal bucket	1.830 mm/0,62 m <sup>3</sup>
Lightmaterial bucket	1.830 mm/0,65 m <sup>3</sup>

## BACKHOE

Loading height	2.450 mm
Reach from pivot	3.900 mm
Digging Depth	3.050 mm

## ENGINE

Manufacturer	YANMAR
Diesel	4 TNV98T-ZNMS
Power output max.	84 PS (62,6 kW)
@	2.500 U/min
Cylinder/displacement	4 / 2.915 cm <sup>3</sup>
Fuel capacity	79,5 L

## VERTICAL LIFT

The new GEHL Skid Loader V 270 makes it possible to easily load material from the side on a truck with high side plates and to position the load at the same time central on the platform.



The heavy designed lift arm system provides extra strength, so that heavy loads can be absorbed easily by the lift frame.



This new machine offers you increased lift height, more operating capacity, an extra long wheelbase and a very high dump angle, thus quality characteristics to tackle any job in material handling.

