

MLT 845 H Turbo LSU

Lift capacity4500 kg
 at 500 mm from forks heels
 Tipping load
 at maximum reach1610 kg
 Tear out force with digging bucket
 to ISO 8313.....6650 daN

Lift height7.55 m
Times : unladen/loaded (in s)
 Lifting.....9.6/10.4
 Lowering6.1/5.6
 Boom extension.....9.8/10.1
 Boom retraction.....7.8/7.9
 Time unladen (in s)
 Crowd.....3.7
 Dump3.2

Tyres
 445/70 R 24 MPT IT 510

Forks (mm)
 Length.....1200
 Width x thickness125 x 50
 Maximum distance between forks.....1040
 Carriage rotation142°

Multidisc brakes hydraulically assisted on both axles
Negative parking brake (electro-hydraulic)

Perkins engine
 Turbo 120 : 1104 C - 44 T.....4 cylindres 4400 cm³
 Power (ISO TR 14396)101 HP/74.5 kw
 Maximum torque412 Nm at 1400 rpm
 Direct injection
 Water cooling

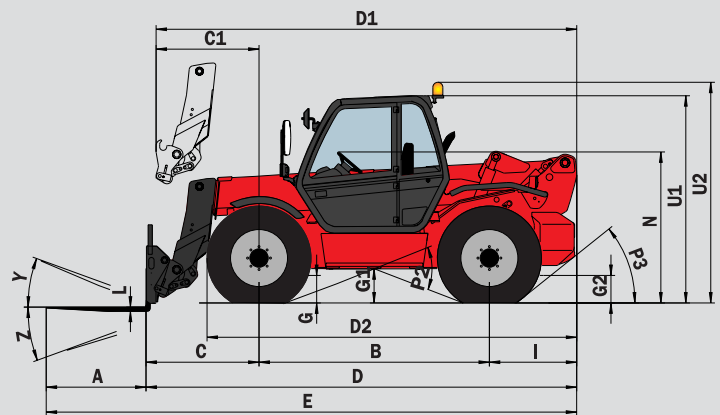
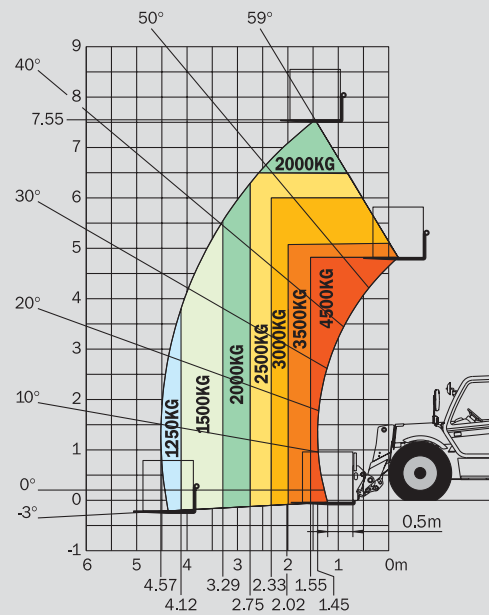
Transmissionhydrostatic
 Electro - hydraulic reversing shift
 4 speeds forward and 2 reverse
 Maximum travel speed25 km/h*

LSU :.....150 l./mn - 270 bars
 Load Sensing pump with electronic control
 Electro proportional command monolever
 Flow divider with load sensing device driving and braking

Capacities
 Cooling system.....21 l.
 Engine oil11 l.
 Hydraulic oil126 l.
 Transmission oil2 l.
 Fuel tank135 l.

Weight unladen (with forks)8870 kg
Overall width2.39 m
Overall height2.59 m
Turning radius (outside wheels)4.15 m
Overall length5.23 m
Ground clearance0.44 m
Drawbar pull.....8200 daN

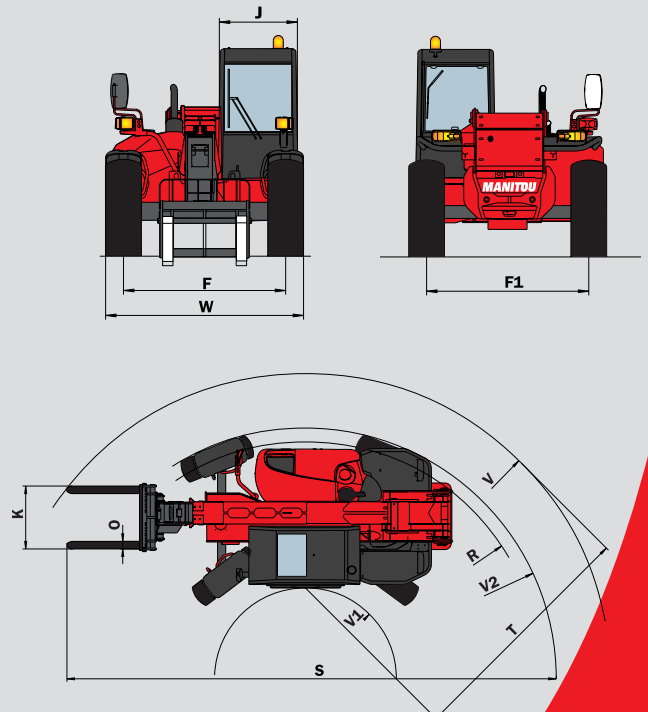
Under
 EN 1459
 annexe B



MLT 845 HT LSU

A	1200
B	2770
C	1394
C1	1487
D	5214
D1	5307
D2	4395
E	6414
F	1950
F1	1950
G	440
G1	435
G2	440
I	1050
J	950
K	1040
L	50
N	1850/1900
O	125
P2	43.5°
P3	40°
R	3930
S	8131
T	3620
U1	2565
U2	2745
V	5090
V1	1470
V2	4153
W	2395
Y	12°
Z	130°

mm



This publication in no way constitutes an offer and the company reserves the right to alter specification without prior notice.
 The MANITOU models presented in this brochure can be supplied complete with optional equipment attachments.
 PATENTS FR 93 14367 - EP 0 656 315 - US PENDING

