

ENGINE

Power output (acc. to ISO 1585)	98 kW (133 PS)
Net brake power	93 kW (127PS)
Manufacturer	Deutz
Typ	BF4M 2012 C
Piston displacement	3192 cm ³
Max. rpm	2300 min ⁻¹
Charging	Turbolader/Ladeluftkühlung

HYDRAULIC SYSTEM

Computer controlled AWE4 system with one load limit controlled high performance piston pump and fuel saving oil supply on demand in order to ensure sensitive, proportional and load independent control of all movements. • primary and secondary safeguarding of the hydraulic system against overload • anti cavitation valves for all working functions, throttle control in the lifting and folding circuit • Load – holding valves and subtile acting lowering valves in the lifting circuit

Hydraulic system	1x axial piston pump
Main pump	HPR 135
Max. gear pump output	300 l/min
Max. operating pressure	340 bar

NOISE LEVEL

Noise level* well below EU limits	
Outside cab (LwA)	103 db (A)
Inside cab (LpA)	75 dB (A)
Noise level* well below EU limits	

ELECTRICAL SYSTEM

Operating voltage	24 Volt
Cold-start high performance batteries	2 x 100 Ah
Complete electrical system acc. SIVZO	

BRAKES

Twin-circuit system	multi disc type
Parking brake	spring loaded type

TANK VOLUMES

Fuel tank	230 l
Hydraulic tank	300 l
Engine oil tank	10 l

CABIN

Shock absorbing resilient mountings • heat insulated panoramic windows for best all around visibility • no glare interior • skylight with window • ergonomic control levers • adjustable steering column • forward and reverse seat adjustment, independent of the control panel • Up and over windscreen lockable under roof panel • air condition

Model	ATLAS comfort cab model 935
Total length	1760 mm
Width	935 mm



SLEWING MECHANISM

Slew motor	axial piston with priority valve
Slew gear box	planetary gearing
Slew brake*	lockable multi disc
Drive internally toothed	
Slewing speed	9min ⁻¹
Slewing torque	59 kNm
*Straight forward slewing operations whilst on gradients due to foot pedal locking brake, if slew pressure exceeds 120 bar.	

DRIVE

40 to special excavator axles with planetary gears in all four wheel hubs • all wheel drive • variable speed motor • double acting travel brake valve • directional control lever (forw./rev.) on the steering column • steering axle with automatic blocking of the pendulum axle • accelerator pedal control

TRAVELLING SPEED

Inching	max. 1.0 km/h
Off-road (infinitely)	max. 5.0 km/h
On.road (infinitely)	max. 20 km/h

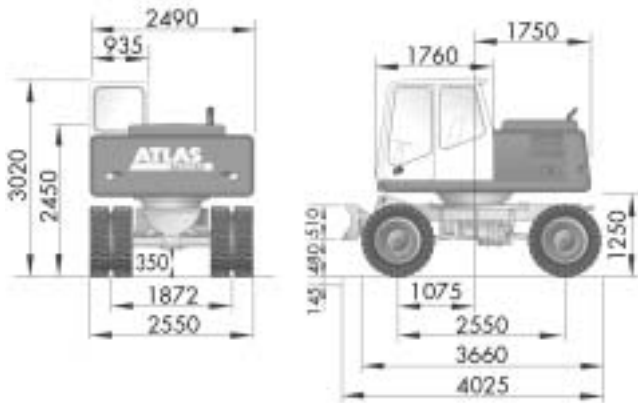
TYRES

8-fold	10.00 - 20
4-fold (optionally)	600/40 - 22.5
Turning radius	7.5 m

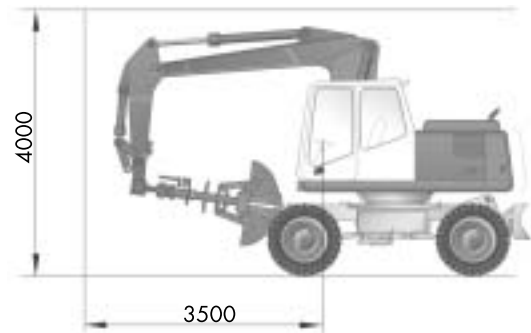
OPERATION WEIGHT

Operation weight	17.5 - 21.0 t
------------------------	---------------

PRINCIPAL DIMENSIONS



TRAVELLING POSITION WITH GRAB



BOOM SYSTEMS



EQUIPMENT

Basic unit		Weight/kg
A 67.2	ATLAS-fully hydraulic mobile excavator 1604 MK complete with dozer blade slewing radius 1750 mm	14350

Additional equipment		Weight/kg
B 66.41	Isolation stop valve and overload warning device for the lifting ram	10
B 67.20	Bigger, heavier counterweight, slewing radius 2000 mm	400
B 66.39	Hydraulic mounting set for boom positioning ram	15
B 65.5	Wide wheel base: width 2750 mm	50
B 65.6	Wide dozer blade: width 2750 mm	70

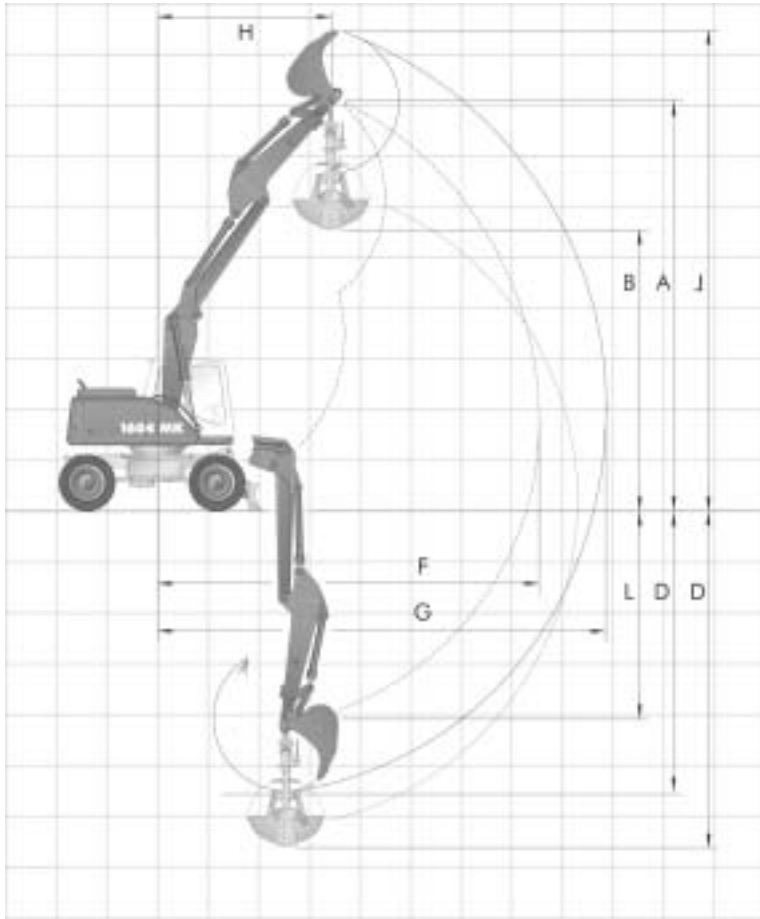
Base and secondary booms		Weight/kg
C 66.41	Base boom with two lift rams and one center working ram	1350
C 66.46	Secondary boom with one jib ram, only for base boom C 66.41 Effective length 3300 mm	930
C 66.3 M	Standard-monobloc with jib ram, effective length 4950 mm	1490

Jibs		Weight/kg
D 66.2	Standard jib, effective length 2200 mm	600
D 66.3	Standard jib, effective length 2700 mm	630

Bucket ram		Weight/kg
F 66.1	Crowd ram with linkage	180

- Standard equipment:**
- Hydraulic mounting set for grab operation and grab rotation
 - intermediate rings between the tyre pairs
 - travelling with foot pedals
 - infinitely adjustable steering column (height and tilt)
 - bracket to deposit the grab while travelling
 - infinitely adjustable and parallelly guided dozer blade
 - fuel tank indicator
 - battery main switch in the negative wire
 - emergency boom lowering accumulator
 - windscreen washer
 - skylight with window
 - storage area in cabin
 - comfort seat with arm rests and lumbar support
 - tool-box in the undercarriage
 - sealed base boom
 - air condition cab
 - central lubrication point
 - sliding window in the cabin door
 - cab prepared for radio installation

ATLAS 1604 MK hydraulically adjustable booms



Jib D 66.2 - Effective length 2200 mm

Equipment: A 67.2, C 66.41, C 66.46, F 647 or E 346

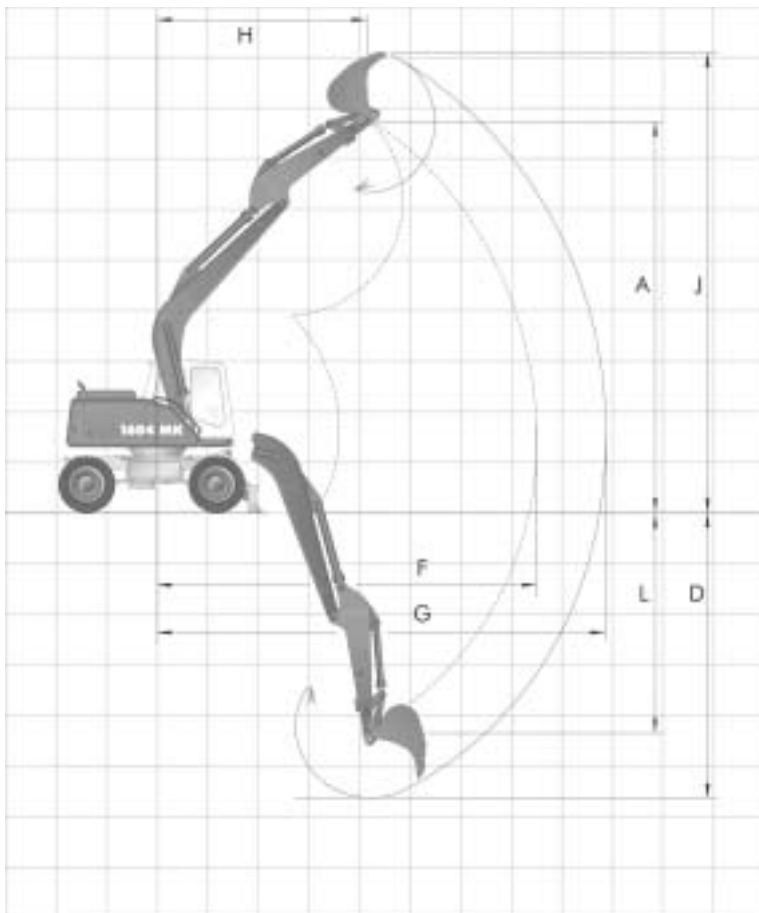
		Bucket	Grab
A	Jib height	mm 8100	8100
B	Dumping height	mm -	5600
D	Max. digging depth	mm 5500	6600
F	Max. length of jib	mm 7500	7500
G	Max. outreach	mm 8900	8250
H	Max. outreach length	mm 3400	3400
J	Max. outreach height	mm 9500	-
L	Bucket pivot	mm 4100	4100
	Bucket/grab	l 920	450
	Tear out force	kN 92	-
	Break out force	kN 122	-
	Grab closing force	kN -	73
	Operating weight	t 117,9	18,2

Jib D 66.3 - Effective length 2700 mm

Equipment: A 67.2, C 66.41, C 66.46, F 647 or E 346

		Bucket	Grab
A	Jib height	mm 8450	8450
B	Dumping height	mm -	5950
D	Max. digging depth	mm 6000	7100
F	Max. length of jib	mm 8000	8000
G	Max. outreach	mm 9400	8750
H	Max. outreach length	mm 3750	3750
J	Max. outreach height	mm 9850	-
L	Bucket pivot	mm 4600	4600
	Bucket/grab	l 920	350
	Tear out force	kN 81	-
	Break out force	kN 122	-
	Grab closing force	kN -	73
	Operating weight	t 18,0	18,3

ATLAS 1604 MK Monobloc



Jib D 66.2 - Effective length 2200 mm

Equipment: A 67.2, C 66.3 M, F 647

		Bucket
A	Jib height	mm 7750
B	Dumping height	mm -
D	Max. digging depth	mm 5700
F	Max. length of jib	mm 7500
G	Max. outreach	mm 8900
H	Max. outreach length	mm 4150
J	Max. outreach height	mm 9100
L	Bucket pivot	mm 4300
	Bucket/grab	l 920
	Tear out force	kN 92
	Break out force	kN 122
	Grab closing force	kN -
	Operating weight	t 17,1

Jib D 66.3 - Effective length 2700 mm

Equipment: A 67.2, C 66.3 M, F 647

		Bucket
A	Jib height	mm 8050
B	Dumping height	mm -
D	Max. digging depth	mm 6300
F	Max. length of jib	mm 8000
G	Max. outreach	mm 9500
H	Max. outreach length	mm 4500
J	Max. outreach height	mm 9500
L	Bucket pivot	mm 4800
	Bucket/grab	l 920
	Tear out force	kN 81
	Break out force	kN 122
	Grab closing force	kN -
	Operating weight	t 17,2

Equipment A 67.2, C 66.41, C 66.46

Jib D 66.2 - Effective length 2200 mm
Slewing radius 1750 mm

Hook height m		3.0 m		4.0 m		4.5 m		5.0 m		6.0 m		7.0 m		7.5 m	
		l	q	l	q	l	q	l	q	l	q	l	q	l	q
6	a b	-	-	-	-	4.8 4.8	4.8 4.5	4.7 4.7	4.3 3.8	4.6 4.5	3.1 2.8	-	-	-	-
4.5	a b	-	-	5.8 5.8	5.8 5.2	5.4 5.4	4.9 4.4	5.1 5.1	4.3 3.8	4.6 4.5	3.3 2.9	-	-	-	-
3	a b	9.4 9.4	8.5 7.5	7.4 7.4	5.6 5.0	6.5 6.5	4.8 4.3	5.9 5.8	4.2 3.7	5.0 4.5	3.2 2.9	4.5 3.5	2.4 2.1	-	-
1.5	a b	10.8 10.8	8.4 7.3	8.7 7.8	5.6 4.9	7.5 6.6	4.8 4.2	6.6 5.7	4.1 3.7	5.5 4.5	3.1 2.8	4.7 3.7	2.4 2.1	4.1 3.0	2.4 1.8
0	a b	12.6 12.6	8.3 7.0	8.9 7.9	5.5 4.7	7.8 6.6	4.6 4.0	6.9 5.7	4.0 3.5	5.6 4.3	3.0 2.6	4.7 3.3	2.3 2.0	-	-
-1.5	a b	12.9 12.9	8.0 6.7	9.1 8.0	5.2 4.5	7.9 6.6	4.4 3.8	7.0 5.6	3.8 3.2	5.6 4.2	2.8 2.4	-	-	-	-
-3	a b	13.1 13.1	8.0 6.7	8.8 7.8	5.0 4.3	7.3 6.4	4.2 3.6	6.0 5.4	3.6 3.1	-	-	-	-	-	-

Jib D 66.3 - Effective length 2700 mm
Slewing radius 1750 mm

Hook height m		3.0 m		4.0 m		4.5 m		5.0 m		6.0 m		7.5 m		8.0 m	
		l	q	l	q	l	q	l	q	l	q	l	q	l	q
7.5	a b	-	-	-	-	4.4 4.4	4.4 4.4	4.5 4.5	4.3 3.8	-	-	-	-	-	-
6	a b	-	-	-	-	-	-	4.2 4.2	4.2 3.9	4.1 4.1	3.3 2.9	-	-	-	-
3	a b	9.6 9.6	8.6 7.5	6.8 6.8	5.7 5.0	6.1 6.1	4.8 4.3	5.5 5.5	4.2 3.7	4.8 4.5	3.3 2.9	4.1 3.2	2.2 1.9	-	-
1.5	a b	10.7 10.7	8.4 7.2	8.4 7.8	5.5 4.9	7.2 6.6	4.7 4.2	6.4 5.7	4.1 3.7	5.3 4.4	3.3 2.9	4.3 3.1	2.1 1.9	2.8 2.8	1.9 1.6
0	a b	12.2 12.2	8.4 7.4	8.9 7.8	5.5 4.8	7.7 6.6	4.7 4.1	6.8 5.7	4.0 3.5	5.6 4.4	3.1 2.7	4.3 3.0	2.1 1.8	-	-
-1.5	a b	12.7 12.7	8.0 6.8	9.0 8.0	5.2 4.5	7.8 6.7	4.4 3.8	6.9 5.7	3.8 3.3	5.7 4.2	2.9 2.5	-	-	-	-
-3	a b	13.2 13.2	7.9 6.7	9.3 7.8	5.1 4.4	8.0 6.4	4.2 3.7	6.9 5.4	3.6 3.1	4.6 4.1	2.8 2.4	-	-	-	-

Equipment A 67.2, C 66.3 M

Jib D 66.2 - Effective length 2200 mm
Slewing radius 1750 mm

Hook height m		3.0 m		4.0 m		4.5 m		5.0 m		6.0 m		7.0 m		7.5 m	
		l	q	l	q	l	q	l	q	l	q	l	q	l	q
6	a b	-	-	-	-	-	-	4.1 4.1	4.1 3.8	4.3 4.3	3.2 2.8	-	-	-	-
4.5	a b	-	-	5.0 5.0	5.0 4.8	4.8 4.3	4.6 4.6	4.2 3.7	4.3 4.3	3.2 2.8	-	-	-	-	-
3	a b	-	-	7.0 7.0	5.4 4.4	6.2 6.2	4.6 4.0	5.6 5.6	4.0 4.4	4.9 4.4	3.1 2.7	4.5 3.5	2.5 2.2	-	-
1.5	a b	-	-	8.8 7.8	5.1 4.4	7.5 6.5	4.4 3.8	6.6 5.6	3.8 3.3	5.5 4.3	3.0 2.6	4.8 3.5	2.4 2.1	3.8 3.1	2.2 1.9
0	a b	-	-	9.3 7.6	5.0 4.3	8.1 6.4	4.2 3.6	7.1 5.4	3.7 3.2	5.8 4.2	2.9 2.5	4.9 3.4	2.4 2.1	-	-
-1.5	a b	11.7 11.7	7.8 6.5	8.9 7.7	5.0 4.3	7.9 6.4	4.2 3.6	7.1 5.4	3.7 3.2	5.7 4.2	2.9 2.5	-	-	-	-
-3	a b	9.9 9.9	7.9 6.7	7.7 7.7	5.1 4.4	6.8 6.5	4.3 3.7	6.1 5.5	3.8 3.3	-	-	-	-	-	-

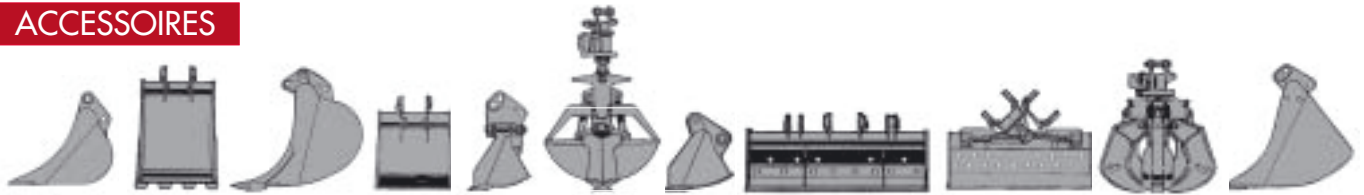
Jib D 66.3 - Effective length 2700 mm
Slewing radius 1750 mm

Hakenhöhe m		3,0 m		4,0 m		4,5 m		5,0 m		6,0 m		7,5 m		8,0 m	
		l	q	l	q	l	q	l	q	l	q	l	q	l	q
6	a b	-	-	-	-	-	-	-	-	3.7 3.7	3.3 2.9	-	-	-	-
4.5	a b	-	-	-	-	-	-	4.1 4.1	4.1 3.7	3.9 3.9	3.2 2.9	2.2 2.2	2.2 2.0	-	-
3	a b	8.9 8.9	8.5 7.3	6.3 6.3	5.6 4.8	5.6 5.6	4.7 4.1	5.1 5.1	4.0 3.5	4.5 4.4	3.1 2.7	4.1 3.2	2.3 2.0	-	-
1.5	a b	-	-	8.3 7.9	5.2 4.5	7.1 6.6	4.4 3.8	6.3 5.6	3.8 3.3	5.2 4.3	3.0 2.6	4.4 3.1	2.2 1.9	2.6 2.6	2.0 1.8
0	a b	7.2 7.2	7.2 6.4	9.2 7.6	5.0 4.3	7.9 6.4	4.2 3.7	7.0 5.4	3.7 3.2	5.7 4.2	2.9 2.5	4.5 3.1	2.2 1.9	-	-
-1.5	a b	12.1 12.1	7.7 6.5	9.1 7.6	4.9 4.2	8.0 6.3	4.2 3.6	7.1 5.4	3.6 3.1	5.8 4.2	2.9 2.5	-	-	-	-
-3	a b	10.9 10.9	7.8 6.6	8.3 7.7	5.0 4.3	7.3 6.4	4.3 3.7	6.5 5.5	3.7 3.2	5.1 4.1	2.9 2.5	-	-	-	-

The stated maximum payload volume in metric tons (t) include a stability margin of 33 % or are calculated at 87 % of the hydraulic lifting force in accordance with ISO 10567 standard. These values apply at the jib end when the boom-jib system is in the optimal position.

a = dozer lowered, b = in travel position, q = laterally, l = longitudinally

ACCESSOIRES



Permitted bucket attachments for max. radius F

BUCKET	F 648	F 417	F 416
Capacity litres	1120	920	820
Width mm	1300	1100	1000
max. reach	6,0	6,5	7,0

stability acc. to ISO 10567, bulk weight 1.8 t/m³



ATLAS-TEREX GmbH
Stedinger Straße 324 · D-27751 Delmenhorst
Tel. ++49 (0)42 21 / 49 10 · Fax ++49 (0)42 21 / 49 12 13
www.atlas-terex.de · E-Mail: Info@atlas-terex.de

Dealer: