

MANISCOPIC

■ MT 932



- Lifting height : 9.00 m
- Capacity : 3200 kg
- Maximum forward reach : 6.58 m
- Torque convertor
- 4 wheel steer - 4 wheel drive

 **MANITOU**

MT 932

Lifting capacity3200 kg
 at 500 mm from forks heels.
 Tipping load
 at maximum reach :673 kg
 Tear out force with bucket
 to ISO 8313.....7400 daN

Lifting height :9.00 m
Times : unladen / loaded (in s)
 Lifting6.7/7.3
 Lowering5/4.7
 Simultaneous extension 1st and 2nd booms .12.2/13.3
 Simultaneous retraction 1st and 2nd booms.....8/7.6
 Time unladen (in s)
 Crowd2.8
 Dump2.3

Tyres
 400/80 - 24 TL 156 B

Forks (mm)
 Length.....1200
 Width x thickness.....125 X 45
 Maximum distance between forks.....1040
 Carriage rotation.....126°

Multidisc brakes - hydraulically assisted on both axes

PERKINS Engine
 Type1104C-44
 Capacity.....4 cyl. 4400 cm³
 Power at 2200 rpm :82 HP/61.5 kw
 (ISO/TR 14396)
 Maximum torque :302 Nm at 1400 rpm
 Direct injection
 Water cooling

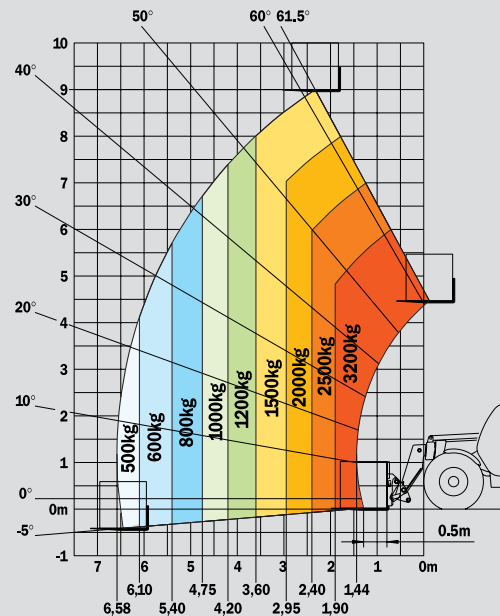
Transmission.....Torque Convertor
 Electro - Hydraulic reversing shift
 4 speeds forward and reverse
 Maximum travel speed.....25 km/h

Hydraulics
 Lifting/tilting pump
 gear type :240 bars/105 l/mn
 Flow divider with priority to steering and brakes.

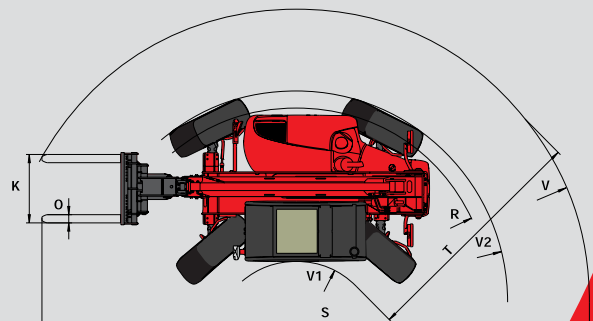
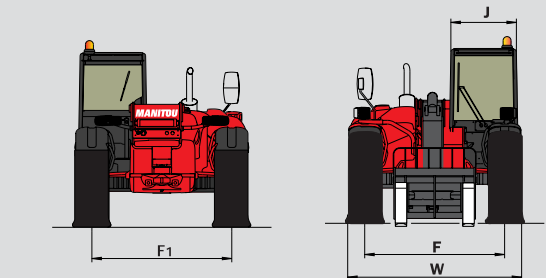
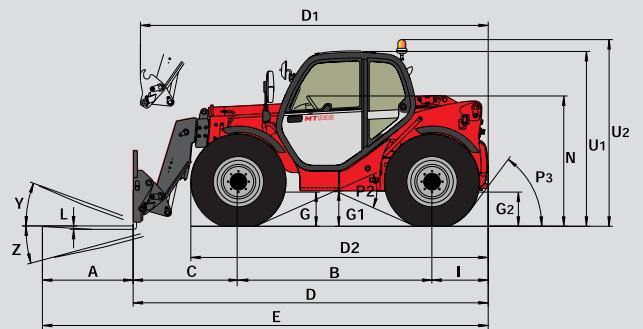
Capacities
 Cooling system18.5 l.
 Engine oil.....10.5 l.
 Hydraulic oil125 l.
 Transmission oil15.5 l.
 Fuel tank120 l.

Weight unladen (with forks)7640 kg
Overall width2.26 m
Overall height2.30 m
Turning radius (outside wheels)3.68 m
Overall length4.71 m
Ground clearance0.44 m
Drawbar pull.....8400 daN

Reach at maximum height : 2.35 m



Under prEN 1459 annexe B



A	1200
B	2560
C	1393
D	4716
D1	4811
D2	3908
E	5916
F	1846
F1	1846
G	455
G1	440
G2	440
I	763
J	865
K	1040
L	45
N	1690
O	125
P2	47.5°
P3	53°
R	3460
S	7541
T	3510
U1	2300
U2	2550
V	4760
V1	1250
V2	3668
W	2261
Y	11.9°
Z	113.7°

mm

This publication in no way constitutes an offer and the company reserves the right to alter specification without prior notice.
 The MANITOU models presented in this brochure can be supplied complete with optional equipment attachments.

