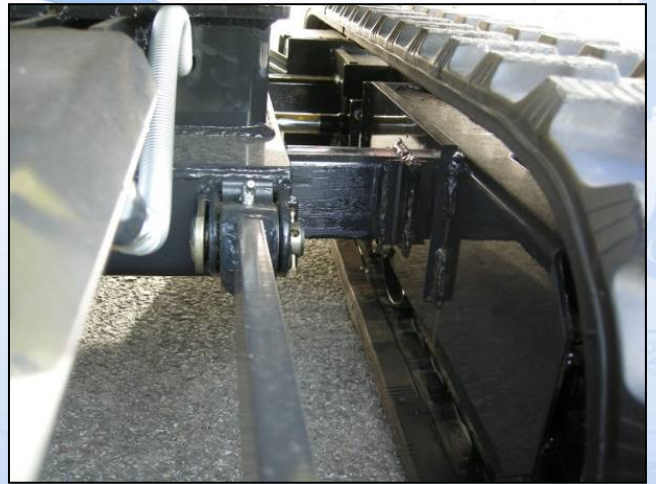


YANMAR

www.yanmar.fr

SV08-1 with sliding undercarriage



SV08-1S

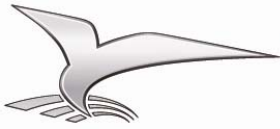
Operating weight : 1035 kg

Arm dig. force : 600 kgf

Bucket dig. force : 1015 kgf

Width : 730 – 840 mm

Digging depth : 1500 mm

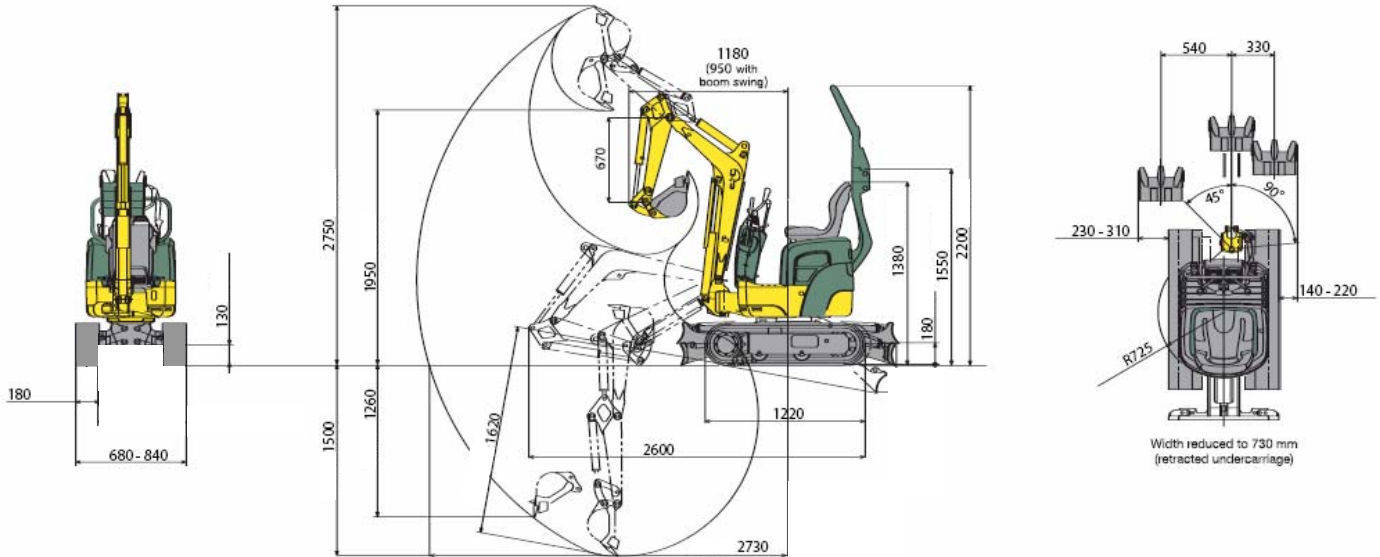


YANMAR

www.yanmar.fr

Operating weight +/-2% :

1035 kg



Subject to any technical modifications.
Dimensions given in mm with standard Yanmar bucket.

LIFTING CAPACITY SV08-1 WITH SLIDING UNDERCARRIAGE

LIFT POINT HEIGHT	LIFT RADIUS in mm				LIFT RADIUS in mm				LIFT RADIUS in mm			
Height in mm	RATED LIFT CAPACITY OVER END				RATED LIFT CAPACITY OVER END				RATED LIFT CAPACITY OVER SIDE			
	MAX	2000	1500	MIN	MAX	2000	1500	MIN	MAX	2000	1500	MIN
2000	220	-	-	-	190	-	-	-	170	-	-	-
1500	220	220	270	-	150	190	240	-	130	150	220	-
1000	230	260	350	490	130	170	250	340	110	150	220	290
500	240	300	470	590	130	170	250	310	110	140	210	240
0	240	320	480	630	120	170	230	310	110	140	200	240
-500	260	280	430	-	160	170	250	-	130	140	200	-
-1000	230	-	-	-	230	-	-	-	210	-	-	-

Machine with rubber crawlers and 350 mm bucket (16.5 kg).



Retracted undercarriage to allow easier manoeuvre through obstacles



Extended undercarriage for better stability