

# CASE

CONSTRUCTION

## SKID STEER LOADERS

SR130 | SR150 | SR175 | SV185 | SR200 | SR220 | SV250  
SR250 | SV300



# SKID STEER LOADERS

SR130 | SR150 | SR175 | SV185 | SR200 | SR220 | SV250 | SR250 | SV300

## Big on power, big on comfort

Whatever your job, Case has a skid steer loader that can handle it. Our new extended line-up of skid steer loaders delivers:

- More power
- Increased stability
- Greater operator comfort and visibility
- Best-in-class serviceability
- Wide range of attachments







## Extended line-up

To deliver Case performance and productivity to an ever wider range of customers, Case Construction Equipment has expanded its skid steer loader line-up. The revised range includes six radial lift SR boom skid steers and three vertical lift SV models.



## Packaged power since 1969

Since the first model 1530 Uni-Loader, Case has built its reputation around power, productivity and reliability. This has been achieved through the introduction of innovative features such as the exclusive Ride Control and side lighting.

# SKID STEER LOADERS

SR130 | SR150 | SR175 | SV185 | SR200 | SR220 | SV250 | SR250 | SV300



## Case power stance delivers maximum stability

Our Power Stance chassis rides on a 21 percent longer wheelbase, delivering greater stability and comfort and allowing increased lifting capabilities, regardless of jobsite conditions.



**CHASSIS SUPPORTS PUSHING POWER!**

## Best-in-class breakout forces

The cylinder geometry optimises the skid steer loader's push and pull power, while the bucket support baring directly on the chassis of the machine further adds to its pushing power. With these features, Case skid steer loaders deliver best-in-class bucket and lift breakout forces.



## 25% wider cab

It's not just the range that has expanded: all models benefit from a cab with up to 25% more internal width, providing greatly improved operator comfort. Our cab - the widest in the industry - provides plenty of room for comfortable operation, with greater headroom and legroom, more space between the control levers and easy access to the seat.

## Leading operator comfort

The wide door, repositioned grab handles and a lower threshold provide easy access to the cab. All models have suspension seats and optional air suspension heated seats for the ultimate in comfort. If specified with full cab glazing and door, the cab is completely sealed to reduce the amount of noise and dust.



# SKID STEER LOADERS

SR130 | SR150 | SR175 | SV185 | SR200 | SR220 | SV250 | SR250 | SV300



## 360-degree visibility

The 89 cm wide cab together with larger windows and a new ultra-narrow wire side-screen provide outstanding visibility all around the jobsite, allowing safer operation.

## Increased productivity and safety

The larger side windows offer visibility over the tyres and the forward cab design provide a clear line of sight to the cutting edge of the bucket improving both productivity and safety.





## Controls at your fingertips

All controls are within easy reach and you can choose between standard mechanical drive levers and electro-hydraulic controls.

**Optional Ride Control** provides superior stability and operating speeds, regardless of jobsite conditions.

**Optional Self Levelling** system keeps the bucket parallel to the ground when the loader arm is raised reducing material spillage and making pallet handling easier.



## Unique side lights

Working longer days even in winter is easy thanks to the unique Case side lighting system.



## Switchable Controls

With the electrohydraulic joysticks you can set the control pattern to match your preferences, switching between ISO- and H-patterns just by clicking one button.

# SKID STEER LOADERS

SR130 | SR150 | SR175 | SV185 | SR200 | SR220 | SV250 | SR250 | SV300



## Best-in-class serviceability

Easy access, daily service points grouped together and remote mounted filters mean it's easy to keep Case skid steer loaders working to their maximum efficiency.

## Convenient cab tilting

With just two retaining bolts, the cab is easy to tilt, providing access to hydraulic and transmission components when necessary. A safety locking system that prevents the cab from dropping is automatically activated.







## Smart battery and drain hoses access

Battery and environmental drain hoses are easily accessible from the side of the machine, by removing a tap located behind the rear wheel, allowing quick service and fast maintenance activities.

# SKID STEER LOADERS

SR130 | SR150 | SR175 | SV185 | SR200 | SR220 | SV250 | SR250 | SV300



## An attachment for every job

Case skid steer loaders can handle a broad range of attachments, providing outstanding versatility to serve a broad range of industries.



## Connect Under Pressure (CUP)

The CUP standard feature allows you to connect tool hoses without a wrench.

## Handle attachments easily!

**Hydraulic Coupler Option:** An optional hydraulic attachment coupler increases both operator comfort and uptime on the job site since attachments can be exchanged quickly and safely without leaving the cab.





**WHEEL EXCAVATOR**



**WHEEL COMPACTOR**



**ASPHALT FLOAT**



**PLANER**



**BROOM BUCKET**



**BACKHOE**



**CEMENT MIXER**



**COMPACTION ROLLER**

# SKID STEER LOADERS

SR130 | SR150 | SR175 | SV185 | SR200 | SR220 | SV250 | SR250 | SV300



PALLET FORK



HAMMER



AUGER



FARM FORK



FORK & GRAPPLE



BALE SPIKE



HIGH TIP BUCKET



4X1 MULTIPURPOSE BUCKET

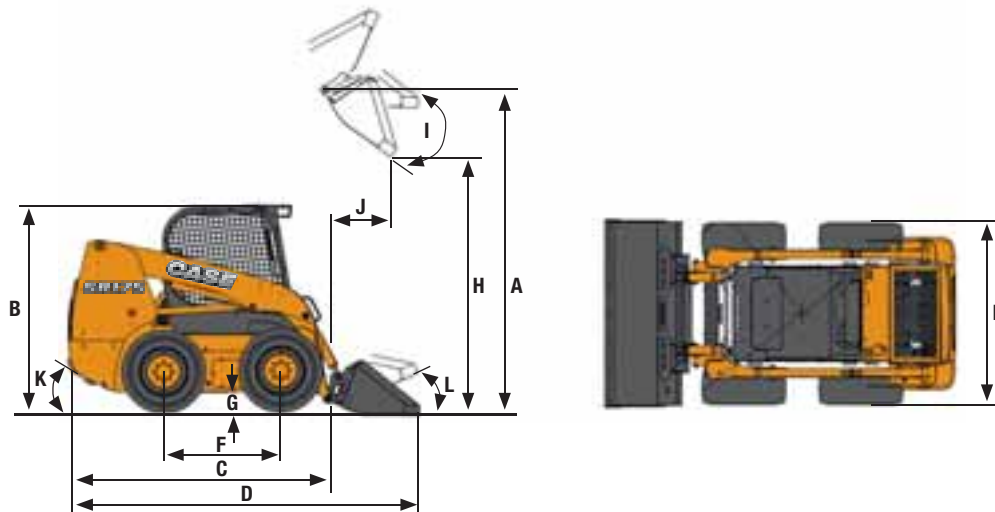


WIDE RANGE OF BUCKETS



Attachment	Application	Width (mm)	Depth (mm)	Weight (kg)	Flow	Compatible Model
<b>Wheel Excavator</b>	Trenching jobs on hard, compact materials like asphalt and concrete, digging trenches on roads or in areas where movement is restricted.	Wheel width				
		130	150 - 450	1.155	High	SR200 and bigger
		130	200 - 600	1.260	High	SR175 / SV185 / SR200
<b>Wheel Compactor</b>	Compacting the bed of a trench before adding an asphalt surface layer.	Wheel width				
		200 - 250	0 - 750	550	Std	SR200 and bigger
		- 300 350				
		- 400				
<b>Asphalt Float</b>	Backfilling of trenches and widening road surface while maintaining the road's original gradient.	1900	N.A.	620	Std	SR175 and bigger
<b>Planer</b>	Planing on asphalt or concrete.	350	0 - 110	590	Std	SR175 and bigger
	Overlaying road, industrial and courtyard surfaces.	450	0 - 150	790	High	SR175 / SV185 / SR200
	Maintenance of stretches of road.	600	0 - 170	950	High	SR200 and bigger
	Restoration of damaged, bumpy or worn surfaces.	1.000	0 - 130	1.090	High	SR200 and bigger
<b>Broom Bucket</b>	Clearing yards, roads, footpaths, etc. Also efficient for snow clearance.	1.525		225		SR130 / SR150
		1.680		278		SR175 / SV185 / SR200
		1.850		460		SR175 / SV185 / SR200
						/ SR220 / SV250 / SR250 / SV300
		2.080		522		SR220 and bigger
<b>Backhoe</b>	Creation of trenches, foundations, drain and irrigation channels, etc. in private or public constructions, both for new or maintenance jobs	1.500	2.275	700	Std	SR200 and smaller
		1.500	3.000	790	Std	SR175 and bigger
		1.500	3.500	860	Std	SR220 and bigger
<b>Cement Mixer</b>	Production of cement for civil construction in isolated or difficult-to-access areas, or with limited availability of electric energy	1.250	200	280	Std	SR130; SR150
		1.500	300	300	Std	SR175 and bigger
		1.660	350	380	Std	SR200 and bigger
		1.700	400	450	Std	SR250 and bigger
<b>Compaction Roller</b>	Ground preparation through compaction of earth, gravel, sand, etc.	1100	N.A.	787	Std	All
<b>Pallet Fork</b>	Handling of palletizes loads.	Forks length		160		SR200 and smaller
		1.000		164		SR200 and smaller
		1.100		168		All
		1.200				
<b>Hammer</b>	Concrete demolition jobs, trenching and general excavation work			160	Std	SR130 / SR150
				210	Std	SR130 / SR150
				275	Std	SR175 and bigger
				370	High	SR220 and bigger
				505	High	SR220 and bigger
<b>Auger (std flow)</b> <b>Auger (high flow)</b>	Boring of holes in the ground such as telegraph poles, electricity pylons, signposts, metallic frame pillars, tree and shrub planting	760	1.200	20 - 175	Std	All
		900	1.200	30 - 225	High	SR175 and bigger with High Flow
<b>Farm Fork</b>	General farm yard applications	1.525		153		SR130; SR150
		1.680		170		SR175 / SV185 / SR200
		1.850		185		SR175 / SV185 / SR200
						/ SR220 / SV250 / SR250 / SV300
		2.080		242		SR220 and bigger
<b>Fork &amp; Grapple</b>	"Mucking out" bale and silage handling. Also suitable for industrial applications	1.525		250		SR130; SR150
		1.680		260		SR175 / SV185 / SR200
		1.850		310		SR175 / SV185 / SR200
						/ SR220 / SV250 / SR250 / SV300
		2.080		380		SR220 and bigger
<b>Bale Spike</b>	Handling of round bales	980		79		All
<b>High Tip Bucket</b>	Increase dump height by 800 to 1.200 mm	1.525		364		SR130 / SR150
		1.680		285		SR175 / SV185 / SR200
		1.850		352		SR175 / SV185 / SR200
						/ SR220 / SV250 / SR250 / SV300
		2.080		496		SR220 and bigger
<b>4X1 Multipurpose Bucket</b>	Applications as conventional bucket, grab for back filling or as a dozer	1.525		253		SR130 / SR150
		1.680		283		SR175 / SV185 / SR200
		1.850		340		SR175 / SV185 / SR200
						/ SR220 / SV250 / SR250 / SV300
		2.080		435		SR220 and bigger
<b>Wide range of Buckets</b> (Dirt&Foundry; Low Profile; Low Profile Extended, Heavy Duty, Manure/Slurry; Light Material)	Digging, excavating, grading, material handling	1.525				SR130 / SR150
		1.680				SR175 / SV185 / SR200
		1.830				SR175 / SV185 / SR200
		1.850				SR220 / SV250 / SR250
		2.080				/ SV300 SR220 and bigger

# General dimensions



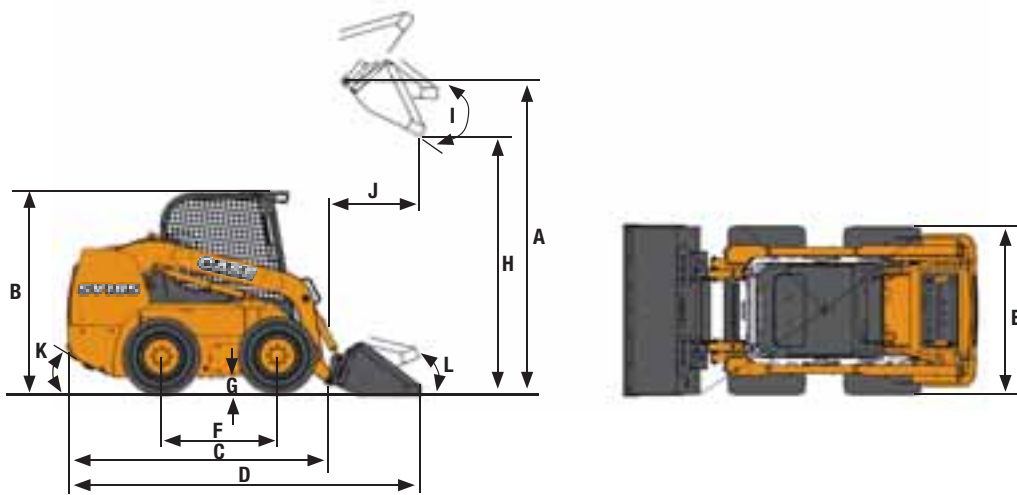
	SR130	SR150	SR175	SV185	SR200
A - Height to Bucket Hinge Pin	2.845 mm	2.845 mm	3.099 mm	3.048 mm	3.124 mm
B - Height to Top of ROPS	1.919 mm	1.919 mm	1.974 mm	1.974 mm	1.998 mm
C - Length without attachment	2.435 mm	2.435 mm	2.685 mm	2.710 mm	2.669 mm
D - Length with bucket *	3.028 mm	3.028 mm	3.305 mm	3.345 mm	3.292 mm
E - Overall Width	1.518 mm	1.518 mm	1.678 mm	1.678 mm	1.755 mm
F - Wheelbase	941 mm	941 mm	1.128 mm	1.128 mm	1.128 mm
G - Ground Clearance	178 mm	178 mm	178 mm	178 mm	203 mm
H - Dump height *	2.246 mm	2.246 mm	2.470 mm	2.377 mm	2.495 mm
I - Dump Angle	40°	40°	40°	52°	40°
J - Dump Reach @ Max Height	469 mm	469 mm	542 mm	783 mm	517 mm
K - Angle of Departure	22°	22°	23°	23°	25°
L - Rollback Angle (Bucket on Ground)	26°	26°	32°	35°	31°

\* With D&F Bucket

## Specifications

	SR130	SR150	SR175	SV185	SR200
<b>PERFORMANCE SPECS</b>					
Rated Operating Capacity 50%	590 kg	680 kg	790 kg	840 kg	905 kg
ROC with counterweights 50%	635 kg	725 kg	835 kg	885 kg	950 kg
Tipping Load	1.179 kg	1.361 kg	1.588 kg	1.678 kg	1.814 kg
Lift Cylinder Breakout Force	19,0 kN	19,0 kN	21,3 kN	12,2 kN	27,3 kN
Bucket Cylinder Breakout Force	18,5 kN	18,5 kN	31,8 kN	24,2 kN	31,8 kN
<b>ENGINE</b>					
Displacement	2,0 l	2,0 l	2,2 l	2,2 l	3,2 l
Horsepower	46 hp @ 2.900 rpm	52 hp @ 2.900 rpm	60 hp @ 2.900 rpm	60 hp @ 2.900 rpm	74 hp @ 2.500rpm
Peak torque	130,5 Nm @1.750 rpm	148 Nm @ 1.750 rpm	171 Nm @ 1.800 rpm	171 Nm @ 1.800 rpm	275 Nm @ 1.400 rpm
<b>TRAVEL SPEED</b>					
Low Range	10,8 km/h	10,8 km/h	11,9 km/h	11,9 km/h	11,6 km/h
High Range (Optional)	NA	NA	18,5 km/h	18,5 km/h	19,2 km/h
<b>HYDRAULIC SYSTEM</b>					
Pump flow	59 LPM	59 LPM	72 LPM	72 LPM	85 LPM
Optional high flow	N/A	N/A	108 LPM	108 LPM	116 LPM
Relief Pressure	207 bar	207 bar	207 bar	207 bar	207 bar
<b>WEIGHTS</b>					
Operating Weight	2.270 kg	2.400 kg	2.812 kg	2.950 kg	3.130 kg
Shipping Weight	2.130 kg	2.270 kg	2.675 kg	2.810 kg	2.995 kg
<b>SERVICE CAPACITY</b>					
Fuel Tank	60,5 l	60,5 l	75,5 l	75,5 l	75,5 l





	SR220	SV250	SR250	SV300
A - Height to Bucket Hinge Pin	3.175 mm	3.302 mm	3.175 mm	3.302 mm
B - Height to Top of ROPS	2.002 mm	2.002 mm	2.002 mm	2.002 mm
C - Length without attachment	2.981 mm	2.990 mm	2.981 mm	2.990 mm
D - Length with bucket *	3.611 mm	3.604 mm	3.611 mm	3.604 mm
E - Overall Width	1.768 mm	1.768 mm	1.768 mm	1.768 mm
F - Wheelbase	1.322 mm	1.322 mm	1.322 mm	1.322 mm
G - Ground Clearance	203 mm	203 mm	203 mm	203 mm
H - Dump height *	2.558 mm	2.615 mm	2.558 mm	2.615 mm
I - Dump Angle	38°	54°	38°	54°
J - Dump Reach @ Max Height	495 mm	744 mm	575 mm	744 mm
K - Angle of Departure	24°	24°	24°	24°
L - Rollback Angle (Bucket on Ground)	31°	35°	31°	35°

\* With D&F Bucket

	SR220	SV250	SR250	SV300
<b>PERFORMANCE SPECS</b>				
Rated Operating Capacity 50%	1.000 kg	1.225 kg	1.225 kg	1.360 kg
ROC with counterweights 50%	1.090 kg	2.268 kg	2.268 kg	1.450 kg
Tipping Load	1.996 kg	22,6 kg	27,2 kg	2.722 kg
Lift Cylinder Breakout Force	27,2 kN	38,2 kN	38,2 kN	22,6 kN
Bucket Cylinder Breakout Force	38,2 kN	38,2 kN	38,2 kN	38,2 kN

	SR220	SV250	SR250	SV300
<b>ENGINE</b>				
Displacement	3,2 l	3,2 l	3,2 l	3,2 l
Horsepower	82 hp @ 2.500 rpm	82 hp @ 2.500 rpm	90 hp @ 2.500 rpm	90 hp @ 2.500 rpm
Peak torque	305 Nm @ 1.400 rpm	305 Nm @ 1.400 rpm	340 Nm @ 1.400 rpm	340 Nm @ 1.400 rpm

	SR220	SV250	SR250	SV300
<b>TRAVEL SPEED</b>				
Low Range	12,1 km/h	12,1 km/h	12,1 km/h	12,1 km/h
High Range (Optional)	19,8 km/h	19,8 km/h	19,8 km/h	19,8 km/h

	SR220	SV250	SR250	SV300
<b>HYDRAULIC SYSTEM</b>				
Pump flow	85 LPM	85 LPM	85 LPM	85 LPM
Optional high flow	131 LPM	131 LPM	131 LPM	131 LPM
Relief Pressure	207 bar	207 bar	207 bar	207 bar

	SR220	SV250	SR250	SV300
<b>WEIGHTS</b>				
Operating Weight	3.350 kg	3.630 kg	3.490 kg	3.765 kg
Shipping Weight	3.200 kg	3.475 kg	3.340 kg	3.610 kg

	SR220	SV250	SR250	SV300
<b>SERVICE CAPACITY</b>				
Fuel Tank	96,5 l	96,5 l	96,5 l	96,5 l

# Tyre options

FUNCTIONAL VARIANTE	TYRE DESCRIPTION	SR130	SR150	SR175	SV185	SR200	SR220	SV250	SR250	SV300
8501207	10x16.5 HEAVY DUTY 590TW	X	X							
8501307	10x16.5 PREMIUM 590TW	X	X							
8501407	10x16.5 PREMIUM LINER 590TW	X	X							
8501507	27x10.5-15 PREMIUM 640TW	X	X							
8501707	10x16.5 HEAVY DUTY 640TW			X	X	X				
8501807	10x16.5 PREMIUM 640TW			X	X	X				
8501907	10x16.5 PREM-LIN 640TW			X	X	X				
8502007	10x16.5 SEVERE DUTY640TW			X	X	X				
8502107	10x16.5 NON-PNEUMATIC 640TW			X	X	X				
8503107	12x16.5 HEAVY DUTY 700TW			X	X	X	X	X	X	X
8503207	12x16.5 PREMIUM 700TW			X	X	X	X	X	X	X
8503307	12x16.5 PREMIUM LINER 700TW			X	X	X	X	X	X	X
8503407	12x16.5 SEVERE DUTY700TW					X	X	X	X	X
8503507	12x16.5 MINING 700TW					X	X	X	X	X
8503607	12x16.5 NON-PNEUMATIC 700TW					X	X	X	X	X
8505007	33x15.5 FLOTATION 760TW					X	X	X	X	X
8505107	14x17.5 PREMIUM 760TW						X	X	X	X



HEAVY DUTY

PREMIUM & PREMIUM W/LINER

SEVERE DUTY

NON-PNEUMATIC

MINING

FLOTATION

## Worldwide Case Construction Equipment Contact Information

**EUROPE:**  
via Plava, 80  
10135 TORINO - ITALIA

**AFRICA/MIDDLE EAST/CIS:**  
Riva Paradiso 14  
6902 Paradiso - SWITZERLAND

**NORTH AMERICA/MEXICO:**  
700 State Street  
Racine, WI 53404 U.S.A.

**LATIN AMERICA:**  
Av. General David Sarnoff 2237  
32210 - 900 Contagem - MG  
Belo Horizonte BRAZIL

**ASIA PACIFIC:**  
Unit 1 - 1 Foundation Place - Prospect  
New South Wales - 2148 AUSTRALIA

**CHINA:**  
No. 29, Industrial Premises, No. 376.  
De Bao Road, Waigaoqiao Ftz, Pudong,  
SHANGHAI, 200131, P.R.C.

## CASE Construction Equipment

CNH UK Ltd  
Unit 4,  
Hayfield Lane Business Park,  
Field Lane, Auckland,  
Doncaster,  
DN9 3FL  
Tel. 00800-2273-7373  
Fax +44 1302 802829

**CASE Customer Assistance**  
**00800-2273-7373**

The call is free from a land line. Check in advance with your Mobile Operator if you will be charged.



NOTE: Standard and optional fittings can vary according to the demands and specific regulations of each country. The illustrations may include optional rather than standard fittings - consult your Case dealer. Furthermore, CNH reserves the right to modify machine specifications without incurring any obligation relating to such changes.

Conforms to directive 98/37/CE



Test it at the CASE Customer Centre Paris!

[www.casece.com](http://www.casece.com)

