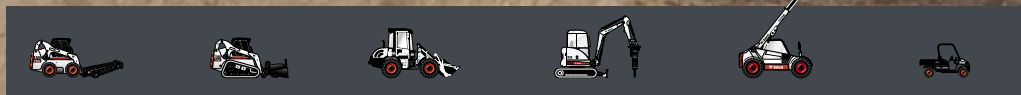




Bobcat[®]

E80

Compact Excavators



Standard Features

| | |
|--|--|
| 2300 mm dozer blade | Consoles with forwards/backwards adjustable displacement |
| 450 mm steel track | Boom load holding valve |
| Engine/hydraulic monitor with shutdown | Harness for rotating beacon |
| Fingertip auxiliary hydraulic controls | Fully adjustable air conditioning |
| Control console locks | Overload warning device |
| Hydraulic joystick controls | Sun visor |
| Two-speed travel | Left rear view mirror |
| Storage compartment | Electric refueling pump |
| Horn | Auto idle |
| Three work lights | Second auxiliary hydraulic line (Rotation piping) |
| Seat belt | Warranty: 12 months, 2000 hours |
| Adjustable suspension seat with high back and lumbar support | |

Weights

| | |
|--|---------|
| Operating weight with canopy | — kg |
| Operating weight with cab | 8380 kg |
| Additional weight for long dipperstick | 58 kg |
| Reduction for rubber tracks | 50 kg |

Engine

| | |
|--------------------------------------|-----------------------|
| Make / model | Yanmar / 4TNV98-ZWDB8 |
| Fuel / Cooling | Diesel / Liquid |
| Bore / Stroke | 98 mm / 110 mm |
| Maximum power at 2000 RPM (DIN 6271) | 40.4 kW |
| Maximum torque at 1300 RPM | 227–248 Nm |
| Number of cylinders | 4 |
| Displacement | 3.3 l |

Performance

| | |
|---|----------------|
| Digging force, standard dipperstick | 40900 N |
| Digging force, long dipperstick | 34100 N |
| Digging force, bucket | 54600 N |
| Drawbar pull | — N |
| Travel speed, low range | 2.9 km/h |
| Travel speed, high range | 4.6 km/h |
| Maximum digging depth, standard dipperstick | 4150 mm |
| Maximum digging depth, long dipperstick | 4675 mm |

Hydraulic System

| | |
|--|--|
| Pump type | One engine-driven tandem axial piston pump and one engine-driven gear pump |
| Piston pump capacity | 144 l/min |
| Gear pump capacity | 22 l/min |
| Auxiliary flow | 120 l/min |
| System relief pressure for implement and travel circuits | 280 Bar |

Fluid Capacities

| | |
|--|---------|
| Cooling system | 4.2 l |
| Engine lubrication plus oil filter | 11.6 l |
| Fuel reservoir | 110.0 l |
| Hydraulic reservoir | 87.0 l |
| Hydraulic system with bucket and dipper cylinder retracted, bucket on the ground, and blade down | 127 l |

Controls

| | |
|-----------------------------|--|
| Steering | Direction and speed controlled by two hand levers or two foot pedals. |
| Auxiliary hydraulics | Electronic switch on the right hand joystick and foot pedal on the right side. |
| Second auxiliary hydraulics | Two electronic switches on the left hand joystick |

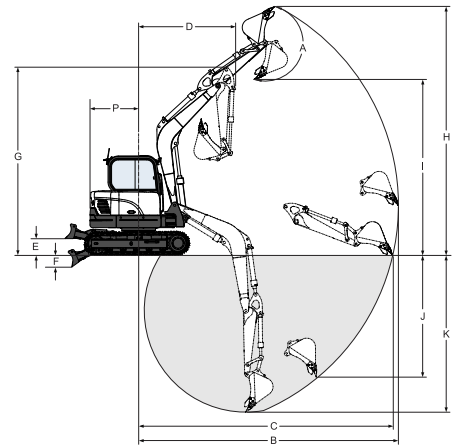
Slew System

| | |
|-------------------|---------|
| Boom swing, left | 70° |
| Boom swing, right | 55° |
| Slew rate | 9.6 RPM |

Traction

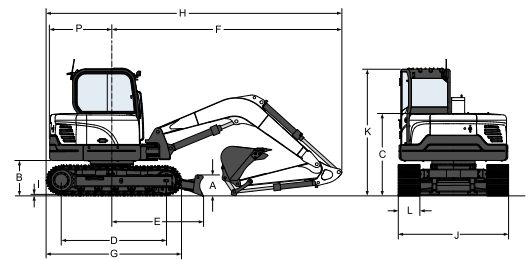
| | |
|--------------|--------|
| Track width | 450 mm |
| Gradeability | 25° |

Working Range



| | | | | | |
|-----|---------|-----|---------|-----|---------|
| (A) | —° | (E) | — mm | (I) | 5085 mm |
| (B) | 7480 mm | (F) | — mm | (J) | 4720 mm |
| (C) | 6965 mm | (G) | — mm | (K) | 3730 mm |
| (D) | 7295 mm | (H) | — mm | | |
| | | (I) | 7070 mm | | |
| | | (J) | 6715 mm | | |
| | | (K) | 2500 mm | | |

Dimensions



| | | | | | |
|-----|---------|-----|---------|-----|---------|
| (A) | 440 mm | (G) | 2823 mm | (M) | — mm |
| (B) | 737 mm | (H) | — mm | (N) | — mm |
| (C) | 1715 mm | (I) | 6167 mm | (O) | 2700 mm |
| (D) | 2200 mm | (J) | — mm | (P) | 2500 mm |
| (E) | 1912 mm | (K) | 2300 mm | (Q) | 1298 mm |
| (F) | — mm | (L) | 2638 mm | | — mm |
| | | | 450 mm | | |

Options

| | |
|---|----------|
| Rubber tracks | Long arm |
| Third auxiliary hydraulic line (Clamshell piping) | |

Attachments

| | |
|-----------------|-------------------|
| Auger | Hydraulic breaker |
| Digging bucket | Hydraulic clamp |
| Ditching bucket | Tilttable bucket |



www.bobcat.eu