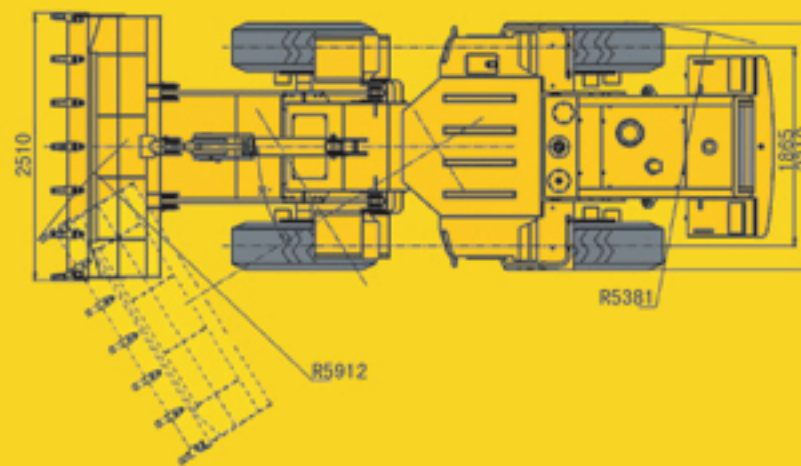
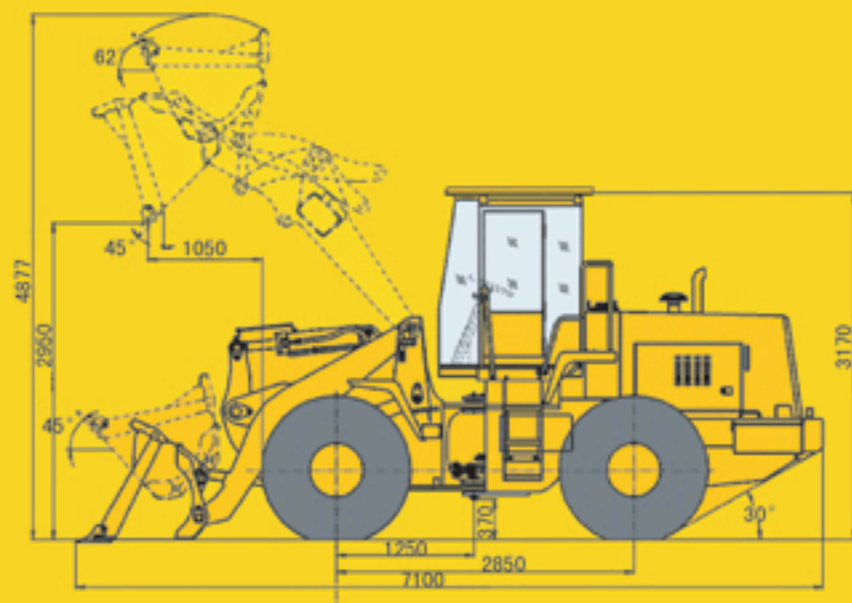


# LG936L Wheel loader·Standard equipment



## Main performance and parts specifications · Standard equipment

Item	Specifications	Item	Specifications
Overall working weight	10700kg	Max.speed	38km/h
Rated bucket capacity	1.8m <sup>3</sup>	<b>Front and rear axles</b>	
Rated load	3t	Main transmission type	Spiral gear, first stage decelerate
Max.tractive force	≥ 105kN	Final decelerate type	First stage, planetary gear decelerate
Max.breakout force	≥ 96kN	<b>Tyre</b>	
Max.gradeability	30°	Type specification	17.5 – 25
Max.dumping height	2950mm	Front tyre pressure	0.333~0.353 MPa
Dumping distance	1050mm	Rear tyre pressure	0.275~0.294 MPa
Overall dimension(L×W×H)	7100 × 2510 × 3170mm	<b>Steering system</b>	
<b>Engine</b>		Type	Articulated load-sensing hydraulic steering system
Model	TD226B-6	Steering angle	38° each side
Type	Inline, water cooling, 4-stroke	Min.turning radius	Outside of bucket    Outside of rear wheel
Number of cylinder-bore/stroke	6-Φ105×120mm	<b>Hydraulic system</b>	
Max.torque	500N.m	System working pressure	16 MPa
Rated power	92kW	Boom lifting time	≤ 5.3s
Rated speed	2200r/min	Total time	≤ 9.2s
Min.fuel-consume ratio	≤215 g/kW.h	<b>Brake system</b>	
<b>Transmission system</b>		Service brake	Air over hydraulic disc brake
Torque converter	Single phase, 4 elements, double turbo	Parking brake	Ait over hydraulic disc brake on 4
Modulus of converter	4.56	<b>Fill capacity</b>	
Transmission	Planetary power shift	Fuel	140L
Gear shift	2 forward , 1 reverse	Hydraulic oil	128L

Any change about the specifications won't be announced, some pictures might not be the standard equipments of the model.