



Paload
by Palazzani

TECHNICAL SHEET PT82S

PT 82

TELESCOPIC ARTICULATED LOADER

ENGINE

Complies with European Directive Model	97/68 CE - STAGE 3
Max. power ISO TR14396	Perkins 1104D - 44TA
Regimen adjusted	HP - kW 124 - 91
Power adjusted CEE 80/1269	rpm 2200
Power adjusted ISO 9249	HP - kW 118-87
Number of cylinders - injection	HP - kW 118-87
Injection	4 - direct
Intake	Direct and electronic
Displacement	Turbo feeded intercooler
Cooling	cc. 4400
Air filter with double protection	water
Electrical equipment	dry
Free maintenance battery	volt 12
Self regulated alternator	Ah 105
Fuel tank capacity	W 1020
	I 130

TRANSMISSION

Hydrostatic transmission at closed circuit, with automatic adjustment of power, axial pistons pump and engine at variable displacement
Inching pedal control.
Automatic selection of working speed.
2 forward and 2 backward speeds, electrical control on the steering wheel and on the joystick.

SPEED

		1st	2nd automatic
Forwards	Km/h	0 ÷ 9	0 ÷ 35
Backwards	Km/h	0 ÷ 9	0 ÷ 35

AXLES

With epicycloid reduction gears on all four driving wheels.

Front axle: rigid with automatic proportional self-locking differential.
Rear axle: oscillating of a 25° total range steering and automatic proportional self-locking differential.

BRAKES

Duty brakes: with hydraulic control and servobrake, autoregistrating multiple disks under oil bath.

Parking brakes: automatic negative brake with electro-hydraulic actioning on the front axle.

HYDRAULIC SYSTEM

Composed by: hydraulic gear pump, modular distributor with principal shock-proof and anticavitation valve.
Pressurised circuit.

Max pump capacity	100 l
Max pump pressure	225 Kg/cm ²
Loader lifting cylinder	Bore x Stroke 95 x 675 mm
Loader bucket cylinder	Bore x Stroke 100 x 494 mm
Hydraulic cycle time	10"
Oil tank capacity, circuit included	130 Kg

STEERING

Servoassisted, with hydroguide and articulated chassis. Total steering angle of 80°. The hydraulic system is "Load Sensing" equipped.

Steering radius interior tyres	2620 mm
Steering radius exterior tyres	4800 mm
Steering radius exterior bucket	5400 mm

TYRES

Standard:	driving type	15,5 x 25 radial
Optional:	narrow type	17,5 x 25 radial
Other models on request.		

LOADER

Single servocontrol lever for arm and bucket.
Floating element and electronic levelling of the bucket.
"Z" boom kinematism.

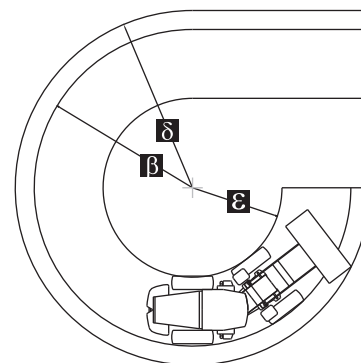
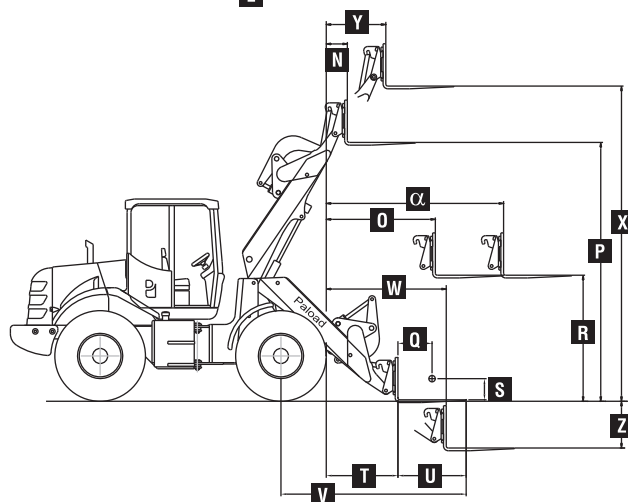
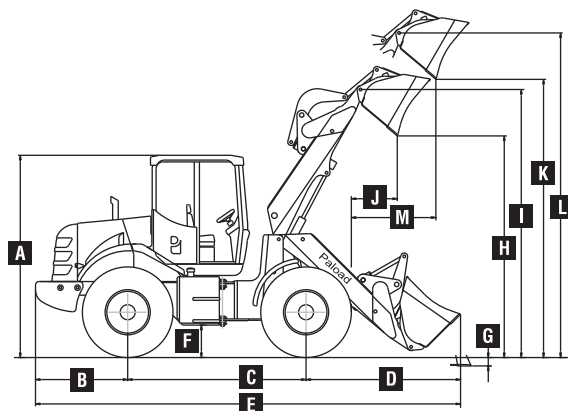
Standard bucket capacity	1,2 m ³
Standard bucket width	2200 mm
Breakout force	7500 kg
Lifting capacity at max height	3300 kg

DIMENSIONS AND WEIGHTS

Wheelbase	2650 mm
Front and rear track width	1790 mm
External tyres width	2194 mm
Bucket pin height	3930 mm
Unloading distance	700 mm
Bucket pin height (extended boom)	4755 mm
Unloading distance (extended boom)	1260 mm
Standard operating weight	8400 kg
Max operating weight	8700 kg

STANDARD EQUIPMENT

- > Loader servocontrol.
- > Automatic proportional self locking differential on front and rear axle.
- > Inching pedal control (transmission speed regulation).
- > Forks electro-hydraulic levelling.
- > Hydraulic servobrake.
- > Antipollution tank plugs.
- > Bucket with screwed teeth.
- > Reverse motion alarm.
- > Battery disconnecting switch.
- > Front and rear work lights.
- > Rotating lamp with magnetic fixing.
- > Shock absorbing and regulating "deluxe type" seat with safety belt.
- > Regulating steering wheel.
- > Heating plant.
- > Air filter in aspiration from outside.
- > Rotoform roof for cabin protection.
- > Front mudguards in rotoform.
- > Unified key for lock and starting.
- > Tool box.
- > Use and maintenance manual, spare parts catalogue.
- > Accessories for road circulation.
- > Road homologation for daily and night circulation.
- > CE Certification.



OPTIONAL EQUIPMENT

- > Hydraulic quick bucket connection.
- > Universal forks.
- > Enlarged bucket.
- > Extra enlarged bucket for light material.
- > 4:1 multipurpose bucket.
- > Paper and branches grab.
- > Bucket with sidely unloading.
- > Mixer bucket.
- > Wood grab.
- > Snow blade or snow plough.
- > Front rotating brush.
- > Teeth blade.
- > Asphalt concrete milling.
- > Air filter with top spin.
- > Electric brake on inch pedal.
- > Electronic weighing system.
- > Air conditioning.
- > Theft protection.
- > Radio.
- > Eco-Drive gear, 4 speeds forward and 2 reverse.

For other accessories and equipment, for characteristics and dimensions, please see the "equipment catalogue".
 PALOAD is a mark produced by Palazzani Industrie S.p.A.

OPERATIVE DATA

Tipping load with aligned machine (retracted boom)	Kg 5000
Tipping load in max articulated position (retracted boom)	Kg 4460
Tipping load with aligned machine (extended boom)	Kg 3000
Tipping load in max articulated position (extended boom)	Kg 2650
Operative load with forks (retracted boom) (80%)	Kg 3050
Operative load with forks (retracted boom) (60%)	Kg 2280
Operative load with forks (extended boom) (80%)	Kg 1900
Operative load with forks (extended boom) (60%)	Kg 1400

A	mm 2980	H	mm 3250	N	mm 475	U	mm 1000	β	mm 4800
B	mm 1315	I	mm 3930	O	mm 1400	V	mm 2400	δ	mm 5400
C	mm 2650	J	mm 700	P	mm 3800	W	mm 1790	ε	mm 2620
D	mm 2260	K	mm 4080	Q	mm 500	Z	mm 710		
E	mm 6225	L	mm 4755	R	mm 1600	X	mm 4625		
F	mm 500	M	mm 1260	S	mm 500	Y	mm 900		
G	mm 100			T	mm 740	α	mm 2635		

N C 303 A 05 Technical sheet PT 82 english Rev.02/2008



MACHINE IN CONFORMITY TO THE NEW MACHINES' STANDARDS We reserve the right to change technical data, so all characteristics are purely indicative. Pictures don't show necessarily the machine in standard version.

COMPANY WITH QUALITY MANAGEMENT SYSTEM CERTIFIED BY DNV =ISO 9001 : 2000=