



Perkins 1104D-E44TA max. power	116.9 kW/157 PS	
Performance characteristics T3028	106 kW/144 PS @ 2200 rpm	
Torque	556 Nm @ 1400 rpm	
Displacement	4400 ccm (268 cu inches)	
Emission standard	EC Standard 97/68/EC Stage 3A US EPA 40 CFR 89 Stage 3	
Starter	4.2 kW	
Alternator	85 A	
Battery	2x70 Ah - 760 A	
Sound pressure	L _{pA} 75 dB(A)	
Sound level	L _{WA} 99 dB(A)	
Cooling system	5-circuit cooling system	
Max. ambient temperature	46°C (115° F)	
Tank capacity diesel (tank/chassis tank)	396 l (120 l/276 l)	104.6 gal (31.7 gal/72.9 gal)
Hydraulic system capacity (tank)	200 l (140 l)	52.8 gal (37 gal)
Slewing rate (powerful/fast)	4 rpm; 9 rpm	
Slew torque	48000 Nm	
Rotation crown wheel	Module 10	
Working transverse to slope	70%	
Working longitudinally to slope	100%	
Turning circle	11 m (36' 1")	
Travelling speed (powerful/fast)	0-6 km/h; 0-10 km/h (0-4 mph; 0-6.2 mph)	
Climbing ability on roads up to	50%	
Tensile strength	69 kN (ISO 6015)	
Breakaway torque	92 kN (ISO 6015)	
Lifting power	3 m/55 kN (5.5 t)	9' 10"/55 kN
	5 m/28 kN (2.8 t)	16' 5"/28 kN
	7 m/16 kN (1.6 t)	22' 12"/16 kN
Weight	From 10'500 kg (23.170 lb)	
Cab	ROPS/FOPS DIN ISO 3471 and DIN 24090	

Options

S2 4x4 Gator	
Front tyres	52x20.5-20 (d=1280mm/4' 2"; b=525mm/1' 8") - STANDARD
Rear tyres	52x20.5-20 (d=1280mm/4' 2"; b=525mm/1' 8") - STANDARD
	600/50-22.5 (d=1170mm/3' 10"; b=600mm/1' 11")
	600/50-26.5 (d=1330mm/4' 4"; b=600mm/1' 11")

227052007

Technical changes are possible without further notice!

Dok-ID 93070C-

www.kaiser.li



KAISER AG Fahrzeugwerk
Vorarlbergerstrasse 220
LI-9486 Schaanwald

Phone +423-377 21 21
Fax +423-377 21 10
kaiserag@kaiser.li



Rugged design

Undercarriage

Solid undercarriage, large dimension bearings, surface treated bolts and bronze bushings guarantee maximum life span. Optimised weight distribution with low gravity center for maximum stability in difficult terrain. Well protected hose guides, generally integrated in steel.

Boom

Heavy Duty boom with long reach and excellent load lifting capacity, which can be fully utilized due to high stability. Centering fix for quick and easy bucket change. Solid connecting rod and shear. All bolts on boom screwed. Advertising board on left and right on boom. Boom piping arranged for optimal protection of hydraulic hoses. Five hydraulic connections for accessories such as hydraulic tilt bucket, hammer and grapple bucket.

Hydraulic cylinders

All boom cylinders are provided with end position damping and spherical joint bearing. Cylinders in undercarriage are provided with spherical joint bearings and hose fracture safety valves to ensure that the excavator maintains its position in the event of a failure.

Top performance

Slewing drive

Torque controlled 360° continuous slewing drive with 48kNm. Axial piston variable speed motor with two operating modes for fast (0-9 rpm) and powerful (0-4 rpm) slewing with maximum positioning accuracy. Two-speed planetary gearing with automatic disc brake in oil bath. Rugged ball bearing slewing ring module type 10 with hardened tooth profiles.

Drive

Closed hydraulic circuit with separate pump for maximum performance. Driving and working movements can be performed simultaneously. Precise handling through power control.

Axial piston variable speed motor with two operating modes for fast (0-10 km/h /0-6.2 mph) and powerful (0-6 km/h / 0-4 mph) driving with maximum handling precision.

Two-speed planetary gearing with disc brake in oil bath. The parking brake is manually operated via joystick for easy manoeuvrability.

Mobility

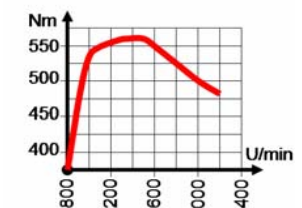
Maximum mobility with intelligent all-wheel steering kinematics. Small turning circle and excellent track precision over the entire adjustment range.

Precise movement in terrain without damage. Various steering modes displayable: Front wheel, rear wheel, all-wheel steering or dog steering. KAISER models can also be approved for road traffic use.

Engine

Perkins (CAT) 4-cyl. diesel engine, type 1104D-E44TA. 116.9 kW (157PS); 556 Nm at 1400 rpm. Electronically controlled; ACERT Common Rail injection system, exhaust standard 97/68/EC Stage IIIA or US EPA Stage 3. Control of injection system by original Perkins (CAT) ECU control system. The most powerful and high-torque diesel engine in its class, thanks to 4-valve technology.

Fig: Torque characteristic Perkins 1104D-E44TA



Electrical system

12V, battery 2x70Ah, alternator 85A, starter 4.2kW. Three working lights for excellent illumination. Horn, parallel wipers with washer/wiper system and parking position "Emergency stop switch", radio with CD. Electronic fan and engine management.

Cooling system

5-circuit cooling system for hydraulic oil, cooling water, charge air, diesel fuel and air conditioning. The electronic fan management ensures optimal temperatures at all times, reduces fuel consumption and maintains noise at a low level. Worldwide approval up to ambient temperatures of 46°C (115° F) at maximum power. Coarse and fine filters protect the easy to clean radiator.

Precise hydraulics

Bosch Rexroth LUDV Load Sensing Hydraulics. The system operates with a power-controlled swash plate axial piston pump.

Operating pressure 300 bar (4350 psi); 190 litres/min. (50 gal/min) for powerful movement. Regenerative function for fast and powerful movement, including priority control for slewing mechanism. Drive in 400 bar (5800 psi) closed circuit; 140litres/min. (37 gal/min) is operated via a swash plate axial piston pump.

The geared pump with a capacity of 45 litres/min. (12 gal/min) supplies the hydraulic fan, secondary flow filtration and cooling.

Maximum comfort

Control

Futura® joystick in an optimal ergonomic design for left and right-hand use; guaranteed functionality and reliability. All functions can be selected directly via the joystick, no release of the control necessary (brake, display switching and speed selection). Three ergonomically arranged pedals for actuating telescopic, driving and additional connection. Plenty of leg room and foot support options including foot rail.

Instrument panel

Instrument panel with multifunction display for all important operating states:

Engine speed, operating hour meter, hour meter, fuel gauge, hydraulic oil temperature, water temperature, alarm, battery charge indicator, engine oil pressure, emergency stop and overload display.

Toggle switch for speed selection, slewing fast/powerful, washer/wiper system, working light.

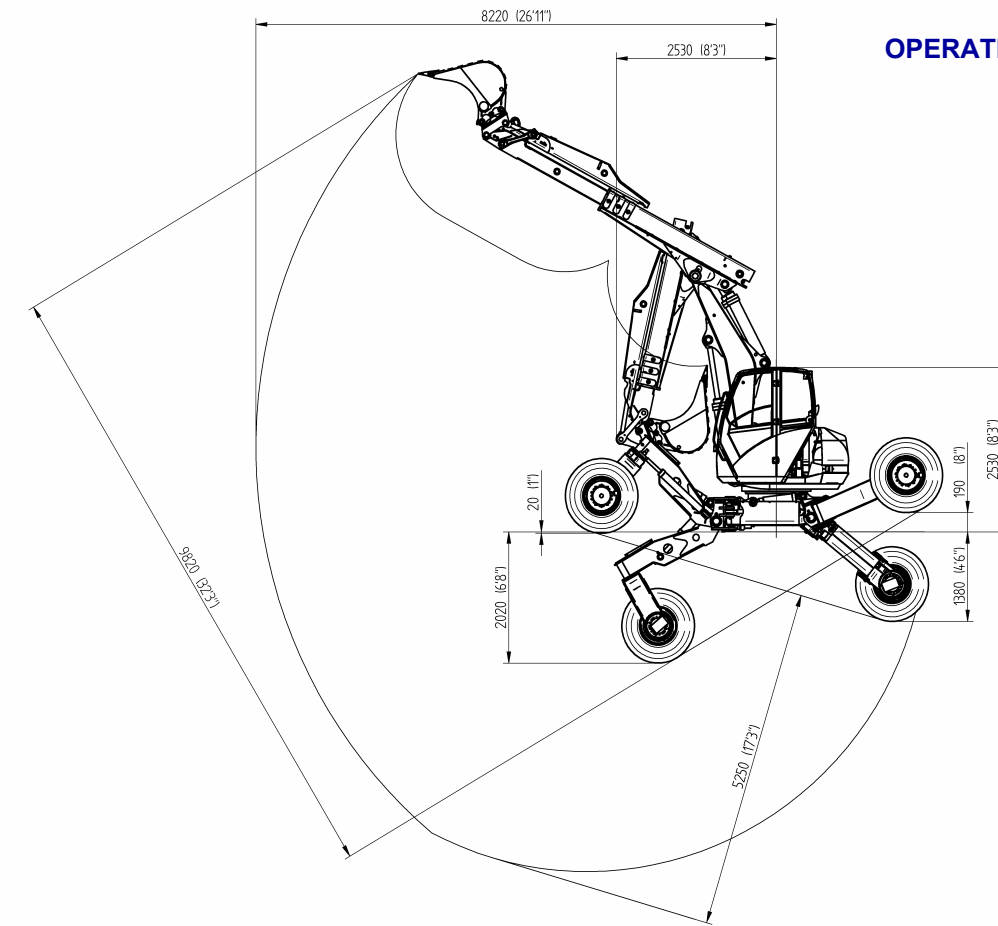
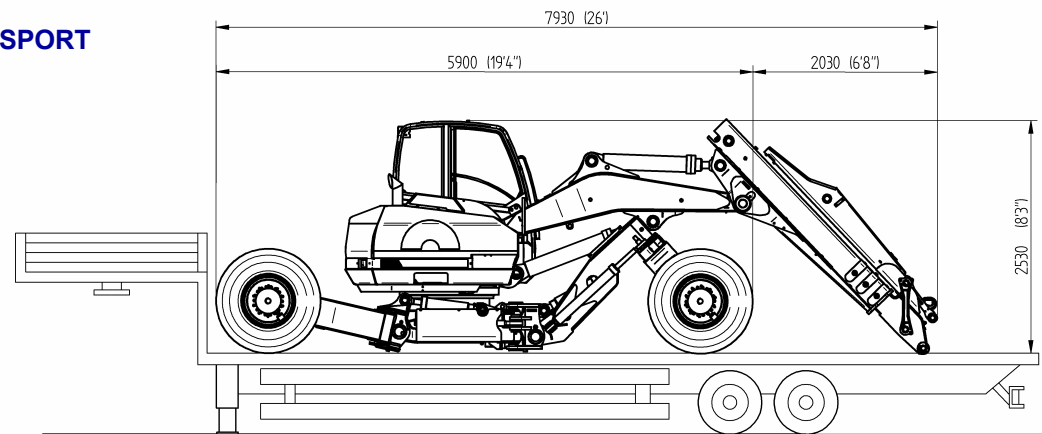
Cab

Comfortable, safety cab with wide door, clear all-round view and plenty of legroom. ROPS and FOPS test according to DIN ISO 3471 and DIN 24090. Continuous inward opening windshield, (without cross member) ensures clear all-round view. Glass roof for maximum visibility.

Low vibration and noise level due to hydraulic suspension and hermetic insulation (Engineered in cooperation with research Universities and Institutions). Air-suspension seat with high backrest and numerous adjustment options.

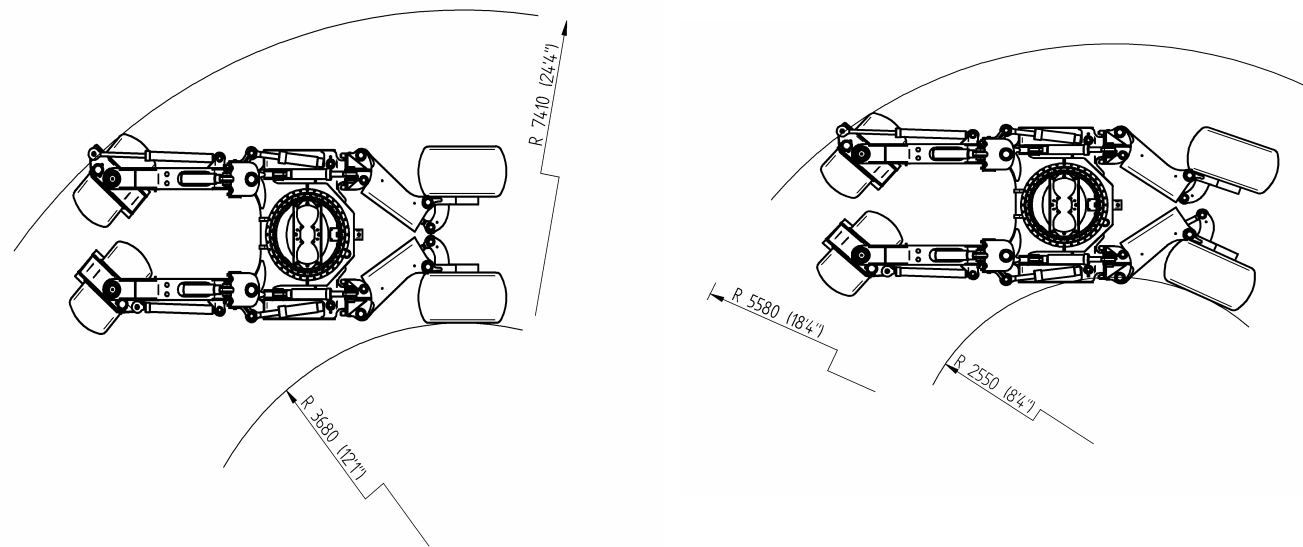
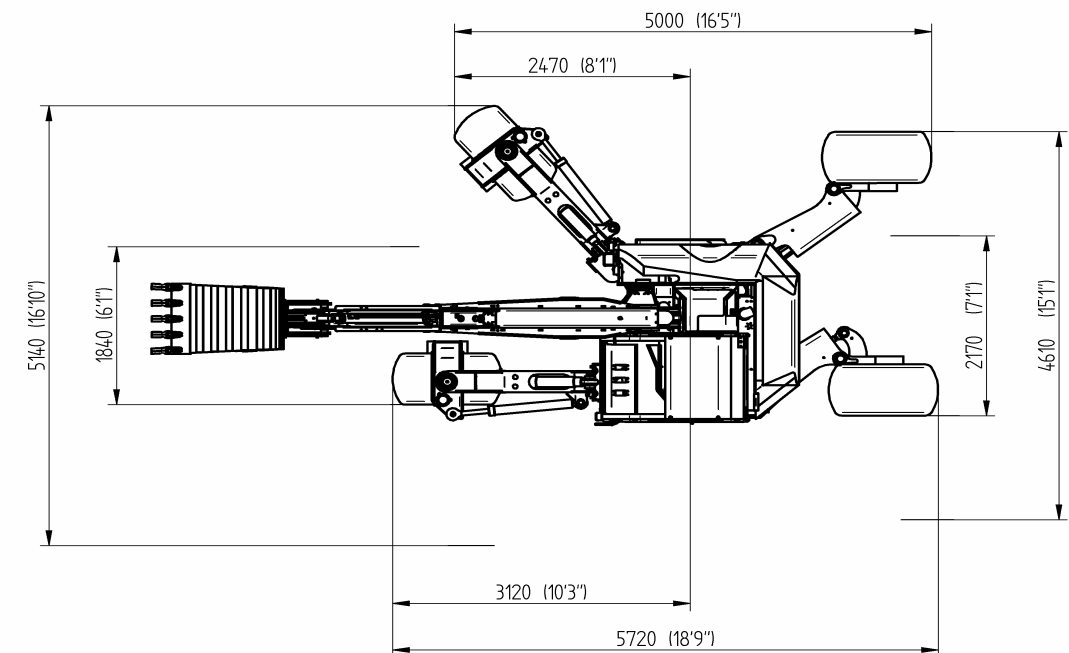
Roof sunblind.
Hydraulic one-hand cab tilting device.

TRANSPORT



OPERATING RANGE

ADJUSTMENT RANGE



WITHOUT ALL-WHEEL STEERING

WITH ALL-WHEEL STEERING